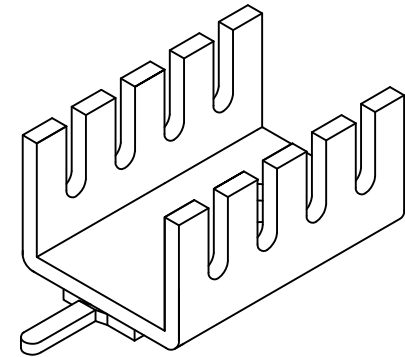
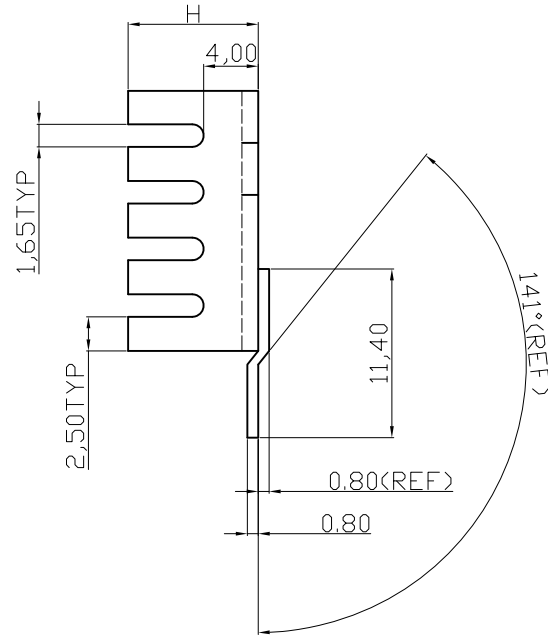


PIN MATERIAL:BRASS TIN PLATED



Notes
Material : ALUMINUM 1100 T=1.2
Finished : Black anodize

Option	H	Thermal resistance
④ V7237A	6.35	28
V7237B	9.53	24
V7237C	12.70	21

RoHS compliant
Unit: mm

Scale	FREE						Date	Name	Customer-No.	
TOLERANCE		⑤	Change production plant	31.10.2013	Amy	Drawn	08.03.2002	Hellwig	ASSMANN WSW-No. V7237x	
UNIT	±0.2	④	Add P/N	21.10.2013	A.Platt	Approved	31.10.2013	Andy		
		③	Modify drawing layout	10.03.2010	Alex					
DIM	TOL	②	Update	11.08.2009	Dean				Drawing-No.	
X.°	±X°	①	Drawn	08.03.2002	Hellwig				ASS 0513 HS	rev05
X.X°	±X°								Replace	Sheet
Angle	TOL	Id.	Modification	Date	Name					

1

2

3

4

5

6

7