

PRODUCT NO.

SEE TABLE

10085176 - XXX

LF

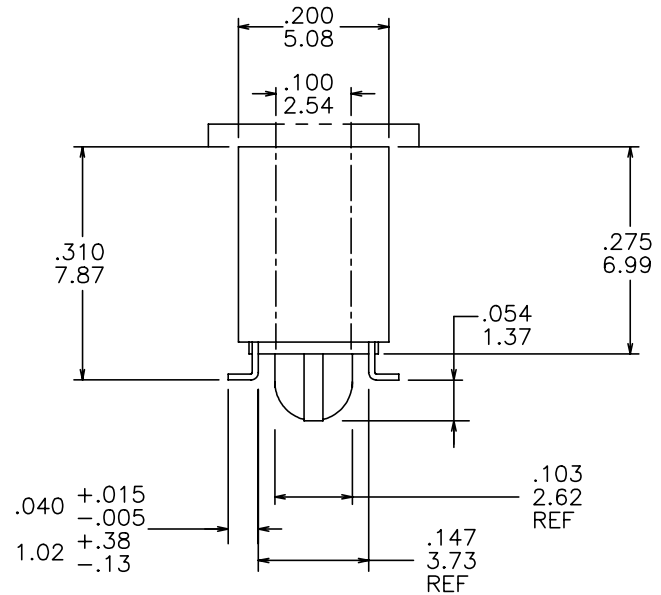
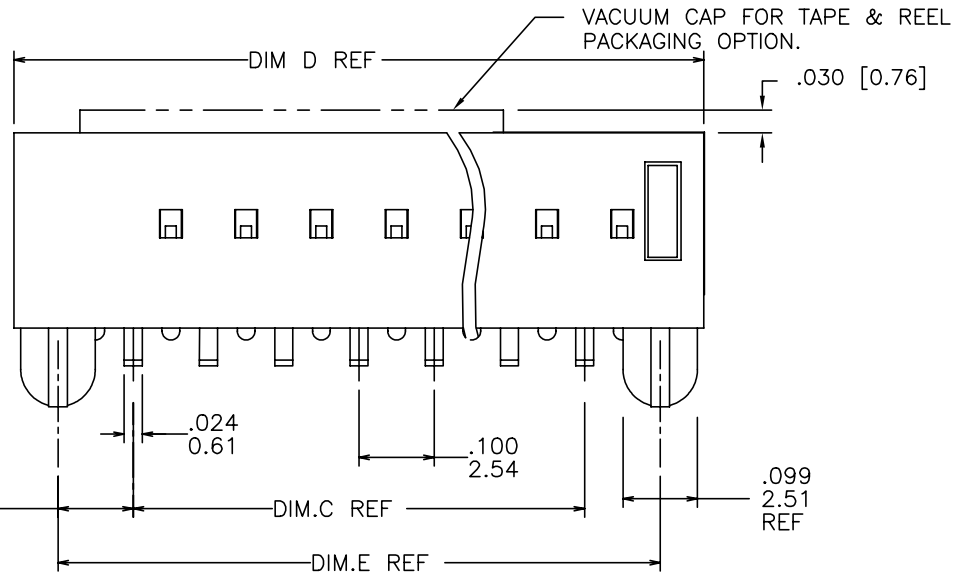
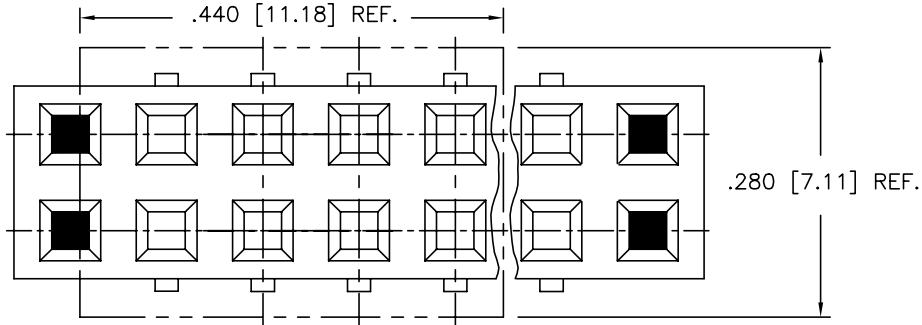
LEAD FREE

PACKAGING OPTION NOTE 8, OMIT IF NOT REQUIRED.

NO. OF POSITIONS PER ROW

PLATING CODE

BASE PART NUMBER



mat'l. code		surface		tolerance		projection		product family	
NOTES 1,3,8 & 12		ISO 1302 ✓		ISO 406		ISO 1101		DUBOX	
ltr	ecr	ndr	date	tolerances unless otherwise specified					
A	MO8-0072	MHT	2/17/07	XXX±.01/XXX±.03		INCH/MM		title	
B	ELX-N-14890	ZK	06/03/13	XXX±.0005/XXX±0.13		scale 1:1		SMT DOUBLE ROW	
				0°±2'		XXX±.0020/XXX±0.051		VCC ASSEMBLY	
				dr		M.HERNANDEZ		2/17/07	
				engr		A.LUGO		2/17/07	
				chr		A.LUGO		2/17/07	
				appd		A.LUGO		2/17/07	
sheet	revision	B	B	B	B	B	B	dwg no	
index	sheet	1	2	3	4	5	6	10085176	
								sheet 1 of 6	
								size	
								A3	
								type Product Customer Drawing	

PRODUCT NUMBER
SEE TABLE

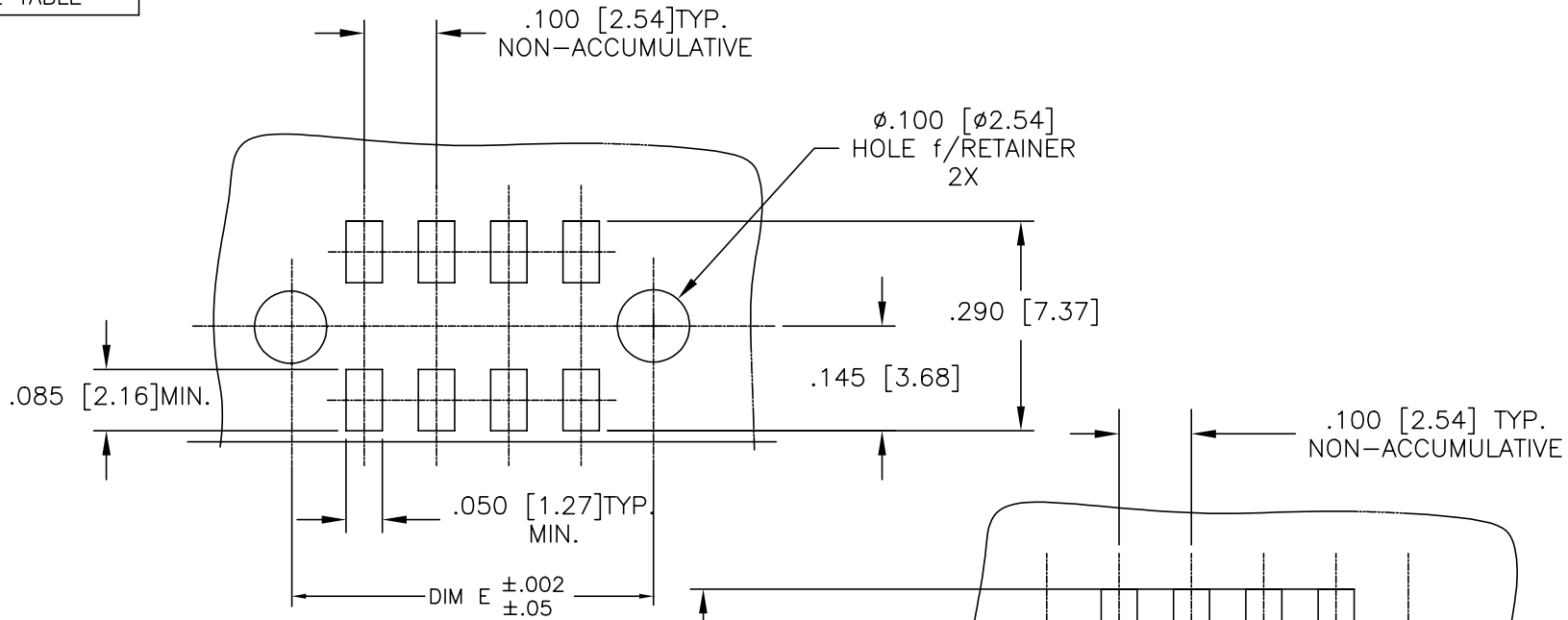


FIGURE A
TOP ENTRY
.025/.64 SQUARE PIN

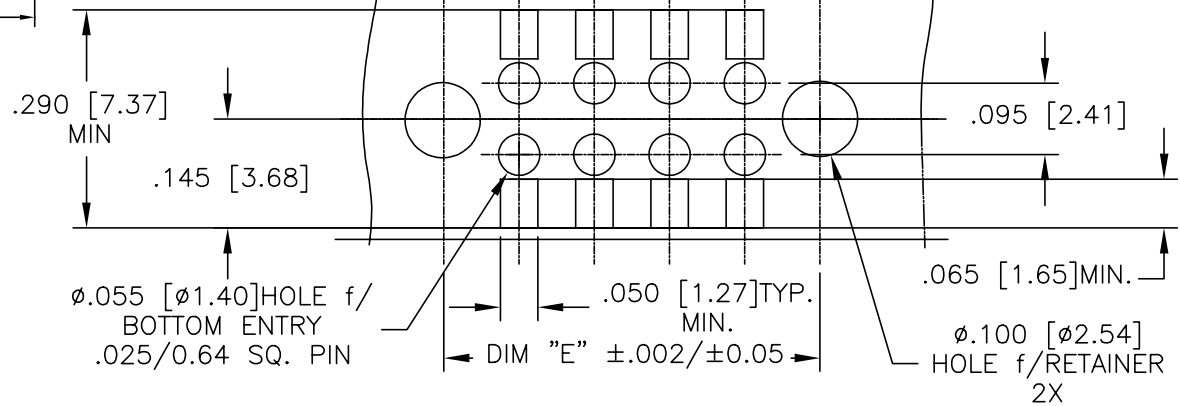


FIGURE B
BOTTOM ENTRY (THROUGH PWB)
.025/.64 SQUARE PIN

mat'l. code NOTES 1,3,8 & 12		surface ISO 1302	tolerance ISO 1302 ISO 406 ISO 1101	projection ASME Y14.5	product family DUBOX
ltr ecn nopr date		tolerances unless otherwise specified		title SMT DOUBLE ROW VCC ASSEMBLY	
B		angles 0°±2'	linear XXX±.01/XXX±.03 XXX±.005/XXX±.013 XXX±.002/XXX±.051	INCH/MM scale 1:1	dwg no 10085176
		dr M.HERNANDEZ	2/17/07	FCJ	sheet 2 of 6 size A3
		engr A.LUGO	2/17/07		type Product Customer Drawing
		chr A.LUGO	2/17/07		
		appd A.LUGO	2/17/07		
sheet index	revision sheet				

1

2 3

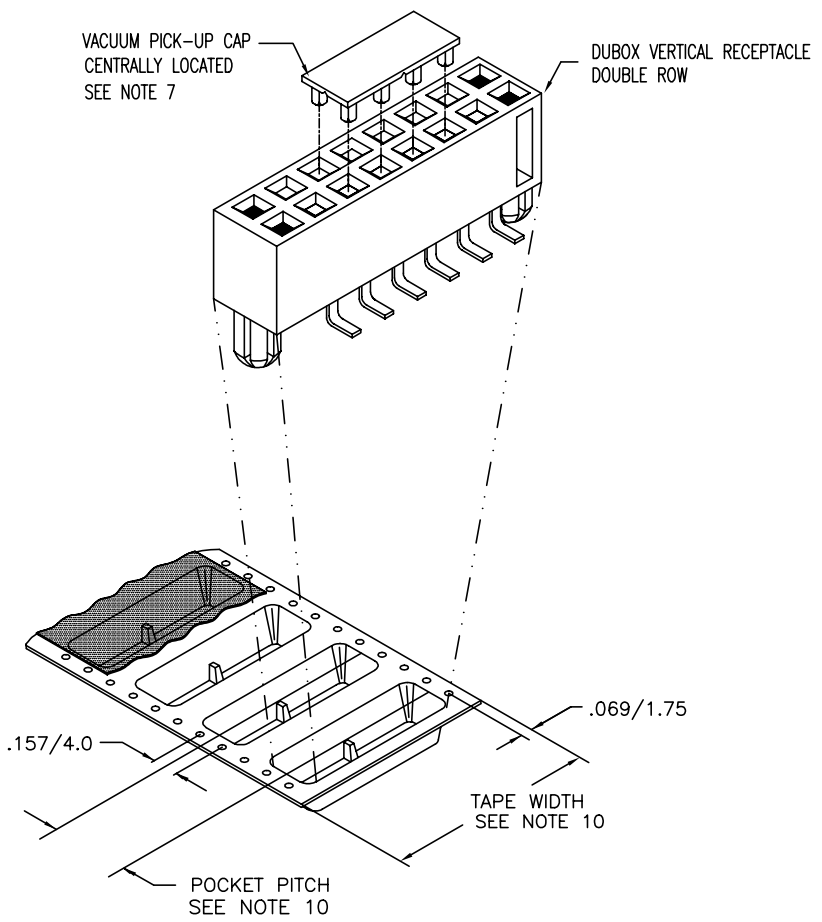
4

5

6

PRODUCT NO.

SEE TABLE



TAPE AND REEL PACKAGING ONLY



Copyright FCI

mat'l. code		surface		tolerance		projection		product family	
NOTES 1,3,8& 12		ISD 1302 ✓		ISD 406 ISD 1101				DUBOX	
ltr ecn n°dr date		tolerances unless otherwise specified		INCH/MM		title			
B		linear		$\frac{.001}{.01} / \frac{.01}{.03}$ $\frac{.001}{.005} / \frac{.01}{.013}$ $\frac{.001}{.0020} / \frac{.01}{.025}$		SMT DOUBLE ROW VCC ASSEMBLY			
		angles		0°±2'		scale 1:1		dwg no	
		dr		M.HERNANDEZ 2/17/07				sheet 3 of 6	
		engr		A.LUGO 2/17/07				10085176	
		chr		A.LUGO 2/17/07				A3	
		appd		A.LUGO 2/17/07				type Product Customer Drawing	
sheet index		revision sheet							

PRODUCT NO NOTE 11	PLATING CONTACT AREA	PLATING SOLDER TAIL	MATERIAL REF
10085176-2XXLF	15u"/.38u Au MIN OVER 50u"/1.27u Ni MIN SEE NOTE 14	100u"/160u" 2.54u/4.06u	NOTE 3 & 4
10085176-3XXLF	30u"/.76u Au MIN OVER 50u"/1.27u Ni MIN SEE NOTE 14	100u"/160u" 2.54u/4.06u	NOTE 3 & 4
10085176-6XXLF	30u"/.76u Au MIN OVER 50u"/1.27u Ni MIN SEE NOTE 14	100u"/160u" 2.54u/4.06u	NOTE 3 & 4

NOTES:

- ①. MATERIAL TERMINAL: PHOSPHOR BRONZE,
- 2. RECOMMENDED APPLICATION DATA:
 - A. RECOMMENDED SOLDER PAD PATTERN IS SHOWN IN FIGURE A & B.
 - B. ALL MATING PINS TO BE .025/.64. SQUARE ON TRUE CENTER OF GIVEN TERMINAL SPACING WITHIN .015/.38. DIA.
 - C. SUGGESTED MATING PIN LENGTH .210 ±.020/5.33 ±.51.
- ③. MATERIAL HOUSING: P.P.S. FILLED,COLOR BLACK
FLAME RETARDANT PER UL 94V-0.
COMPATIBLE WITH INFRA-RED SOLDERING.
THIS PART WILL WITHSTAND EXPOSURES TO 260°C
PEAK TEMPERATURE FOR 20 SECONDS IN WAVE SOLDER,
INFRA-RED OR VAPOR PHASE SOLDER PROCESS.
- ④. PRESTAMPED POST PLATED TERMINALS.
- 5. FCI, FCI FINAL PART NUMBER AND DATE CODE TO BE MARKED ON TUBE LABEL.
- 6. CARRIER TAPE WIDTH 24 MIN. & BELOW TO HAVE PILOT HOLES ON ONE SIDE OF TAPE ONLY. SIZES ABOVE 24mm TO HAVE PILOT HOLES ON BOTH SIDES OF TAPE.
- ⑦. VACUUM CAP MATERIAL FOR TAPE & REEL PACKAGING:
L.C.P., FLAME RETARDANT PER UL 94V-0.
COLOR: BLACK
- ⑧. ADD SUFFIX "P" TO PART DASH NUMBER FOR TAPE AND REEL PACKAGING.
EXAMPLE: 10085176-XXXXP
- 9. MAXIMUM LENGTH OF CONNECTOR FOR TAPE AND REEL PACKAGING IS 2.50 INCHES LONG/63.5 MM.
- ⑩. TAPE & REEL PACKAGING 72mm WIDE TAPE WITH 16mm POCKET PITCH.
- ⑪. PART NUMBER WITH "LF" SUFFIX AT THE END ARE LEAD FREE.
- 12. THESE PRODUCTS MEETS EUROPEAN UNION DIRECTIVES AND OTHER COUNTRY REGULATION AS DESCRIBED IN GS-22-008.
- ⑬. "THIS PRODUCT HAS 100%% TIN PLATING IN THE INTERFACE AND HAS NOT BEEN TESTED FOR WHISKER GROWTH IN ALL INTERCONNECT ENVIRONMENTS."
- ⑭. PLATING OPTIONS:
MAY BE EITHER GOLD OR GXT PLATED AT MANUFACTURER'S OPTION.



Copyright FCI

mat'l code NOTES 1,3,8 & 12		surface ISO 1302 ✓	tolerance ISO 406 ISO 1101	projection 	product family DUBOX
l	tr	ec	n	o	dr
date		tolerances unless otherwise specified		title	
B		angles	linea	INCH/MM	SMT DOUBLE ROW VCC ASSEMBLY
		0°±2'	XXX±.01/XXX.3 XXX±.0005/XXX.13 XXX±.0020/XXX.051	scale 1:1	
		dr	M.HERNANDEZ	2/17/07	dwg no
		engr	A.LUGO	2/17/07	sheet 4 of 6
		chr	A.LUGO	2/17/07	size 10085176 A3
		appd	A.LUGO	2/17/07	type Product Customer Drawing
sheet	revisi				
index	sheet				

PRODUCT NO	NO OF POS	DIM C	DIM D	DIM E	TAPE & REEL PACKAGING	LEAD FREE
10085176-Y02LF	2 X 2	.100/2.54	.417/10.59	.300/7.62	NO	
10085176-Y03LF	2 X 3	.200/5.08	.517/13.13	.400/10.16	NO	
10085176-Y04LF	2 X 4	.300/7.62	.617/15.67	.500/12.70	NO	
10085176-Y05LF	2 X 5	.400/10.16	.717/18.21	.600/15.24	NO	
10085176-Y06LF	2 X 6	.500/12.70	.817/20.75	.700/17.78	NO	
10085176-Y07LF	2 X 7	.600/15.24	.917/23.29	.800/20.32	NO	
10085176-Y08LF	2 X 8	.700/17.78	1.017/25.83	.900/22.86	NO	
10085176-Y09LF	2 X 9	.800/20.32	1.117/28.37	1.000/25.40	NO	
10085176-Y10LF	2 X 10	.900/22.86	1.217/30.91	1.100/27.94	NO	
10085176-Y11LF	2 X 11	1.000/25.40	1.317/33.45	1.200/30.48	NO	
10085176-Y12LF	2 X 12	1.100/27.94	1.417/35.99	1.300/33.02	NO	
10085176-Y13LF	2 X 13	1.200/30.48	1.517/38.53	1.400/35.56	NO	
10085176-Y14LF	2 X 14	1.300/33.02	1.617/41.07	1.500/38.10	NO	
10085176-Y15LF	2 X 15	1.400/35.56	1.717/43.61	1.600/40.64	NO	
10085176-Y16LF	2 X 16	1.500/38.10	1.817/46.15	1.700/43.18	NO	
10085176-Y17LF	2 X 17	1.600/40.64	1.917/48.69	1.800/45.72	NO	
10085176-Y18LF	2 X 18	1.700/43.18	2.017/51.23	1.900/48.26	NO	
10085176-Y19LF	2 X 19	1.800/45.72	2.117/53.77	2.000/50.80	NO	
10085176-Y20LF	2 X 20	1.900/48.26	2.217/56.31	2.100/53.34	NO	
10085176-Y20PLF	2 X 20	1.900/48.26	2.217/56.31	2.100/53.34	YES - NOTE 8 & 10	
10085176-Y21LF	2 X 21	2.000/50.80	2.317/58.85	2.200/55.08	NO	
10085176-Y22LF	2 X 22	2.100/53.34	2.417/61.39	2.300/58.42	NO	
10085176-Y23LF	2 X 23	2.200/55.88	2.517/63.93	2.400/60.96	NO	
10085176-Y24LF	2 X 24	2.300/58.42	2.617/66.47	2.500/63.50	NO	
10085176-Y25LF	2 X 25	2.400/60.96	2.717/69.01	2.000/66.04	NO	

NOTE 11

mat'l. code	surface	tolerance	projection	product family
NOTES 1,3,8 & 12	ISO 1302 ✓	ISO 406 ISO 1101		DUBOX
ltr ecn n d r date	tolerances unless otherwise specified		INCH/MM	title
B	angles	linear	scale 1:1	SMT DOUBLE ROW VCC ASSEMBLY
	0°±2'			dwg no 10085176
	dr M.HERNANDEZ	2/17/07		sheet 5 of 6 size A3
	enr A.LUGO	2/17/07		type Product Customer Drawing
	chr A.LUGO	2/17/07		
	app A.LUGO	2/17/07		
sheet index	revision sheet			



Copyright FCI

PRODUCT NO	NO OF POS	DIM C	DIM D	DIM E	TAPE & REEL PACKAGING	LEAD FREE
10085176-Y26LF	2 X 26	2.500/63.50	2.817/71.55	2.700/68.58	NO	
10085176-Y27LF	2 X 27	2.600/66.04	2.917/74.09	2.800/71.12	NO	
10085176-Y28LF	2 X 28	2.700/68.58	3.017/76.63	2.900/73.66	NO	
10085176-Y29LF	2 X 29	2.800/71.12	3.117/79.17	3.000/76.20	NO	
10085176-Y30LF	2 X 30	2.900/73.66	3.217/81.71	3.100/78.74	NO	
10085176-Y31LF	2 X 31	3.000/76.20	3.317/84.25	3.200/81.28	NO	
10085176-Y32LF	2 X 32	3.100/78.74	3.417/86.79	3.300/83.32	NO	
10085176-Y33LF	2 X 33	3.200/81.28	3.517/89.33	3.400/86.36	NO	
10085176-Y34LF	2 X 34	3.300/83.32	3.617/91.87	3.500/88.90	NO	
10085176-Y35LF	2 X 35	3.400/86.36	3.717/94.41	3.600/91.44	NO	
10085176-Y36LF	2 X 36	3.500/88.90	3.817/96.95	3.700/93.98	NO	
10085176-Y37LF	2 X 37	3.600/91.44	3.917/99.49	3.800/96.52	NO	
10085176-Y38LF	2 X 38	3.700/93.98	4.017/102.03	3.900/99.06	NO	
10085176-Y39LF	2 X 39	3.800/96.52	4.117/104.57	4.000/101.60	NO	
10085176-Y40LF	2 X 40	3.900/99.06	4.217/107.11	4.100/104.14	NO	
10085176-Y41LF	2 X 41	4.000/101.60	4.317/109.65	4.200/106.68	NO	
10085176-Y42LF	2 X 42	4.100/104.14	4.417/112.19	4.300/109.22	NO	
10085176-Y43LF	2 X 43	4.200/106.68	4.517/114.73	4.400/111.76	NO	
10085176-Y44LF	2 X 44	4.300/109.22	4.617/117.27	4.500/114.30	NO	
10085176-Y45LF	2 X 45	4.400/111.76	4.717/119.81	4.600/116.84	NO	
10085176-Y46LF	2 X 46	4.500/114.30	4.817/122.35	4.700/119.38	NO	
10085176-Y47LF	2 X 47	4.600/116.84	4.917/124.89	4.800/121.92	NO	
10085176-Y48LF	2 X 48	4.700/119.38	5.017/127.43	4.900/124.46	NO	
10085176-Y49LF	2 X 49	4.800/121.92	5.117/129.97	5.000/127.00	NO	
10085176-Y50LF	2 X 50	4.900/124.46	5.217/132.51	5.100/129.54	NO	
10085176-Y16PLF	2 X 16	1.500/38.10	1.817/46.15	1.700/43.18	YES - NOTE 8 & 10	

NOTE 11

mat'l. code	surface	tolerance	projection	product family
NOTES 1,3,8 & 12	ISO 1302 ✓	ISO 406 ISO 1101		DUBOX
ltr ecn nldr date	tolerances unless otherwise specified		INCH/MM	title
B	angles	linear	scale 1:1	SMT DOUBLE ROW VCC ASSEMBLY
	0°±2'			dwg no
	dr	M.HERNANDEZ	2/17/07	sheet 6 of 6
	engr	A.LUGO	2/17/07	size
	chr	A.LUGO	2/17/07	10085176
	appd	A.LUGO	2/17/07	type Product Customer Drawing
sheet index	revision sheet			