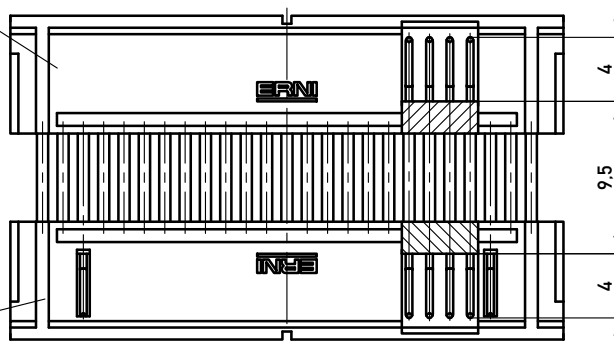
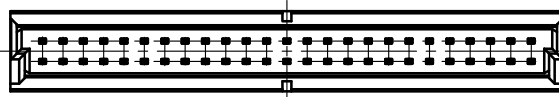
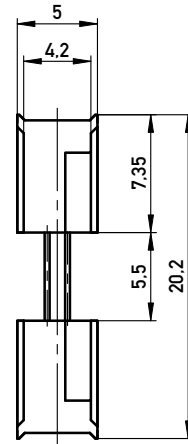


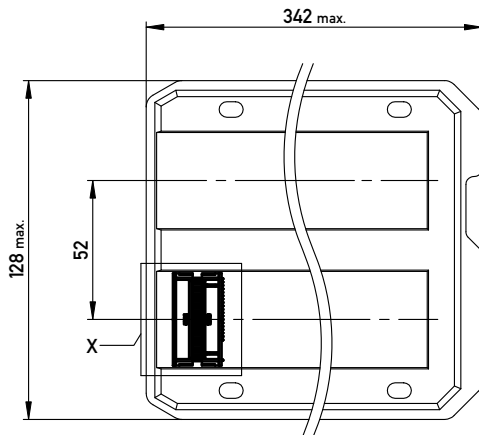
ohne Verriegelung
without interlocking



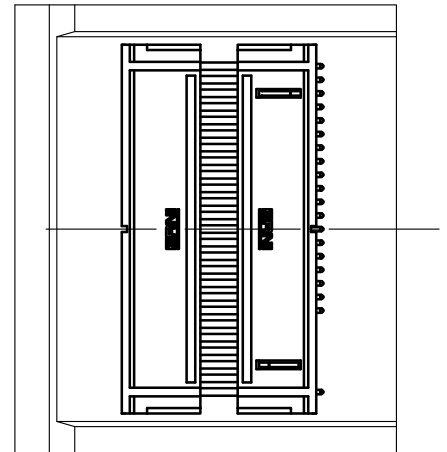
mit Verriegelung
with interlocking



Verpackt in Tray -tray packaging
Verpackungseinheit 30 Stück -packaging unit 30



Einzelheit X (M 2:1)
detail X



Adapterstück für board-to-board Abstand von 22mm (beidseitig verbaut mit Federleiste: 154807, Low Profile)
Adapter for board-to-board height 22mm (in combination with two female connectors: 154807, low profile)

Information: All rights reserved. Only for Information. To ensure that this is the latest version of this drawing, please contact one of the ERNI companies before using.	Tolerances	 All Dimensions in mm	Scale	3:1
	Subject to modification without prior notice. Drawing will not be updated.		Designation 1,27 DRC Adapterstück BTB 22mm <i>50-polig</i>	
E01	18.06.2008	 www.ERNI.com	354308	
Index	Date		Class	DRCBTB

Copyright by ERNI GmbH
 Proprietary notice pursuant to ISO 10166 to be observed.