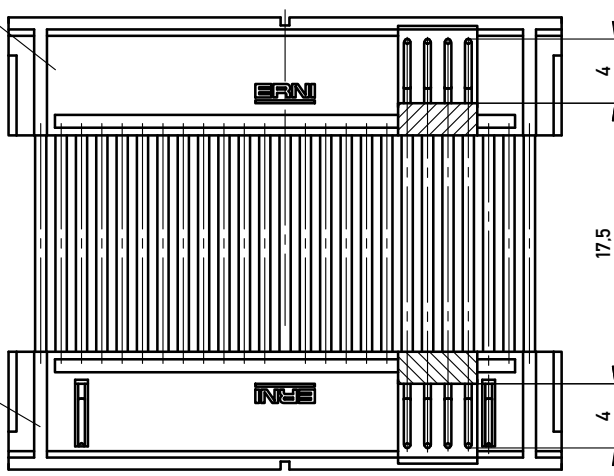
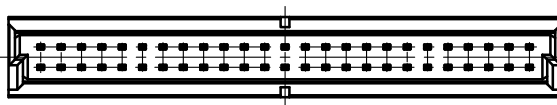
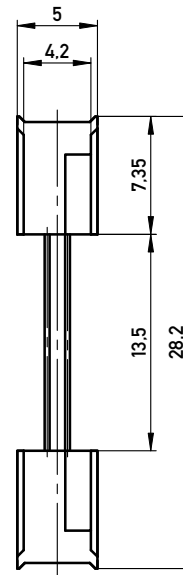


ohne Verriegelung  
without interlocking

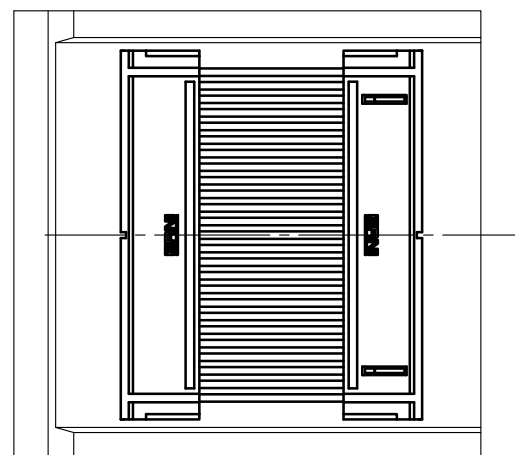
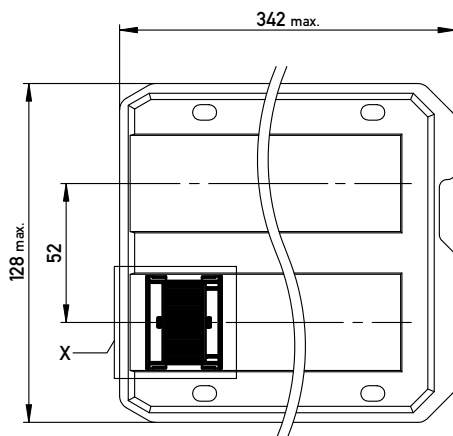


mit Verriegelung  
with interlocking



Verpackt in Tray -tray packaging  
Verpackungseinheit 22 Stück -packaging unit 22

Einzelheit X (M 2:1)  
detail X



Adapterstück für board-to-board Abstand von 30mm (beidseitig verbaut mit Federleiste: 154807, Low Profile)  
Adapter for board-to-board height 30mm (in combination with two female connectors: 154807, low profile)

Information:	Tolerances	All Dimensions in mm	Scale	3:1
	All rights reserved. Only for Information. To ensure that this is the latest version of this drawing, please contact one of the ERNI companies before using.		Designation	
Subject to modification without prior notice. Drawing will not be updated.		1,27 DRC Adapterstück BTB 30mm 50-polig		
ERNI www.ERNI.com		354312		I
E01	08.07.2008	Class		A3
Index	Date	DRCBTB		

Copyright by ERNI GmbH  
Proprietary notice pursuant to ISO 16016 to be observed.