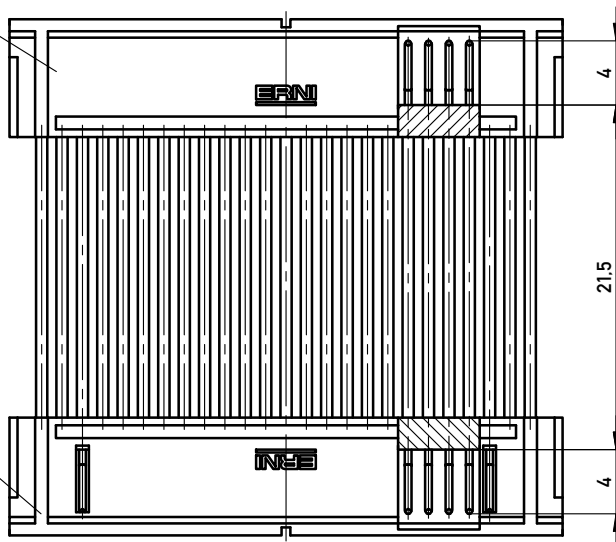
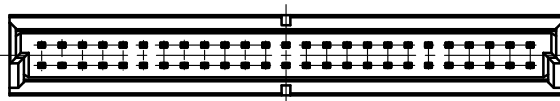
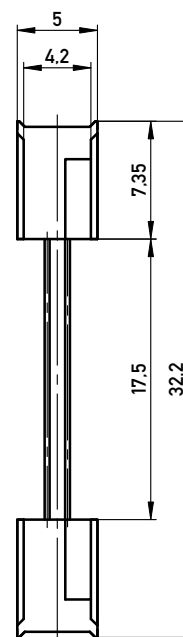


ohne Verriegelung  
without interlocking

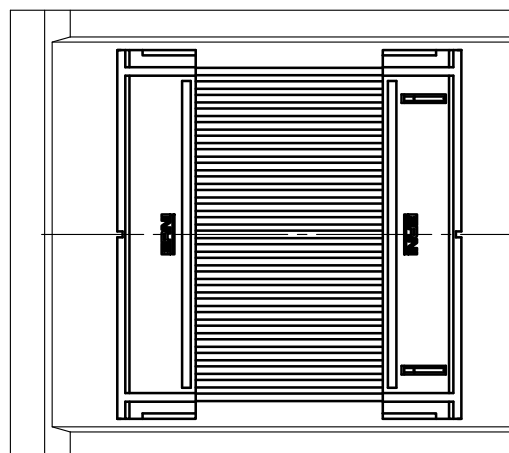
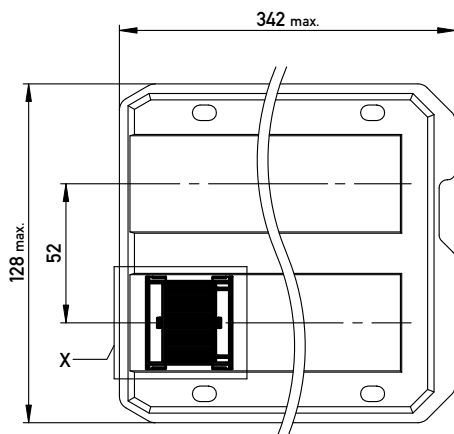


mit Verriegelung  
with interlocking



Verpackt in Tray -tray packaging  
Verpackungseinheit 18 Stück -packaging unit 18

Einzelheit X (M 2:1)  
detail X



Adapterstück für board-to-board Abstand von 34mm (beidseitig verbaut mit Federleiste: 154807, Low Profile)  
Adapter for board-to-board height 34mm (in combination with two female connectors: 154807, low profile)

Information:  All rights reserved. Only for Information. To ensure that this is the latest version of this drawing, please contact one of the ERNI companies before using.	Tolerances  All Dimensions in mm	Scale 3:1		
	Subject to modification without prior notice. Drawing will not be updated.	Designation <b>1,27 DRC Adapterstück BTB 34mm</b> <i>50-polig</i>		
E01 Index	18.06.2008 Date	www.ERNI.com		<b>354314</b> Class DRCBTB
				I A3

Copyright by ERNI GmbH  
Proprietary notice pursuant to ISO 16016 to be observed.