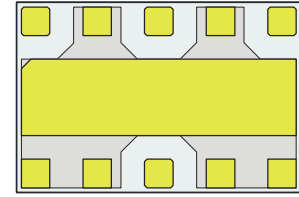


ACFM-2024

Band 25 Rx, Band 26 Rx, Band 41 Rx Triplexer

Product Brief



Description

The Avago Technologies' ACFM-2024 is an antenna triplexer that combines Band 25, Band 26, and Band 41 Rx filters into a single, miniature package.

The ACFM-2024 features a single antenna connection, which eliminates the need for antenna switching. All ports are matched to 50 ohms.

The ACFM-2024 is designed with Avago Technologies' film bulk acoustic resonator (FBAR) technology. The ACFM-2024 also utilizes Avago Technologies' innovative microcap bonded-wafer, chip scale packaging technology. This process allows the filters to be assembled in a module with a footprint of only 2 mm × 3 mm with a maximum height of 1.05 mm.

The ACFM-2024 enhances receiver sensitivity and dynamic range with low Rx insertion loss and high rejection of interfering signals.

The excellent power handling capability of Avago Technologies' FBAR bulk-mode resonators supports the power levels used in mobile communications devices while adding virtually no distortion.

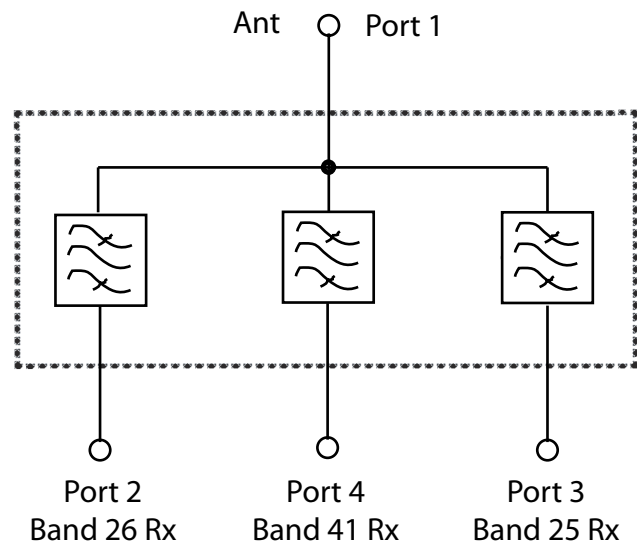
Features

- Single antenna
- All ports matched to 50 ohms
- Miniature size
 - 2 mm × 3 mm footprint
 - 1.05 mm maximum height
- High power rating
 - +15 dBm maximum power
- Environmental
 - RoHS 6 compliant
 - Halogen free
 - TBBPA free

Applications

Smartphones, tablets, and mobile/portable communications devices operating in Bands 25, 26, and 41.

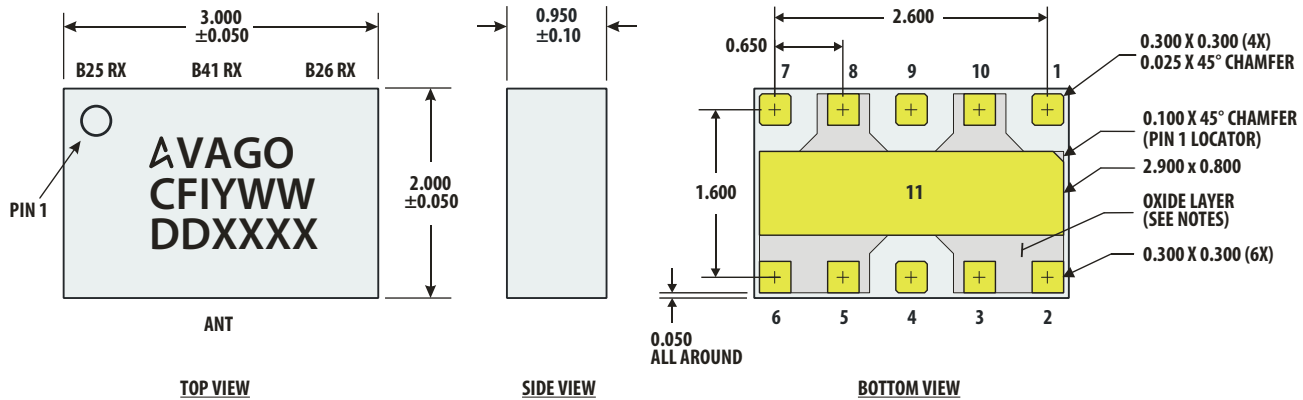
Functional Block Diagram



Ordering Information

Part Number	Number of Devices	Container
ACFM-2024-BLK	100	Tape strip or gel-pack
ACFM-2024-TR1	3000	178 mm (7-inch) reel

Package Dimensions and Marking Specification



Notes:

1. Dimensions in millimeters
2. Tolerance, unless otherwise noted:
 $X.XX \pm 0.05$ mm
 $X.XXX \pm 0.025$ mm
3. Dimensions nominal unless otherwise noted
4. Angles 45° nominal
5. Contact areas are gold plated
6. Ground pads on bottom metal are defined by a thin ($< 1\mu\text{m}$) oxide layer which acts as a solder stop

Package Marking:

AVAGO = Avago Technologies
 C = ACFM- 2024
 FI = Assembly Information
 Y = Year
 WW = Work Week
 DD = Date Code
 XXXX = Assembly Lot

Pin Description

Pin	Connection
1	Band 25 Rx
4	Ant
7	Band 26 Rx
9	Band 41 Rx
2, 3, 5, 6, 8, 10, 11	GND

For product information and a complete list of distributors, please go to our web site:

www.avagotech.com

Avago, Avago Technologies, and the A logo are trademarks of Avago Technologies in the United States and other countries. All other brand and product names may be trademarks of their respective companies.

Data subject to change. Copyright © 2015 Avago Technologies. All Rights Reserved.

AV02-4910EN – 2015-05-01

AVAGO
 TECHNOLOGIES

