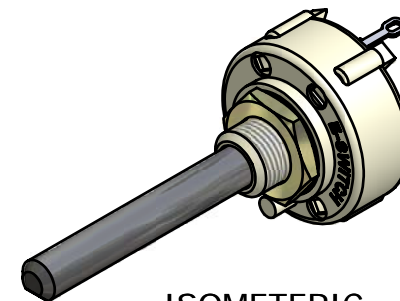
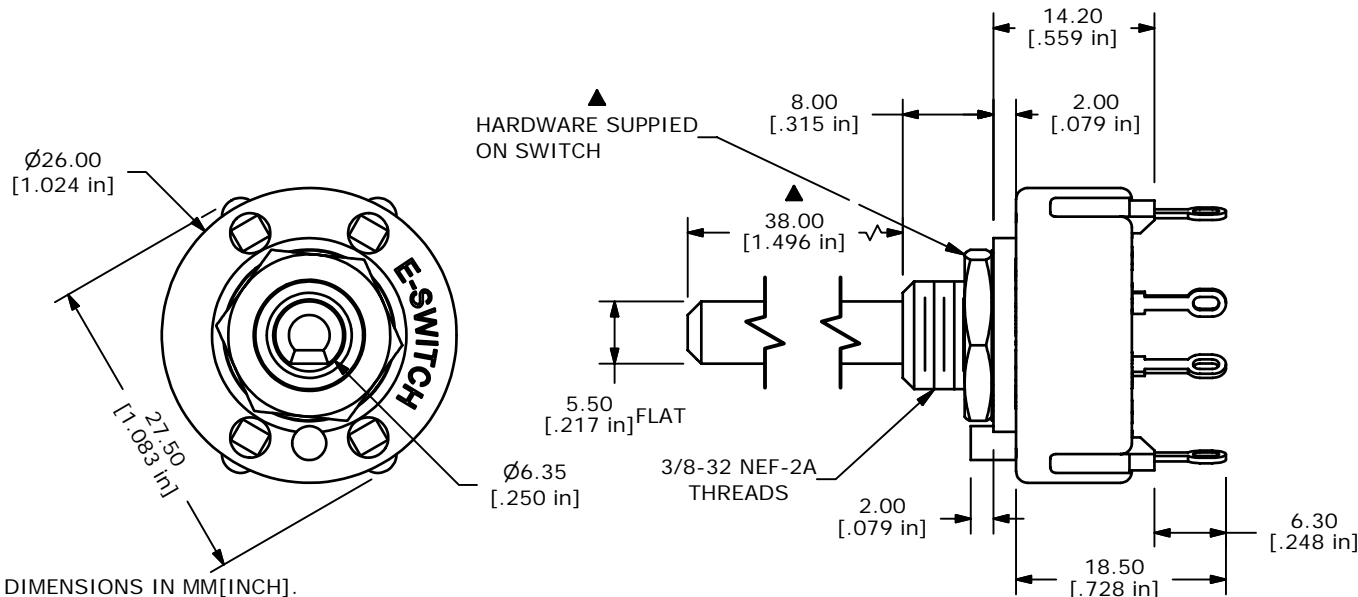


CONTACT CONFIGURATION  
TIMING (BBM) NON-SHORTING



ISOMETERIC



- NOTE:
1. ALL DIMENSIONS IN MM[INCH].
  2. GENERAL TOLERANCE: X.X=±0.4  
X.XX=±0.25
  3. TERM. NOS. FOR REFERENCE ONLY.
  4. CONTACT MATERIAL: SILVER
  5. CONTACT RATING: 0.3A @125VAC
  6. OPERATING FORCE 800± 300 GRAMS
  7. OPERATING TEMP: -30°C TO 85°C
  - ▲ 8. CIRCUIT SP: 3 POSITION 90° INDEX
  9. DIELECTRIC STRENGTH: 500VAC-60 SEC.
  - ▲ 10. HARDWARE SUPPLIED ON SWITCH:  
LOCKWASHER, HEXNUT, STOP RING
  11. ▲ DENOTES CRITICAL PARAMETER.

**E-SWITCH®**

B	15244	ADDED DIM. AND CHANGED NOTES 8,9,10	9/7/05	PH
A	15054	RELEASED FOR PRODUCTION	7/11/05	JB
REV	PCR NO	DESCRIPTION	DATE	BY

TITLE KC56A38.001NLS				
SCALE	DATE	DR	DWG	REV
1.5:1	7/11/2005	JB	G511003	B

THE INFORMATION CONTAINED IN THIS DOCUMENT IS PROPRIETARY TO E-SWITCH AND IS NOT TO BE COPIED OR TRANSFERRED