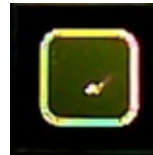


## High Temperature Silicon Carbide Power Schottky Diode

$V_{RRM}$	=	650 V
$I_F @ 25\text{ }^\circ\text{C}$	=	2.5 A
$Q_C$	=	7 nC

### Features

- 650 V Schottky rectifier
- 210 °C maximum operating temperature
- Zero reverse recovery charge
- Superior surge current capability
- Positive temperature coefficient of  $V_F$
- Temperature independent switching behavior
- Lowest figure of merit  $Q_C/I_F$
- Available screened to Mil-PRF-19500



Die Size = 0.9 mm x 0.9 mm

### Advantages

- High temperature operation
- Improved circuit efficiency (Lower overall cost)
- Low switching losses
- Ease of paralleling devices without thermal runaway
- Smaller heat sink requirements
- Industry's lowest reverse recovery charge
- Industry's lowest device capacitance
- Ideal for output switching of power supplies
- Best in class reverse leakage current at operating temperature

### Applications

- Down Hole Oil Drilling
- Geothermal Instrumentation
- Solenoid Actuators
- General Purpose High-Temperature Switching
- Amplifiers
- Solar Inverters
- Switched-Mode Power Supply (SMPS)
- Power Factor Correction (PFC)

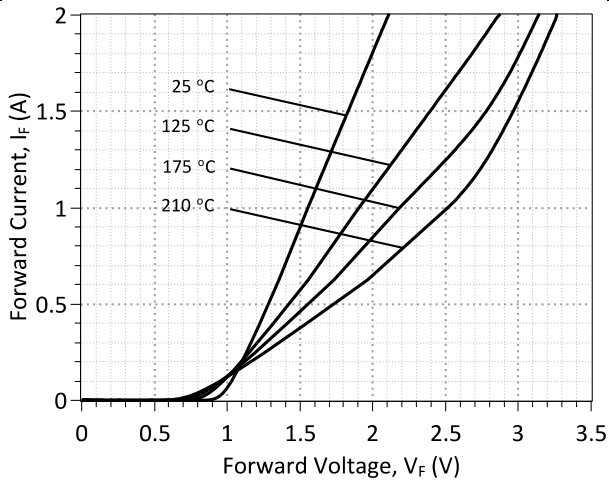
### Maximum Ratings at $T_j = 210\text{ }^\circ\text{C}$ , unless otherwise specified

Parameter	Symbol	Conditions	Values		Unit
			min.	typ.	
Repetitive peak reverse voltage	$V_{RRM}$			650	V
Continuous forward current	$I_F$	$T_C = 25\text{ }^\circ\text{C}$ , $R_{thJC} = 9.52$		2.5	A
Continuous forward current	$I_F$	$T_C \leq 190\text{ }^\circ\text{C}$ , $R_{thJC} = 9.52$		0.75	A
RMS forward current	$I_{F(RMS)}$	$T_C \leq 190\text{ }^\circ\text{C}$ , $R_{thJC} = 9.52$		1.3	A
Surge non-repetitive forward current, Half Sine Wave	$I_{F,SM}$	$T_C = 25\text{ }^\circ\text{C}$ , $t_p = 10\text{ ms}$		10	A
Non-repetitive peak forward current	$I_{F,max}$	$T_C = 25\text{ }^\circ\text{C}$ , $t_p = 10\text{ }\mu\text{s}$		65	A
$I^2t$ value	$\int j^2 dt$	$T_C = 25\text{ }^\circ\text{C}$ , $t_p = 10\text{ ms}$		0.5	$\text{A}^2\text{S}$
Power dissipation	$P_{tot}$	$T_C = 25\text{ }^\circ\text{C}$ , $R_{thJC} = 9.52$		24	W
Operating and storage temperature	$T_j, T_{stg}$			-55 to 210	$^\circ\text{C}$

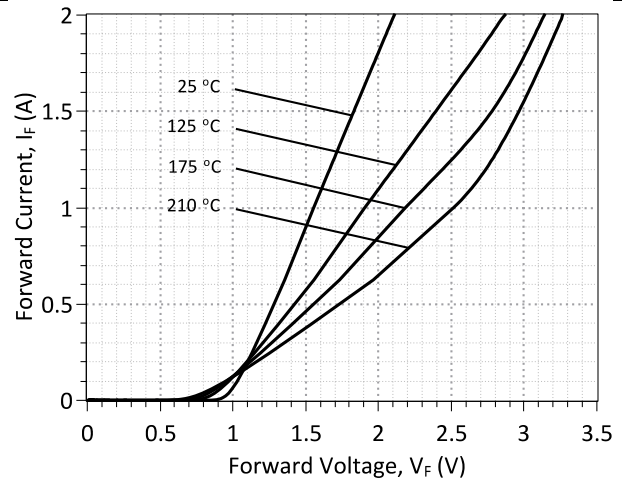
### Electrical Characteristics at $T_j = 210\text{ }^\circ\text{C}$ , unless otherwise specified

Parameter	Symbol	Conditions	Values			Unit
			min.	typ.	max.	
Diode forward voltage	$V_F$	$I_F = 0.75\text{ A}$ , $T_j = 25\text{ }^\circ\text{C}$		1.4		V
		$I_F = 0.75\text{ A}$ , $T_j = 210\text{ }^\circ\text{C}$		2.3		
Reverse current	$I_R$	$V_R = 650\text{ V}$ , $T_j = 25\text{ }^\circ\text{C}$		1	5	$\mu\text{A}$
		$V_R = 650\text{ V}$ , $T_j = 210\text{ }^\circ\text{C}$		5	50	
Total capacitive charge	$Q_C$	$I_F \leq I_{F,MAX}$ $dI_F/dt = 200\text{ A}/\mu\text{s}$ $T_j = 210\text{ }^\circ\text{C}$		7		nC
Switching time	$t_s$	$V_R = 400\text{ V}$		< 17		ns
		$V_R = 400\text{ V}$		< 17		
Total capacitance	C	$V_R = 1\text{ V}$ , $f = 1\text{ MHz}$ , $T_j = 25\text{ }^\circ\text{C}$		76		pF
		$V_R = 400\text{ V}$ , $f = 1\text{ MHz}$ , $T_j = 25\text{ }^\circ\text{C}$		12		
		$V_R = 650\text{ V}$ , $f = 1\text{ MHz}$ , $T_j = 25\text{ }^\circ\text{C}$		12		

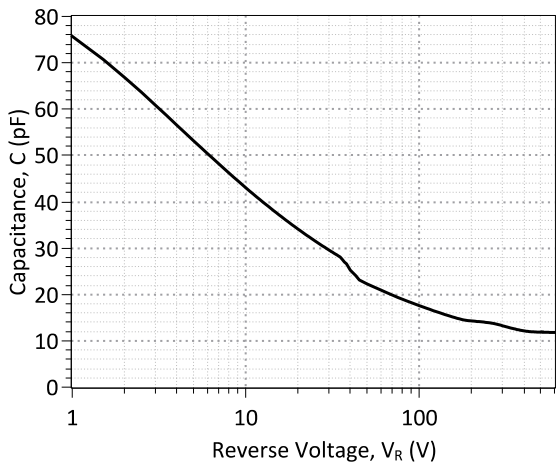
**Figures:**



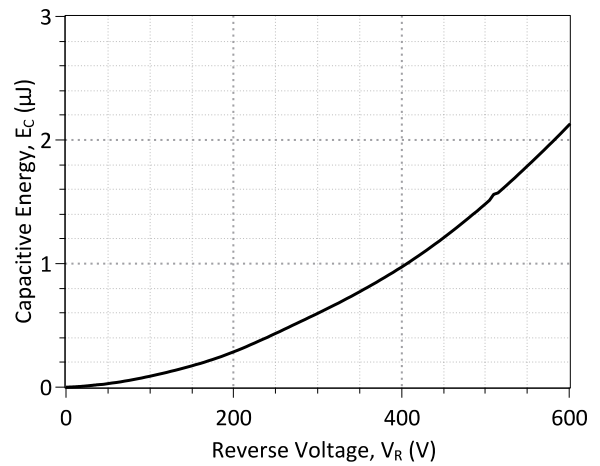
**Figure 1: Typical Forward Characteristics**



**Figure 2: Typical Reverse Characteristics**



**Figure 3: Typical Junction Capacitance vs Reverse Voltage Characteristics**

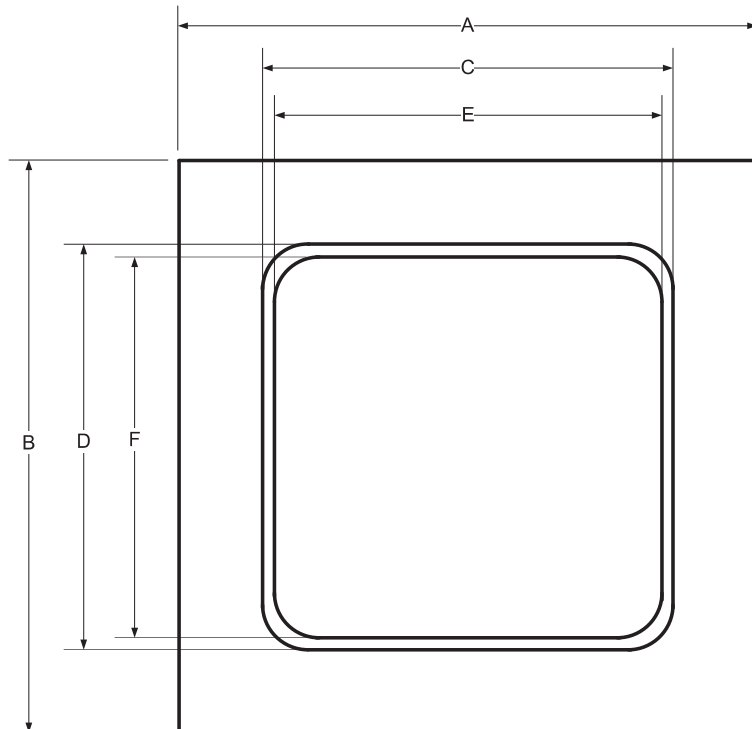


**Figure 4: Typical Capacitive Energy vs Reverse Voltage Characteristics**

**Mechanical Parameters**

Die Dimensions	0.9 x 0.9	mm <sup>2</sup>
Anode pad size	0.64 x 0.64	
Die Area total / active	0.81/0.36	
Die Thickness	360	µm
Wafer Size	100	mm
Flat Position	0	deg
Die Frontside Passivation	Polyimide	
Anode Pad Metallization	400 nm Ni + 200 nm Au	
Backside Cathode Metallization	400 nm Ni + 200 nm Au	
Die Attach	Electrically conductive glue or solder	
Wire Bond	Au ≤ 76 µm	
Reject ink dot size	Φ ≥ 0.3 mm	
Recommended storage environment	Store in original container, in dry nitrogen, < 6 months at an ambient temperature of 23 °C	

**Chip Dimensions:**



<b>DIE</b>	A [mm]	0.9
	B [mm]	0.9
<b>METAL</b>	C [mm]	0.64
	D [mm]	0.64
<b>WIRE BONDABLE</b>	E [mm]	0.6
	F [mm]	0.6

**Revision History**

Date	Revision	Comments	Supersedes
2015/02/09	1	Inserted Mechanical Parameters	
2012/04/03	0	Initial release	

Published by

GeneSiC Semiconductor, Inc.  
43670 Trade Center Place Suite 155  
Dulles, VA 20166

GeneSiC Semiconductor, Inc. reserves right to make changes to the product specifications and data in this document without notice.

GeneSiC disclaims all and any warranty and liability arising out of use or application of any product. No license, express or implied to any intellectual property rights is granted by this document.

Unless otherwise expressly indicated, GeneSiC products are not designed, tested or authorized for use in life-saving, medical, aircraft navigation, communication, air traffic control and weapons systems, nor in applications where their failure may result in death, personal injury and/or property damage.

## SPICE Model Parameters

This is a secure document. Please copy this code from the SPICE model PDF file on our website ([http://www.genesicsemi.com/images/hit\\_sic/baredie/schottky/GB01SHT06-CAU\\_SPICE.pdf](http://www.genesicsemi.com/images/hit_sic/baredie/schottky/GB01SHT06-CAU_SPICE.pdf)) into LTSPICE (version 4) software for simulation of the GB01SHT06-CAU.

```
*      MODEL OF GeneSiC Semiconductor Inc.
*
*      $Revision:   1.0           $
*      $Date:      05-SEP-2013   $
*
*      GeneSiC Semiconductor Inc.
*      43670 Trade Center Place Ste. 155
*      Dulles, VA 20166
*
*      COPYRIGHT (C) 2013 GeneSiC Semiconductor Inc.
*      ALL RIGHTS RESERVED
*
*      These models are provided "AS IS, WHERE IS, AND WITH NO WARRANTY
*      OF ANY KIND EITHER EXPRESSED OR IMPLIED, INCLUDING BUT NOT LIMITED
*      TO ANY IMPLIED WARRANTIES OF MERCHANTABILITY AND FITNESS FOR A
*      PARTICULAR PURPOSE."
*      Models accurate up to 2 times rated drain current.
*
*      Start of GB01SHT06-CAU SPICE Model
*
.SUBCKT GB01SHT06 ANODE KATHODE
D1 ANODE KATHODE GB01SHT06_25C; Call the Schottky Diode Model
D2 ANODE KATHODE GB01SHT06_PIN; Call the PiN Diode Model
.MODEL GB01SHT06_25C D
+ IS      3.57E-18      RS      0.49751
+ TRS1    0.0057      TRS2    2.40E-05
+ N       1           IKF     322
+ EG      1.2         XTI     3
+ CJO     9.12E-11    VJ      0.371817384
+ M       1.527759838 FC      0.5
+ TT      1.00E-10    BV      650
+ IBV     1.00E-03   VPK     650
+ IAVE    1           TYPE    SiC_Schottky
+ MFG     GeneSiC_Semiconductor
.MODEL GB01SHT06_PIN D
+ IS      5.73E-11    RS      0.72994
+ N       5           IKF     800
+ EG      3.23        XTI     -14
+ FC      0.5         TT      0
+ BV      650         IBV     1.00E-03
+ VPK     650         IAVE    1
+ TYPE    SiC_PiN
.ENDS
*
*      End of GB01SHT06-CAU SPICE Model
```