

**Evaluation kit for ST95HF transceiver for NFC**

Data brief

**Features**

- Ready to use printed circuit board with ST95HF 13.56 MHz transceiver 32 lead 5x5 mm VFQFPN package:
  - Reader mode: ISO/IEC 14443 Type A; ISO/IEC 15693; ISO/IEC 18092.
  - Card Emulation mode: ISO/IEC 14443 Type A.
  - Peer To Peer mode: ISO/IEC 14443 Type A.

The ST95HF also supports the detection, reading and writing of NFC Forum Type 1, 2, 3 and 4 tags.

- STM32F103RGT6 64LQFP 32-bits microcontroller, with 1 Mbytes of Flash memory.
- 47 x 34 mm with 4 turn. 13.56 MHz inductive antenna etched on PCB and associated tuning circuit.
- Mini USB connector for board powering.
- 5 different color LEDs indicating the presence of RF field and protocol used to communicate.
- JTAG connector for microcontroller firmware downloads and debug.
- Joystick for menu selection.
- LCD color screen (320\*200pixels).
- USB cable: Type A / mini B

**Figure 1. EVAL ST95HF RF transceiver board pictures Top and bottom**

# 1 Description

The EVAL-ST95HF kit is created to evaluate features of the ST-Microelectronics ST95HF.

This component is a 13.56 MHz near field communication transceiver which could be used in two modes as well in Tag emulation as NFC Reader. So we could use two ST95HF Eval board face to face.

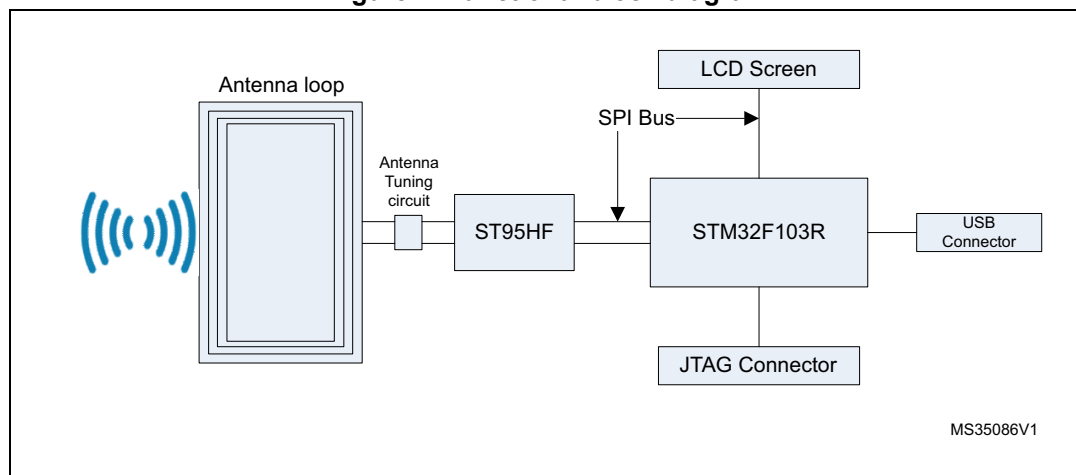
The EVAL-ST95HF board is powered through the USB bus. It consists of a ST95HF transceiver on a 47 x 34 mm -4 turn and 13.56 MHz inductive etched antenna and its associated tuning circuit components. The ST95HF communicates with the STM32F103RGT6 and LCD screen via SPI bus.

In Tag emulation mode it could be used with NFC Reader (NFC smartphone, CR95HF or with another ST95HF) to exchange NDEF messages (URI, VCARD, URL) or establish a P2P communication. Communication protocol is based on ISO/IEC 14443 Type A.

In reader mode the ST95HF supports ISO/IEC 14443 Type A and B communication, ISO/IEC 15693 and ISO/IEC 18092 protocols.

The mode could be selected on screen by using a joystick.

Figure 2. Functional block diagram



## 2 Evaluation kit environment

The EVAL-ST95HF kit includes hardware and software components.

- ST Microelectronic Tag samples as LRI2k pairing card, LRI64k keyfob, LRI64k token.
- EVAL-ST95HF Hardware (MB1145): schematics, BOM, Gerber files.
- STM32-EVAL-ST95HF-application-firmware: Complete description of the firmware can be found in documentation posted on ST web site.

All the material for the use can be downloaded from the web site <http://www.st.com>.

### 3 Revision history

Table 1. Document revision history

Date	Revision	Changes
19-Jun-2014	1	Initial release.

**Please Read Carefully:**

Information in this document is provided solely in connection with ST products. STMicroelectronics NV and its subsidiaries ("ST") reserve the right to make changes, corrections, modifications or improvements, to this document, and the products and services described herein at any time, without notice.

All ST products are sold pursuant to ST's terms and conditions of sale.

Purchasers are solely responsible for the choice, selection and use of the ST products and services described herein, and ST assumes no liability whatsoever relating to the choice, selection or use of the ST products and services described herein.

No license, express or implied, by estoppel or otherwise, to any intellectual property rights is granted under this document. If any part of this document refers to any third party products or services it shall not be deemed a license grant by ST for the use of such third party products or services, or any intellectual property contained therein or considered as a warranty covering the use in any manner whatsoever of such third party products or services or any intellectual property contained therein.

**UNLESS OTHERWISE SET FORTH IN ST'S TERMS AND CONDITIONS OF SALE ST DISCLAIMS ANY EXPRESS OR IMPLIED WARRANTY WITH RESPECT TO THE USE AND/OR SALE OF ST PRODUCTS INCLUDING WITHOUT LIMITATION IMPLIED WARRANTIES OF MERCHANTABILITY, FITNESS FOR A PARTICULAR PURPOSE (AND THEIR EQUIVALENTS UNDER THE LAWS OF ANY JURISDICTION), OR INFRINGEMENT OF ANY PATENT, COPYRIGHT OR OTHER INTELLECTUAL PROPERTY RIGHT.**

**ST PRODUCTS ARE NOT DESIGNED OR AUTHORIZED FOR USE IN: (A) SAFETY CRITICAL APPLICATIONS SUCH AS LIFE SUPPORTING, ACTIVE IMPLANTED DEVICES OR SYSTEMS WITH PRODUCT FUNCTIONAL SAFETY REQUIREMENTS; (B) AERONAUTIC APPLICATIONS; (C) AUTOMOTIVE APPLICATIONS OR ENVIRONMENTS, AND/OR (D) AEROSPACE APPLICATIONS OR ENVIRONMENTS. WHERE ST PRODUCTS ARE NOT DESIGNED FOR SUCH USE, THE PURCHASER SHALL USE PRODUCTS AT PURCHASER'S SOLE RISK, EVEN IF ST HAS BEEN INFORMED IN WRITING OF SUCH USAGE, UNLESS A PRODUCT IS EXPRESSLY DESIGNATED BY ST AS BEING INTENDED FOR "AUTOMOTIVE, AUTOMOTIVE SAFETY OR MEDICAL" INDUSTRY DOMAINS ACCORDING TO ST PRODUCT DESIGN SPECIFICATIONS. PRODUCTS FORMALLY ESCC, QML OR JAN QUALIFIED ARE DEEMED SUITABLE FOR USE IN AEROSPACE BY THE CORRESPONDING GOVERNMENTAL AGENCY.**

Resale of ST products with provisions different from the statements and/or technical features set forth in this document shall immediately void any warranty granted by ST for the ST product or service described herein and shall not create or extend in any manner whatsoever, any liability of ST.

ST and the ST logo are trademarks or registered trademarks of ST in various countries.

Information in this document supersedes and replaces all information previously supplied.

The ST logo is a registered trademark of STMicroelectronics. All other names are the property of their respective owners.

© 2014 STMicroelectronics - All rights reserved

STMicroelectronics group of companies

Australia - Belgium - Brazil - Canada - China - Czech Republic - Finland - France - Germany - Hong Kong - India - Israel - Italy - Japan - Malaysia - Malta - Morocco - Philippines - Singapore - Spain - Sweden - Switzerland - United Kingdom - United States of America

[www.st.com](http://www.st.com)

