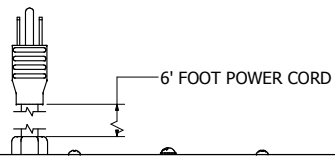
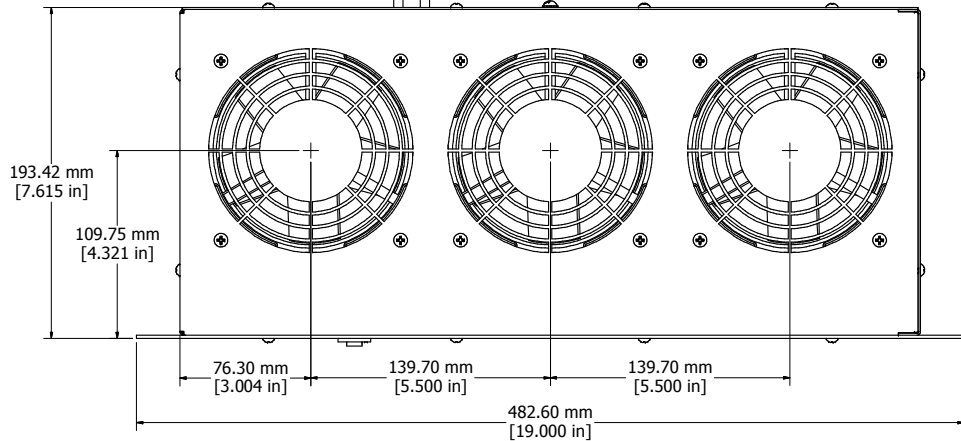


125V POWER CORD
(NEMA 5-15P PLUG)

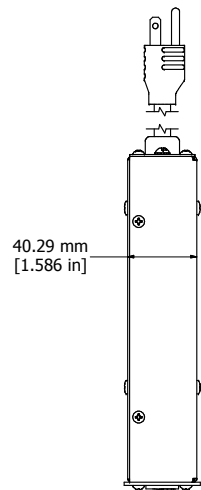
ASSEMBLY - VIEW FROM BACK



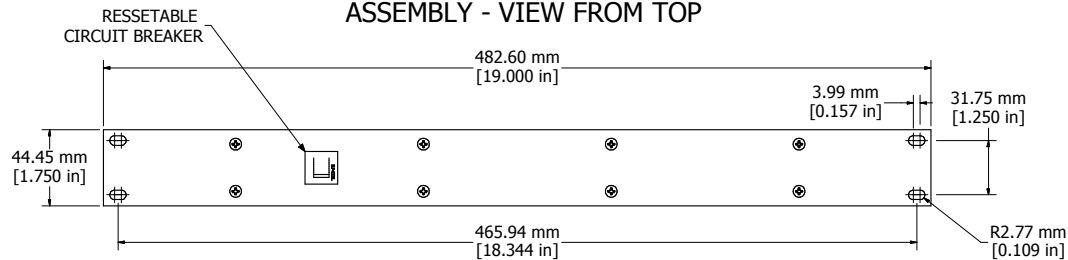
6' FOOT POWER CORD



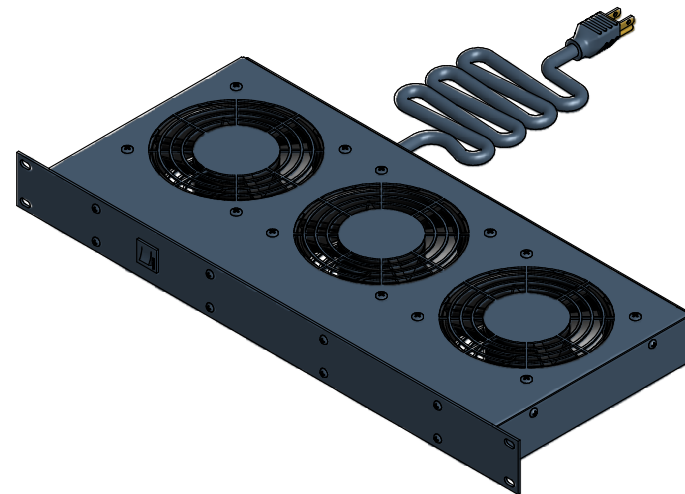
ASSEMBLY - VIEW FROM TOP



ASSEMBLY - VIEW FROM SIDE



ASSEMBLY - VIEW FROM FRONT



ISOMETRIC VIEW

FT300TA1BK
Finish - Black Textured Powder Paint
Rated - 115 VAC, 60 Hz, 3 Amps
Free Flow Air Delivery - 300 CFM
Approvals - cURus Recognized UL507 and CSA C22.2 No.113



**HAMMOND
MANUFACTURING™**

FT300TA1BK

www.hammondmfg.com