

LED Module Specifications

PRODUCT SPECIFICATION

Model No.: FYLM-5050UXX-02-16-12V-W

Applications:
<ul style="list-style-type: none"> ■ Channel Letters ■ Lighting source for shop windows ■ Indoor Decoration Lighting ■ Advertising Signs ■ Replacement for Neon



CUSTOMER APPROVED SIGNATURES	APPROVED BY	CHECKED BY	PREPARED BY

NINGBO FORYARD OPTOELECTRONICS CO.,LTD.

Add: NO.115 Qixin Road Ningbo Zhejiang China

Zip: 315042

Tel: 0086-574-87933652 87927870 87922206

Fax: 0086-574-87927917

E-mail: Sales@foryard.com (General)

[Http://www.foryard.com](http://www.foryard.com)

Model No.: FYLM-5050UXX-02-16-12V-W

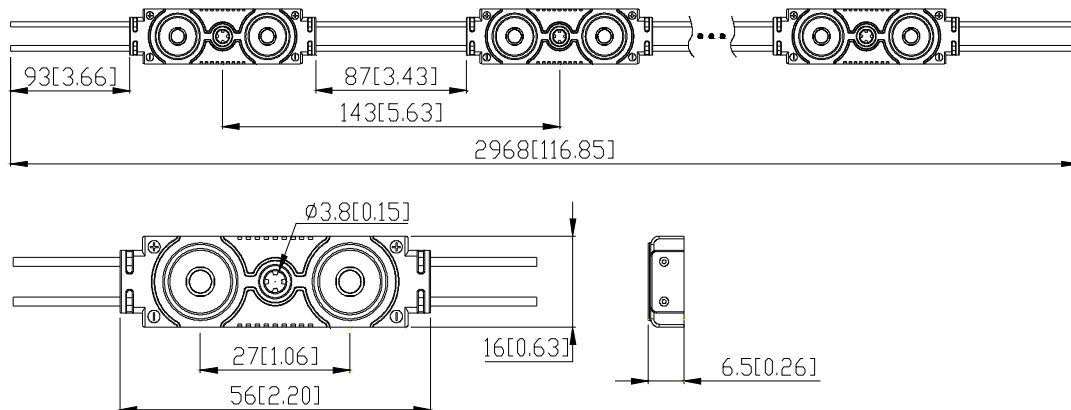
■ Photo



■ Features

1. High luminous efficacy 5050 SMD LED mounted
2. Maximum module quantity per string up to 50 pcs
3. PVC housing. Flame-retardant Teflon cable, especially proper for petroleum etc. safety-special location applica
If there is no special flame-retardant demand, can choose same PVC wire modules
4. Water-guide structure to drive dew or splashed water-drop away from the LEDs to lengthen life span
5. Rib-built-in screw hole match diameter-varying screws
6. Certifications: CE, RoHS, UL94V-0 flame retardant grade

■ Profile Drawings



Notes:

1. All dimensions are millimeters.
2. Tolerance is $\pm 1\text{mm}$ unless otherwise specified.
3. Specifications are subject to change without notice.

Model No.: FYLM-5050UXX-02-16-12V-W

Rating Electrical/Optical Characteristics(1 PCS)

Item	Warm White	White	Cold White	Red	Green	Blue	Yellow
Color Temperature(K) Wavelength(nm)	3000	6000	9000	620~625	525~530	465~470	585~590
Luminous Flux(lm/piece)	45	45	45	12	37	10	11
CRI	≥75	≥75	≥75	-	-	-	-
Luminous Efficiency(lm/W)	94	94	94	25	77	21	23
Working Voltage (V)	DC12						
Beam Angle (°)	115						
Working Current	40						
Power(W/piece)	0.48						
net weight:(g)	8.8						
LED Quantity(pcs)	1						
Dimension:(mm)	56.0*16.0*6.5						
Life Time(hrs)	13000						
Operation Temperature(°C)	-25~+60						
IP Grade	IP 65						
Approval	CE (NO: E8 06 01 57489 001)						

Rating Electrical/Optical Characteristics(50 PCS)

LED Color	Warm White	White	Cold White	Red	Green	Blue	Yellow
Power Dissipation	24W						
Total Length	1.357m±0.1m						
Input Current(mA)	2000						
Weight	440g						

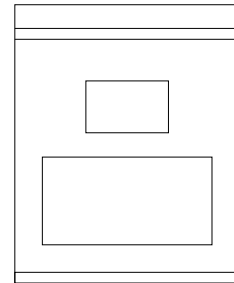
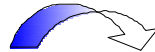
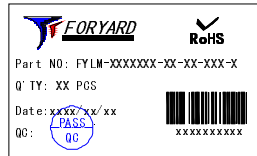
Notes:

1. Testing environment temperature: 25±2°C
2. The above data are typical values; the actual data of each single product could differ from the typical values. The data subject to change without prior notice.

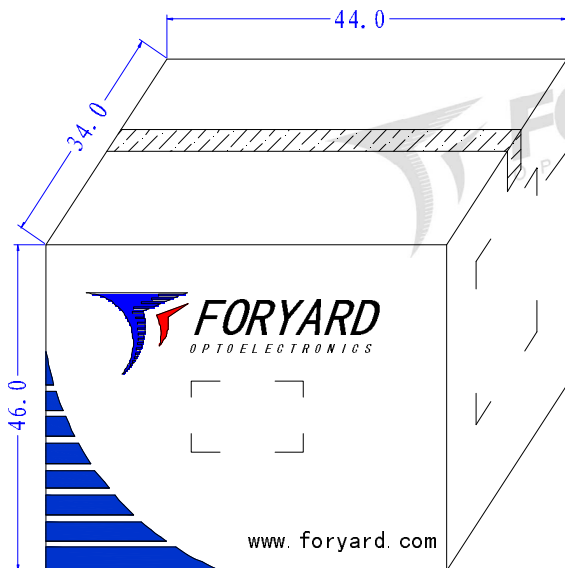
Model No.: FYLM-5050UXX-02-16-12V-W

Package(5 meters)

The backsides of all products will stick '3M' branded double-sided sticker with 10mm width.

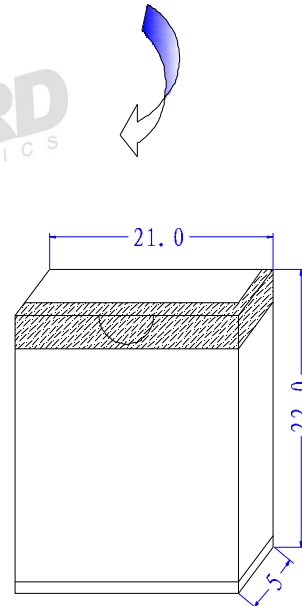
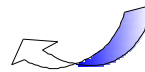


XPCS/Polybag



24Boxes/Carton

OUTSIDE LABEL



xPolybags/Box



OUTSIDE LABEL

Note: The specifications are subject to change without notice. Please contact us for updated information.