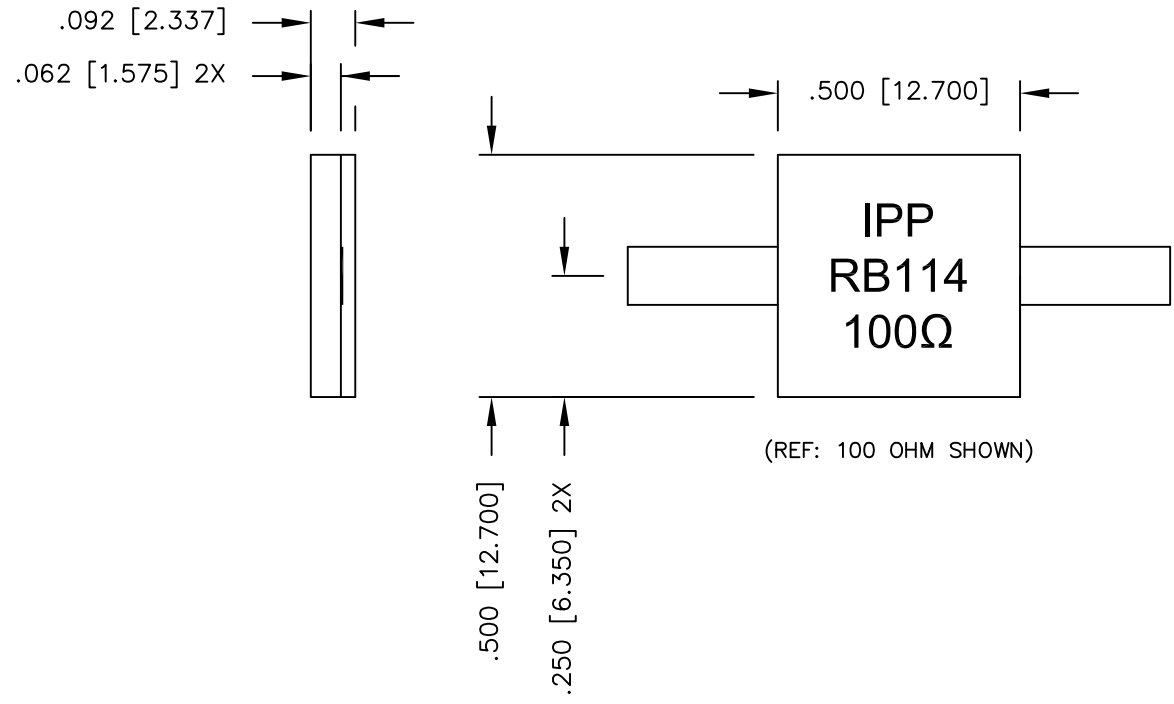


UNAUTHORIZED USE OF THIS  
DRAWING IS STRICTLY PROHIBITED

| DAR  | REV | DESCRIPTION                    | APPVD | DATE |
|------|-----|--------------------------------|-------|------|
| 1150 | A   | INITIAL RELEASE                | TJD   | 7-06 |
| 1171 | B   | MODIFY MARKING                 | TJD   | 8-06 |
| 1544 | C   | CHANGE LD HEIGHT & HEIGHT DIMS | DG    | 9-08 |
| 2035 | D   | SEE DAR                        | DG    | 9-09 |
| 3764 | E   | SEE DAR                        | DG    | 7-12 |
| 4358 | F   | SEE DAR                        | TJD   | 6-13 |



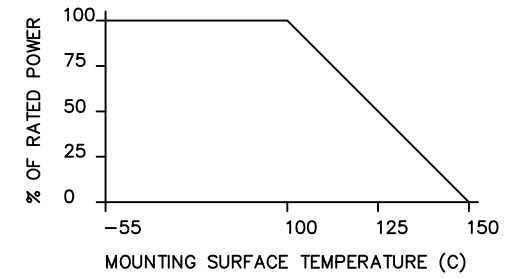
**NOTES:**

- LEAD MATERIAL: 99.99% PURE SILVER  
.120 [3.048] WIDE X .005 [.127] THICK.
- LEAD LENGTH: .250 [6.350] MIN.
- SUBSTRATE MATERIAL: BeO, COVER MATERIAL: Al<sub>2</sub>O<sub>3</sub>.
- DIMENSIONS: INCHES, [mm].
- BOTTOM SIDE METALIZATION: THICK FILM PLATINUM SILVER.
- RoHS COMPLIANT.

ELECTRICAL SPECIFICATIONS

INPUT POWER: 400 WATT  
 FREQUENCY: DC - 1.0 GHZ.  
 CAPACITANCE: 6 pF

POWER DERATING CURVE



| PART NO.      | VALUE    | TOLERANCE |
|---------------|----------|-----------|
| IPP-RB114-25  | 25 OHMS  | +/- 5%    |
| IPP-RB114-50  | 50 OHMS  | +/- 5%    |
| IPP-RB114-75  | 75 OHMS  | +/- 5%    |
| IPP-RB114-100 | 100 OHMS | +/- 5%    |
| IPP-RB114-200 | 200 OHMS | +/- 5%    |

|           |                                     |                  |           |                                  |                                |
|-----------|-------------------------------------|------------------|-----------|----------------------------------|--------------------------------|
| MATERIAL  | [3]                                 | DWN DG           | DATE 7-06 | <b>Innovative Power Products</b> |                                |
| FINISH    | [5]                                 | ENG TJD          | DATE 7-06 |                                  |                                |
| TOLERANCE | .XX ±.02 [.50]<br>.XXX ±.010 [.254] | MANUF TP         | DATE 7-06 | TITLE                            | RESISTOR, 400 WATT, FLANGELESS |
| IN [MM]   |                                     | CAGE CODE: 437R2 |           | P/N                              | IPP-RB114-XXX                  |
|           |                                     | SHEET OF 1 1     | SCALE 4:1 | REV.                             | F                              |