



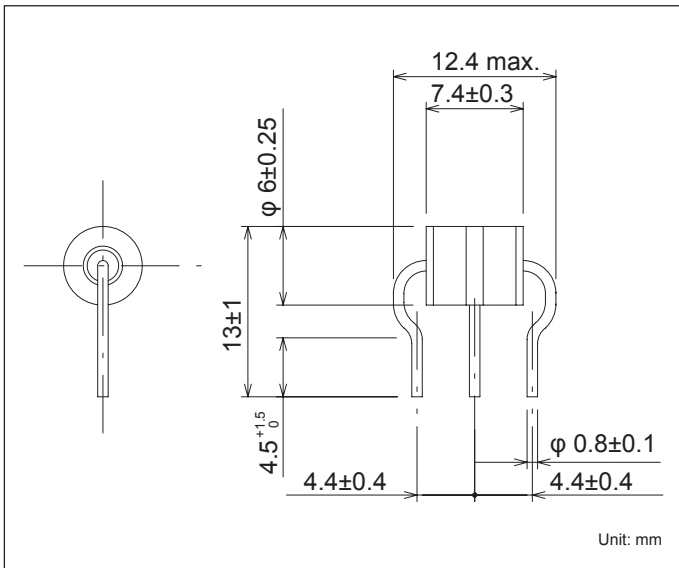
**Features**

- Quick response for surge.
- High impulse current capacity.
- It can withstand alternating current.
- Excellent insulation resistance and small capacitance.
- Recommendation of ITU-T conformity.

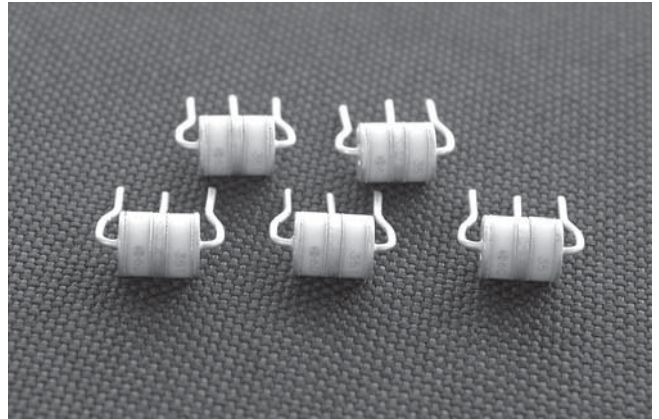
**Applications**

- Telephone, PBX, Wireless base station, Optical transmission equipments, CATV transmission equipments, Fire alarm systems and Home security systems. RoHS restriction complied.

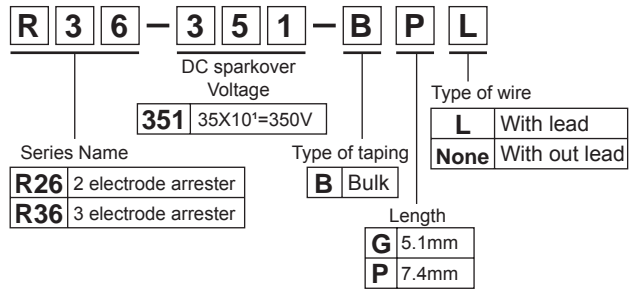
• *Dimensions*



Safety Standard	File No.
UL :UL497B	E139599



• Model numbering system



**Electrical Specifications**

(Conforms to ITU-T)

Safety Standard	Model Number	DC Sparkover Voltage 100V/s ~ 2,000V/s (V) ±20%	Impulse Sparkover Voltage 100V/μs (V)	Impulse Discharge Current 8/20μs (A)	Alternating Discharge Current 50Hz, 1s 10 times (A)	Impulse Life Test 10/1,000μs 50A (times)	Insulation Resistance min. (MΩ)	Capacitance max. (pF)
	R36-900-BPL	90	450	5,000	5	300	10 <sup>4</sup>	1.0
	R36-231-BPL	230	600					
	R36-251-BPL	250						
	R36-351-BPL	350	750					
	R36-421-BPL	420	900					
	R36-601-BPL	600	1,300					