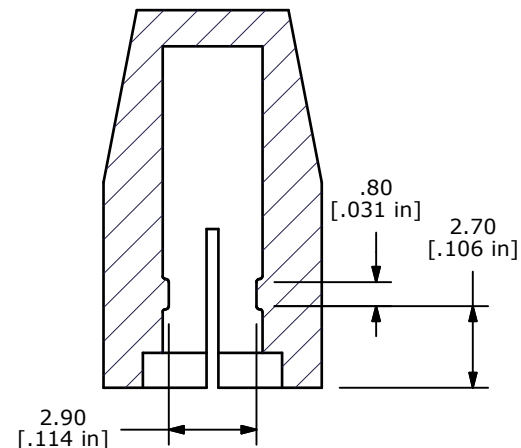
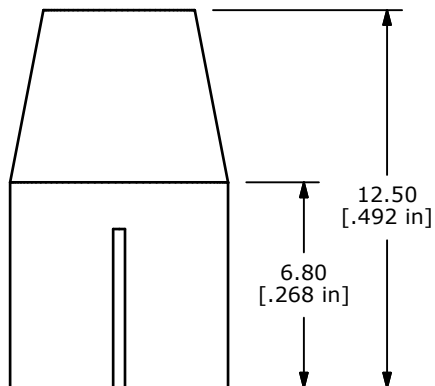


SECTION A-A  
SCALE 4 : 1



SECTION B-B  
SCALE 4 : 1

NOTES:

1. ALL DIMENSIONS IN MM[INCH]
2. GENERAL TOLERANCE: X.XX=± 0.15
- ▲3. MATERIAL: ABS UL94HB
- ▲4. COLOR: BLACK, PANTONE 3C
5. ▲ DENOTES CRITICAL PARAMATER
6. 2002/95/EC (ROHS) COMPLIANT



B	17595	CHANGED DETENT RIBS POSITION	8/27/07	BF
A	15172	NEW RELEASE	8/17/05	PV
REV	PCR NO	DESCRIPTION	DATE	BY

TITLE TAMBLK				
SCALE 4:1	DATE 8/27/2007	DR BF	DWG T041641	REV B

THE INFORMATION CONTAINED IN THIS DOCUMENT IS PROPRIETARY TO E-SWITCH AND IS NOT TO BE COPIED OR TRANSFERRED