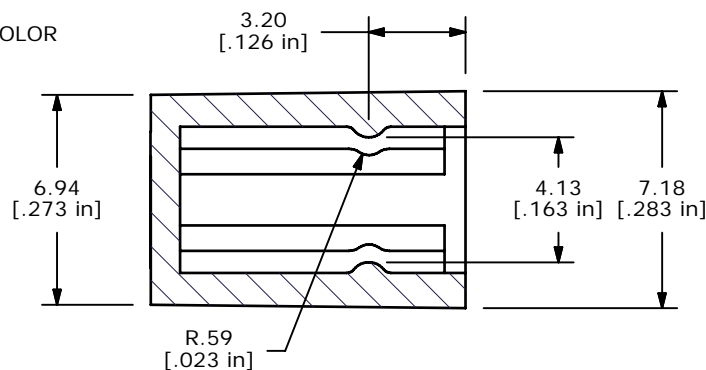
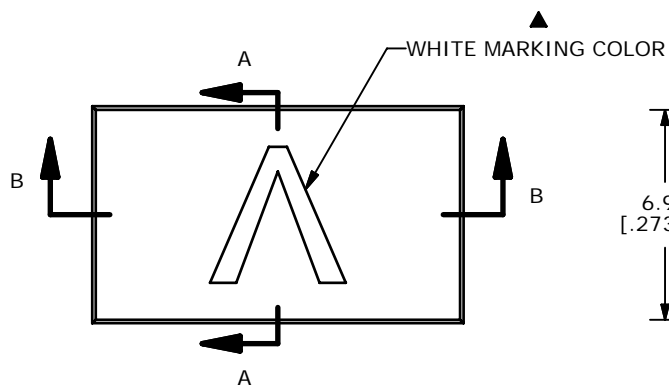
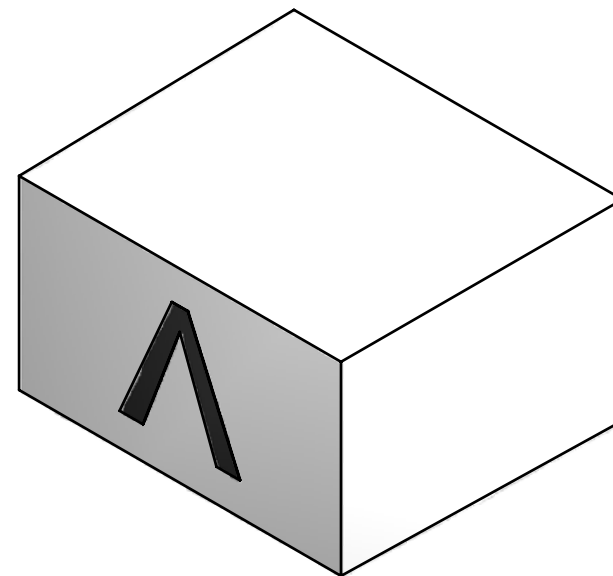
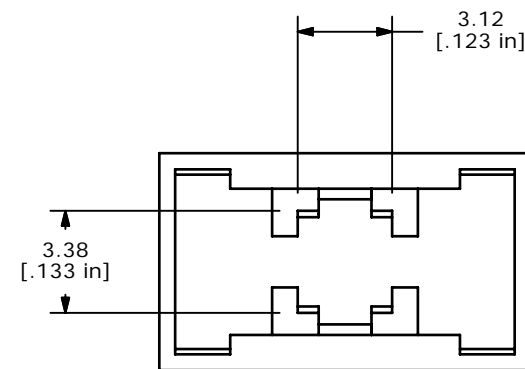


SECTION B-B  
SCALE 4 : 1



SECTION A-A  
SCALE 4 : 1



NOTES:

1. ALL DIMENSIONS IN MM
2. GENERAL TOLERANCE: X.XX±0.15
- ▲3. MATERIAL: ABS UL94HB
- ▲4. COLOR: BLACK (T041631)
5. ▲ DENOTES CRITICAL PARAMETER
6. 2002/95/EC (ROHS) COMPLIANT



B	20566	Change from White to Black button	4/24/12	rc
A	20400	RELEASE FOR PRODUCTION	1/12/12	BGL
REV	PCR NO	DESCRIPTION	DATE	BY

TITLE TADBLKWHTARROWUPDOWN				
SCALE 4:1	DATE 1/12/2012	DR BGL	DWG T041646	REV B

THE INFORMATION CONTAINED IN THIS DOCUMENT IS PROPRIETARY TO E-SWITCH AND IS NOT TO BE COPIED OR TRANSFERRED