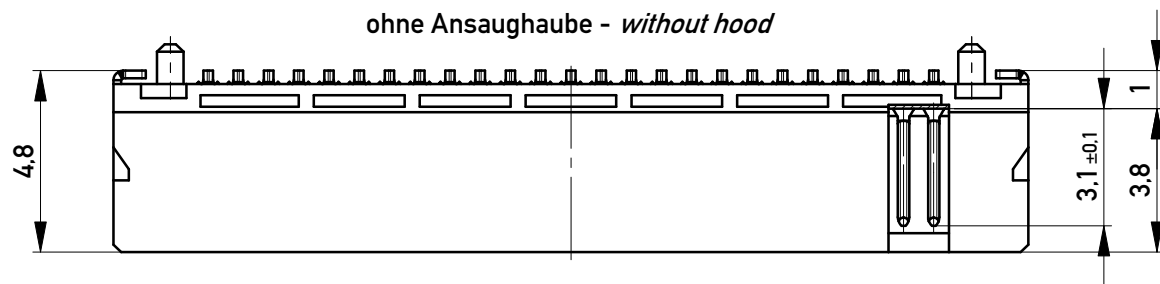
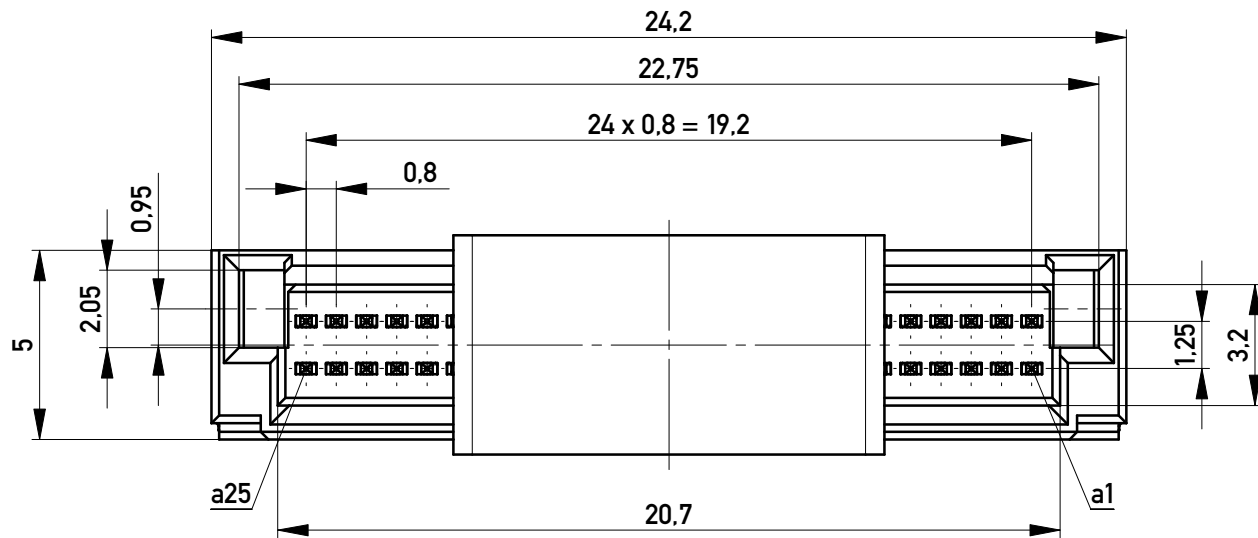
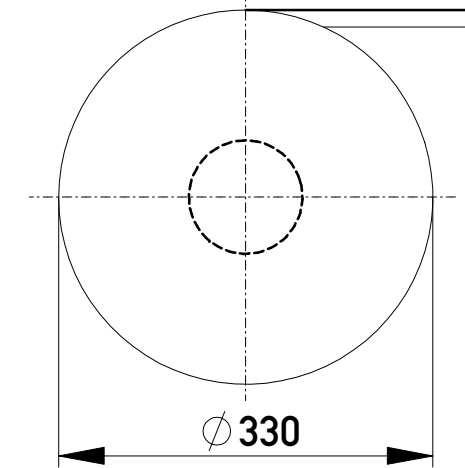
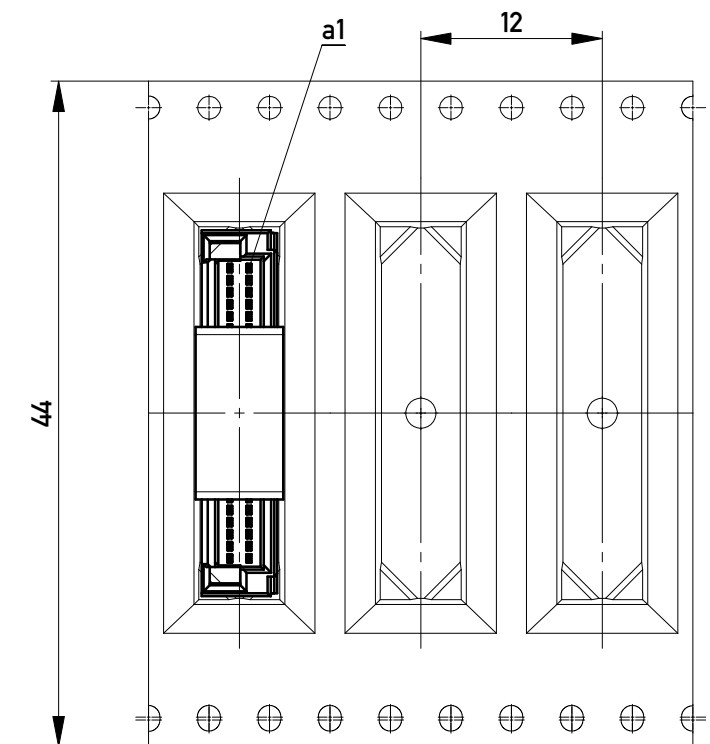


Verpackt in Gurtverpackung
Tape on Reel Packaging
 Verpackungseinheit: 720 Stück
Packaging unit: 720 pcs



Abspulrichtung - *Reel off Direction* →



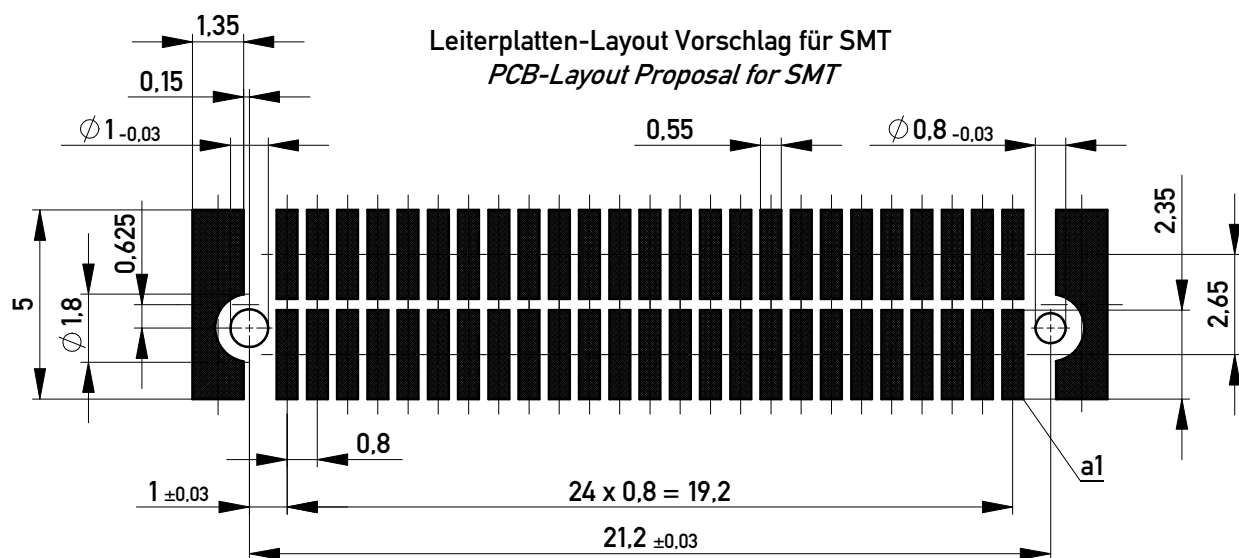
Anforderungsstufe 2
Performance Level 2

Kontaktbereich vergoldet
Mating Area gold plating

Anschlussbereich verzinkt 4-6 µm
Terminal Area 4-6 µm tin plating

Koplanarität der Anschlüsse ≤ 0.1 mm
Coplanarity Area of Termination ≤ 0.1 mm

Leiterplatten-Layout Vorschlag für SMT
PCB-Layout Proposal for SMT



Copyright by ERNI GmbH
 Proprietary notice pursuant to ISO 16016 to be observed.

Information:		Tolerances	 All Dimensions in mm	Scale	5:1
All rights reserved. Only for Information. To ensure that this is the latest version of this drawing, please contact one of the ERNI companies before using.		Subject to modification without prior notice. Drawing will not be updated.		Designation	0,8 DRC-Q, M 1mm, 50 polig 0,8 DRC-Q, M 1mm, 50 pin
 www.ERNI.com		100602650001		K	A3
b	24.09.2012	Class		DRCQ	
Index	Date				