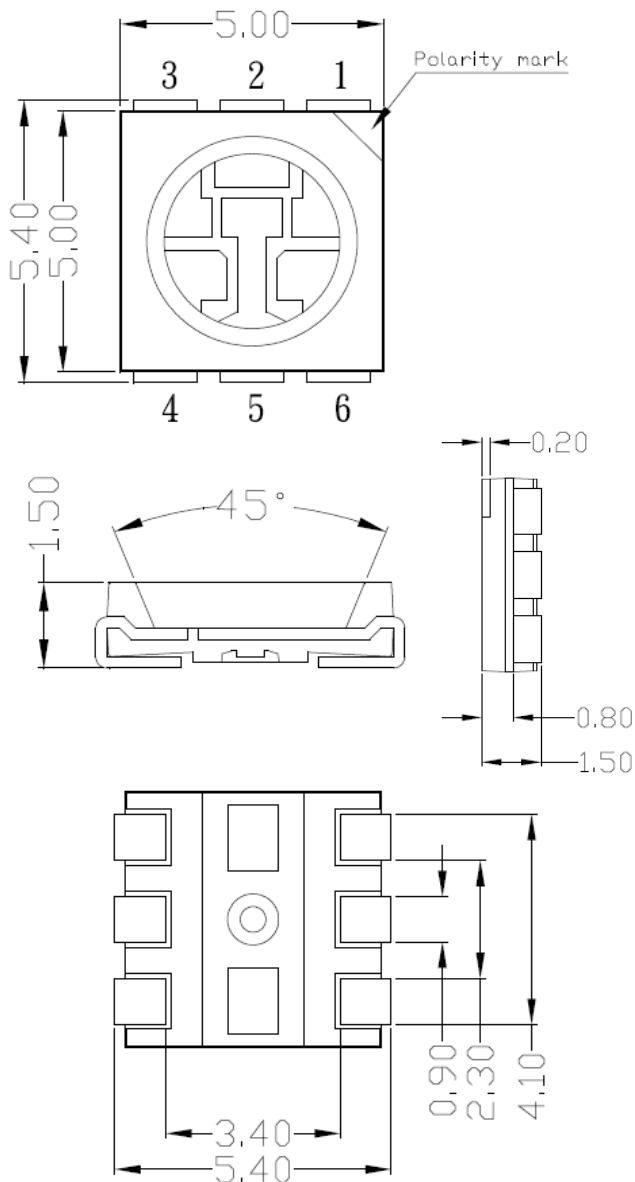
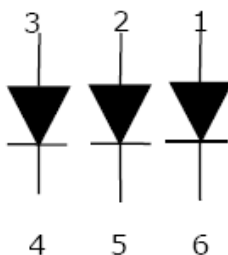
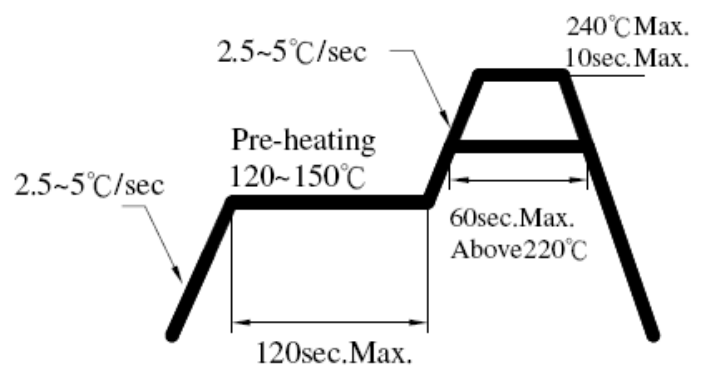


SURFACE MOUNT LED LAMPS**Power White Surface Mount Device****Part Number: 61-23UWC****Package outlines & Re-flow Profile**

For reflow soldering (Propose)

**Reflow Temp/Time****Soldering iron**

Basic spec is $\leq 5\text{sec}$ when 260°C . If temperature is higher, time should be shorter ($+10^\circ\text{C} \rightarrow -1\text{sec}$). Power dissipation of iron should be smaller than 15W, and temperatures should be controllable. Surface temperature of the device should be under 230°C .

ITEM	MATERIALS
Resin (mold)	Epoxy
Lens color	Yellow Diffused
Printed circuit board	BT
Emitted color	White
Material	InGaN

NOTES:

- All dimensions are in millimeters (inches);
- Tolerances are $\pm 0.1\text{mm}$ (0.004inch) unless otherwise noted.
- Polarity referring onto the cathode mark is reversed on the red.



A-BRIGHT INDUSTRIAL CO., LTD.

SURFACE MOUNT LED LAMPS

Part Number: 61-23UWC

ELECTRO-OPTICAL CHARACTERISTICS

(T_A=25°C)

Parameter	Test Condition	Symbol	Value			Unit
			MIN.	TYP.	MAX.	
Viewing angle at 50% I _v	I _F =10mA	2θ 1/2	120			Deg
Forward voltage	I _F =20mA	V _F	2.8	---	3.8	V
Luminous intensity	I _F =40mA*3line	I _v	2600	3250	---	mcd
Peak pulsing current (1/10 duty f=1kHz)		I _{FP}	100			mA

Absolute maximum ratings

(T_A=25°C)

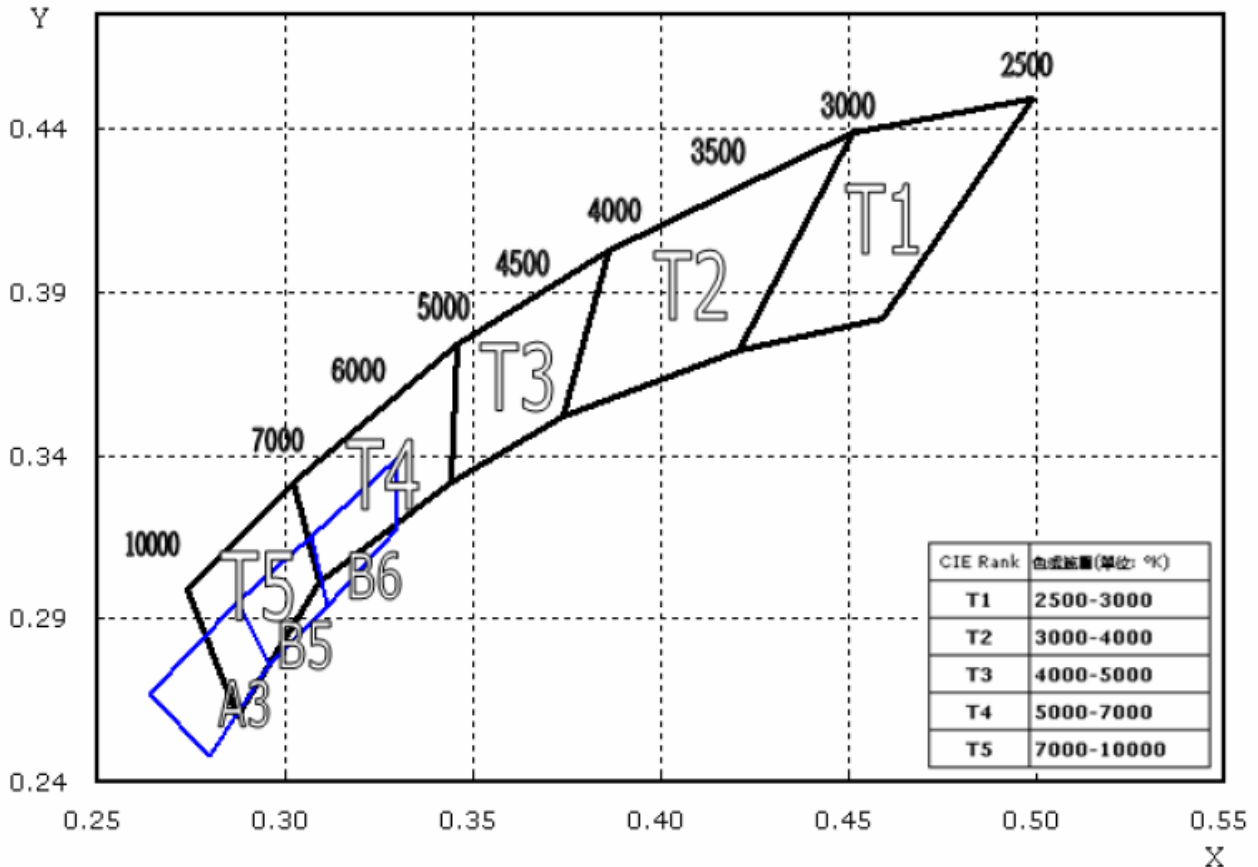
Parameter	Symbol	Value	Unit
Forward current	I _F	60	mA
Reverse voltage	V _R	5	V
Reverse current	I _R	10	μA
Power Consumptoin	P _C	230	mW
Operating temperature range	Top	-40 ~+85	°C
Storage temperature range	Tstg	-40 ~+100	°C

SURFACE MOUNT LED LAMPS

Part Number: 61-23UWC

CIE Chromaticity Diagram & Color Ranks

CIE Chromaticity Diagram



Color Ranks

T1		T2		T3		T4		T5	
x	y	x	y	x	y	x	y	x	y
0.499	0.449	0.451	0.439	0.386	0.403	0.346	0.374	0.302	0.332
0.459	0.382	0.421	0.372	0.374	0.352	0.344	0.332	0.309	0.301
0.421	0.372	0.374	0.352	0.344	0.332	0.309	0.301	0.287	0.260
0.451	0.439	0.386	0.403	0.346	0.374	0.302	0.332	0.274	0.299

A3		B5		B6	
x	y	x	y	x	y
0.287	0.295	0.307	0.315	0.330	0.339
0.296	0.276	0.311	0.294	0.330	0.318
0.280	0.248	0.296	0.276	0.311	0.294
0.264	0.267	0.287	0.295	0.307	0.315

* Color coordinates measurement allowance is ± 0.01

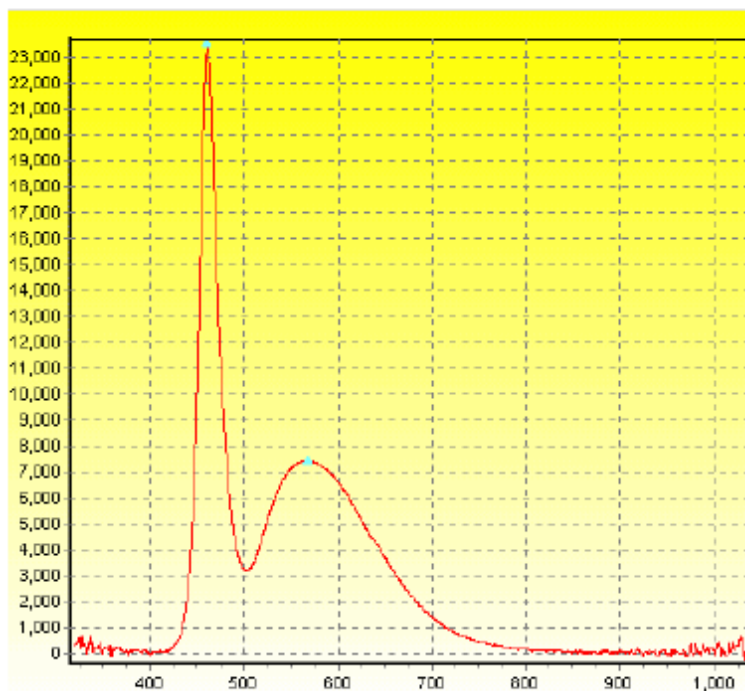
A-BRIGHT

A-BRIGHT INDUSTRIAL CO., LTD.

SURFACE MOUNT LED LAMPS

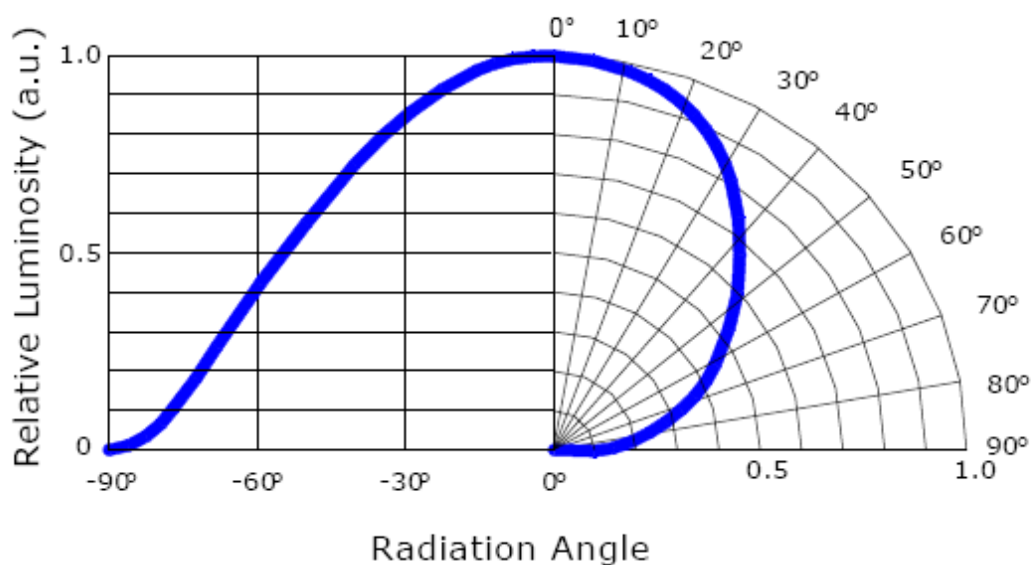
Part Number: 61-23UWC

Typical Electro-Optical Characteristic Curves



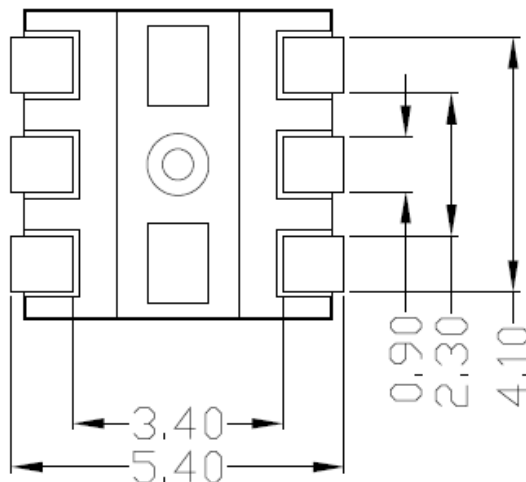
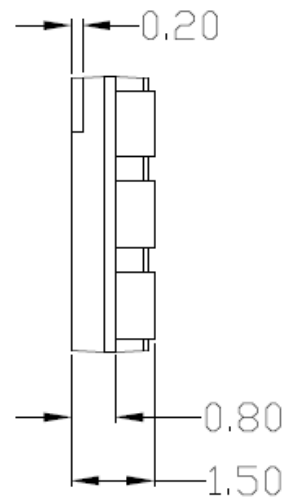
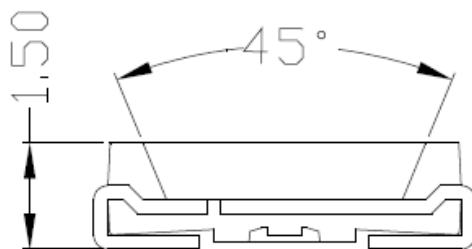
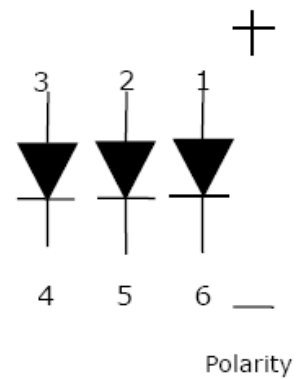
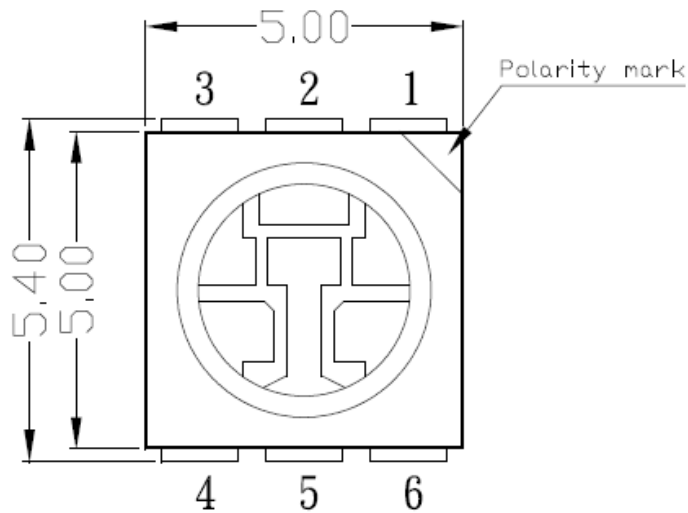
* White Color

Beam Pattern



SURFACE MOUNT LED LAMPS

Part Number: 61-23UWC

Taping Dimension (Unit=mm)

1. All dimensions are in millimeters.
2. Tolerances are ± 0.1 mm, unless otherwise noted.

A-BRIGHT A-BRIGHT INDUSTRIAL CO., LTD. **SURFACE MOUNT LED LAMPS**

Part Number: 61-23UWC

Precautions For Use

1. Over-current proof

Customer must apply resistors for protection, otherwise slight voltage shift will cause big current change (Burn out will happen).

2. Storage

2.1 Do not open moisture proof bag before the products are ready to use.

2.2 Before opening the package, the LEDs should be kept at 30°C or less and 90%RH or less.

2.3 The LEDs should be used within a year.

2.4 After opening the package, the LEDs should be kept at 30°C or less and 70%RH or less.

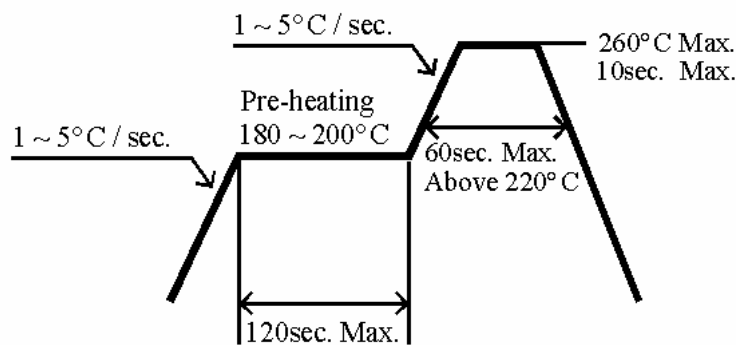
2.5 The LEDs should be used within 168 hours (7 days) after opening the package.

2.6 If the moisture absorbent material (silica gel) has faded away or the LEDs have exceeded the storage time, baking treatment should be performed using the following conditions.

Baking treatment : 60±5°C for 24 hours.

3. Soldering Condition

3.1 Pb-free solder temperature profile



3.2 Reflow soldering should not be done more than two times.

3.3 When soldering, do not put stress on the LEDs during heating.

3.4 After soldering, do not warp the circuit board.

4. Soldering Iron

Each terminal is to go to the tip of soldering iron temperature less than 280°C for 3 seconds within once in less than soldering iron capacity 25W. Leave two seconds and more intervals, and do soldering of each terminal. Be careful because the damage of the product is often started at the time of the hand solder.