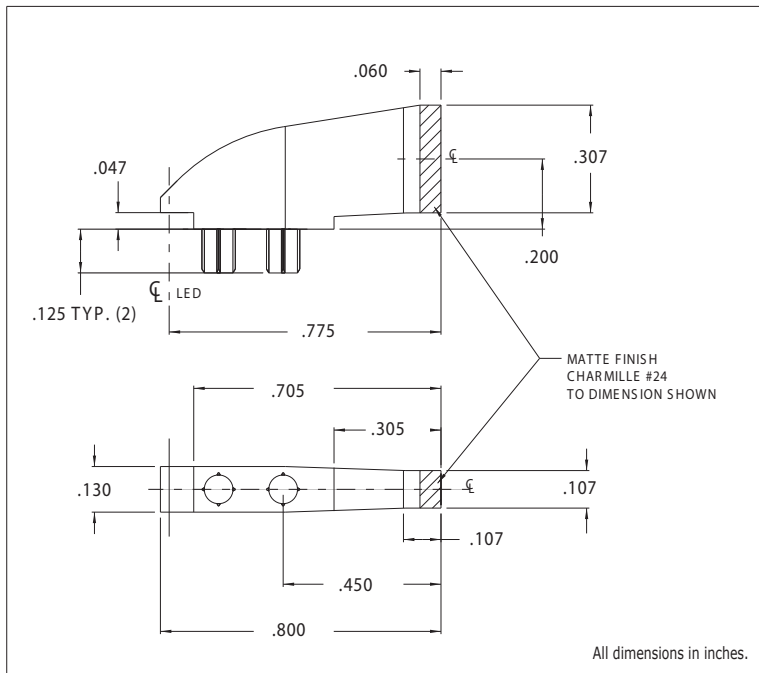


7610D2 Series 2.5 x 7.5 Bright Pipes™ Optical Lightpipes

Description and Features



- Precision engineered with **ray tracing** for bright, optically precise even indication and attractive appearance.
- ESD protection from circuitry for exceptional reliability.
- Optimized for use with Bright ★ Chips™ SMT LEDs.
- High contrast and wide viewing angle for greater visibility.
- Available in a variety of colors for added contrast and aesthetics.
- Parts inserted after reflow to permit LED pad inspection before assembly.
- Low profile for height constrained applications.
- Large 2.5 x 7.5 mm surface provides high visibility.
- Ideal for bar graph displays.
- 7610D2 is designed for use with 7012X Series Bright Chip LEDs.

Refer to "Mounting Hole Pattern 2.pdf"