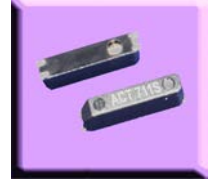


ACT711S

The ACT711S is an ultra thin, plastic moulded package with a maximum height of 1.4 mm. The package contains a highly reliable cylinder type quartz crystal and is ideally suitable for automatic insertion, especially where PCB component mounting space is at a premium.

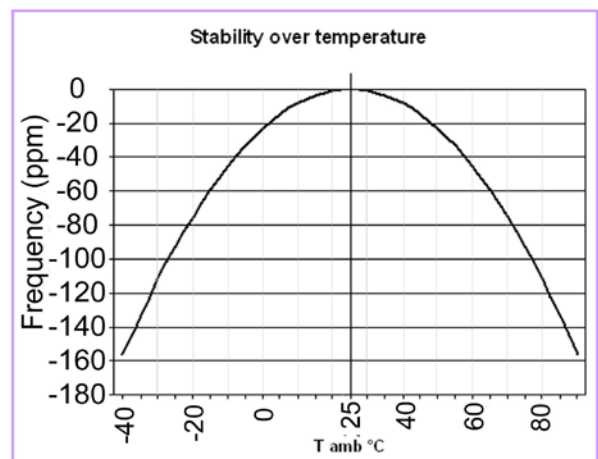
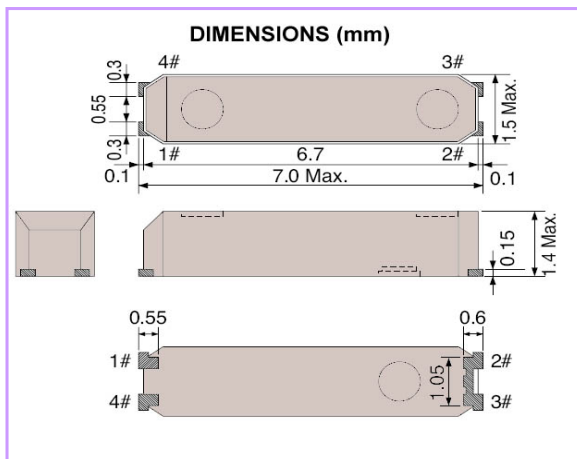
Applications include Wireless Communications Equipment, Pagers, PDAs, Cellular Phones, Portable applications, and a variety of clock sources.

Compatible with Eu Directive
 2002/95/EC - RoHS
 Contains Pb>85% high melting
 point solder exempted from
 Article 4(1) of the directive

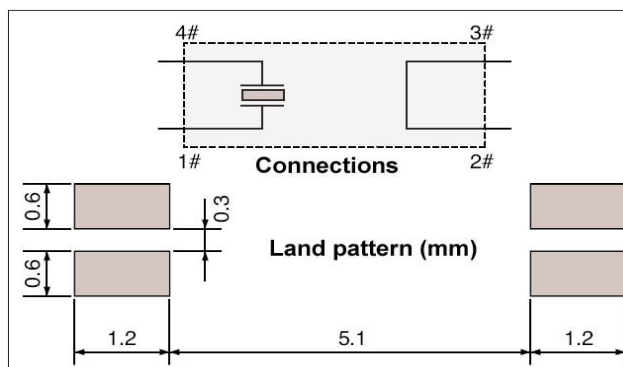


Specification

Parameter	Symbol	Specification
Frequency Range	fo	32.768KHz
Frequency Tolerance	$\Delta f/fo$	$\pm 20\text{ppm}$, $\pm 50\text{ppm}$, $\pm 100\text{ppm}$
Frequency v Temperature @25°C	TC	Please See Drawing
Turnover Temperature	Tp	+25°C $\pm 5^\circ\text{C}$
Temp. Coefficient	K	$(-3.5 \pm 1.0) \times 10^{-8}/^\circ\text{C}^2$
Temp Operating Range	Topr	-40 ~ +85°C
Temp Storage Range	Tstg	-55 ~ +125°C
Equivalent Series Resistance	ESR	65K Ω max
Shunt Capacitance	C ₀	0.8pF typical
Load Capacitance	C _L	12.5pF (7.0pF option)
Drive Level	DL max	1.0 μW (0.1 μW Recommended)
Aging	Fa	$\pm 3\text{ppm}$ max 25°C $\pm 3^\circ\text{C}$, First Year
Reflow Profile	Tsol	260°C max x 5 secs x 2 times (max IR reflow)



The surface of the Cylinder crystal, within this device, may sometimes be exposed through the surface of the moulded resin body; this in no way affects the operation or characteristics of the device.



Pad Plating Material SnBi

Please note that all parameters can not necessarily be specified in the same device

Customer to specify: Frequency Tolerance, Load capacitance

In line with our ongoing policy of product evolution and improvement, the above specification may be subject to change without notice

ISO9001:2000 Registered

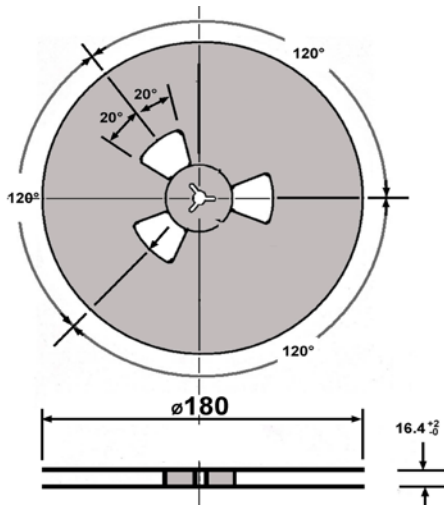
For quotations or further information please contact us at:

3 The Business Centre, Molly Millars Lane, Wokingham, Berkshire, RG41 2EY, UK

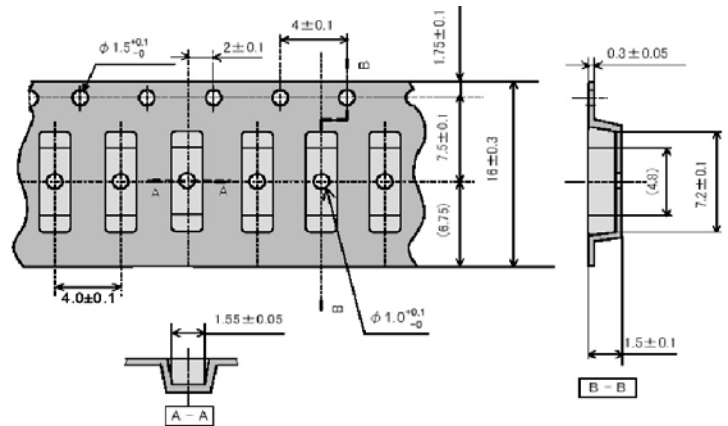
<http://www.actcrystals.com>

ACT711S TAPE & REELING SPECIFICATION cont'd

REEL DIMENSIONS (mm)

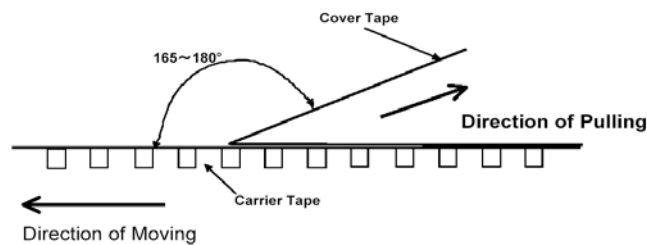


CARRIER TAPE DIMENSIONS (mm)



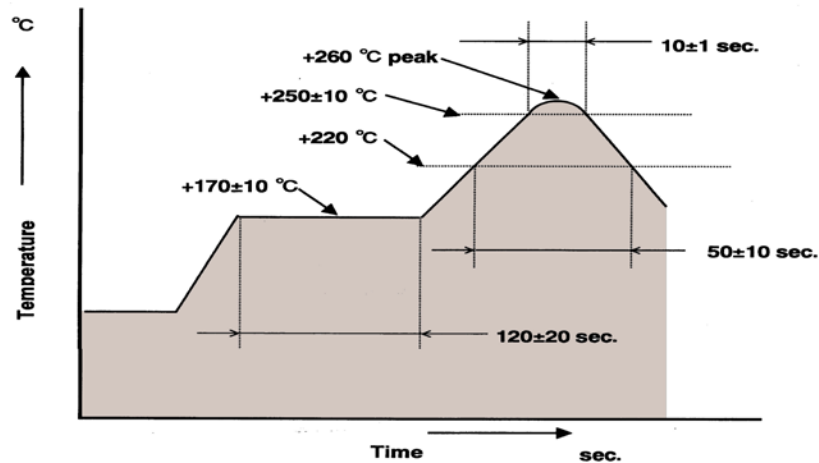
Standard Reel Quantity 3.000

Tape Peel Strength:



Using method above the force to start the tape peeling with a pull speed of 300±10 mm/min shall be 0.1~1.3N.

ACT711S REFLOW SOLDERING PROFILE



In line with our ongoing policy of product evolution and improvement, the above specification may be subject to change without notice

ISO9001:2000 Registered

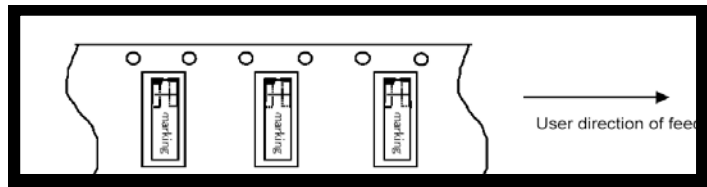
For quotations or further information please contact us at:
3 The Business Centre, Molly Millars Lane, Wokingham, Berkshire, RG41 2EY, UK
<http://www.actcrystals.com>

ACT711S TAPE & REELING SPECIFICATION

Standard Reel Quantity 3.000

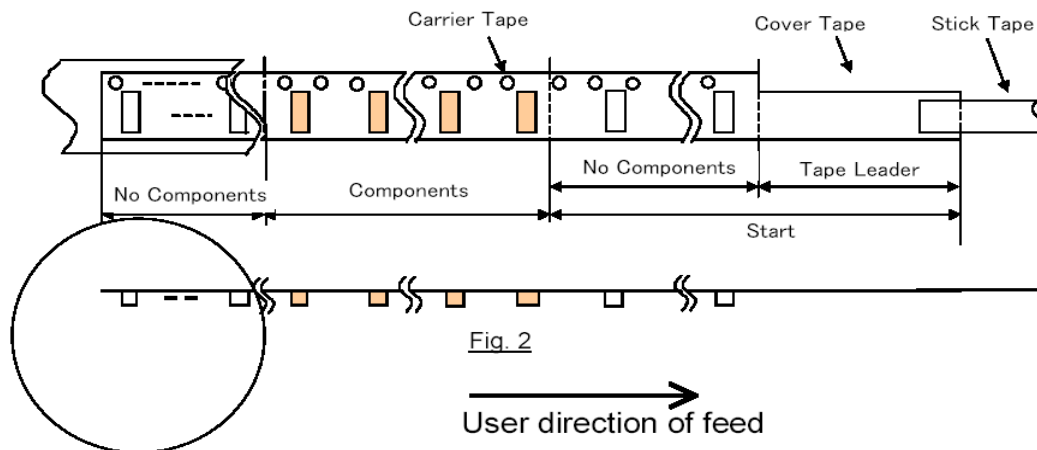
MATERIAL Tape A_PET
 Reel Cardboard

ORIENTATION IN CARRIER TAPE

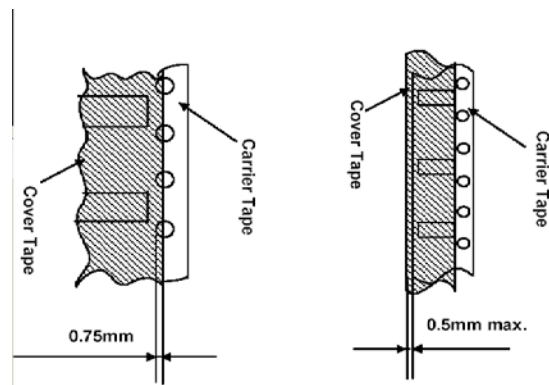


LAYOUT OF TAPE

No Components 20 Pockets Minimum
 Cover Tape Leader 150mm Minimum
 Start of carrier tape bent vertically and hooked into reel slot.



COVER TAPE OVERLAP



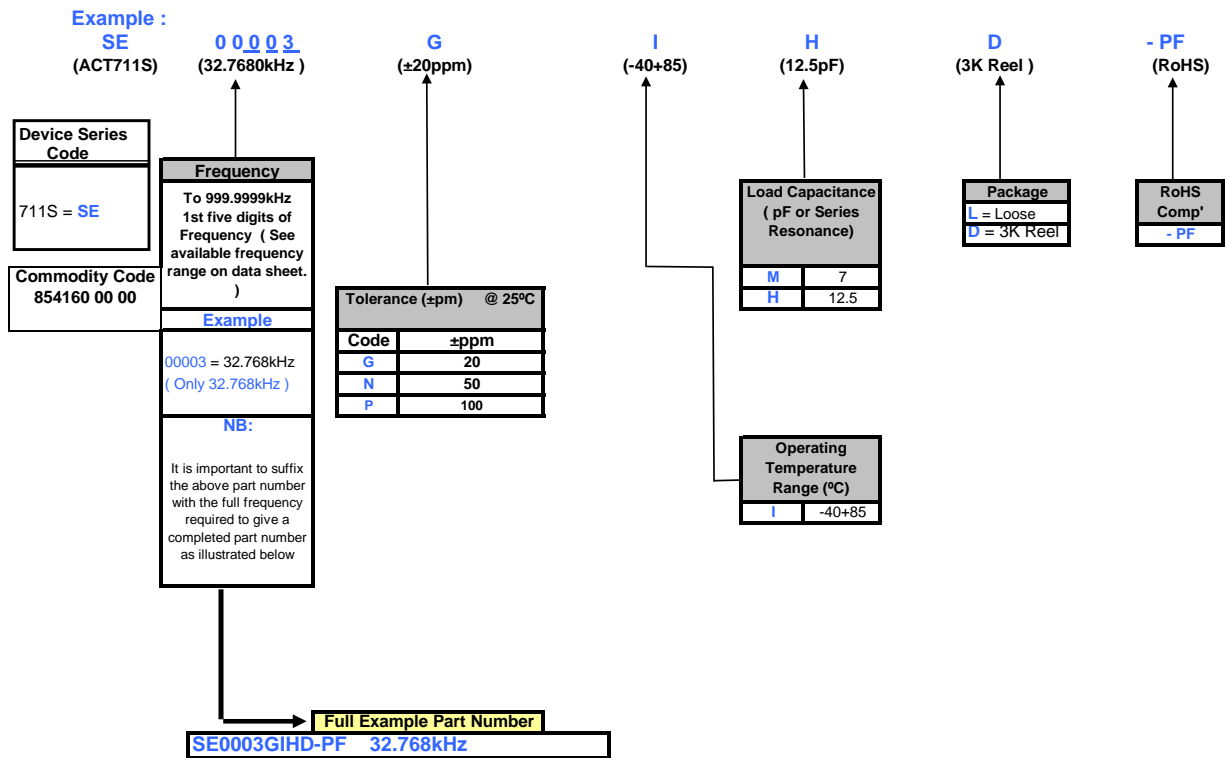
In line with our ongoing policy of product evolution and improvement, the above specification may be subject to change without notice

ISO9001:2000 Registered

For quotations or further information please contact us at:
 3 The Business Centre, Molly Millars Lane, Wokingham, Berkshire, RG41 2EY, UK
<http://www.actcrystals.com>

Issue: 11 I3
 Date: 13-02-2013

ACT711S WATCH CRYSTAL (32.768kHz) - PART NUMBERING & COMMODITY CODE



NOTES :

- Other Tolerances, CL's and other Operating Temperature Ranges may be available.
 As each of these specification parameters impact on each other, it is not always possible to combine all options in one device. Therefore, if a specification not catered for above is required, please contact us directly for the relevant part number code(s).
- ACT are always happy to consider truly custom specification parts which may require non-standard specification parameters, specific testing, customer requested AQL requirements, non standard packaging or taping and reeling and custom marking. (MOQ DEPENDENT) Such devices would normally be allocated a custom specification (An ACT711S device may have a part number such as SE00003C- C1101-PF)
- Stability Over Operating Temperature (°C) please refer to the data.

ISO9001 Registered

For quotations or further information please contact us at:
 3 The Business Centre, Molly Millars Lane, Wokingham, Berkshire, RG41 2EY, United Kingdom
<http://www.actcrystals.com>

Issue: 11 I3
 Date: 13-02-2013