

# Customer Information Sheet

DRAWING No.: M300-FV3064500

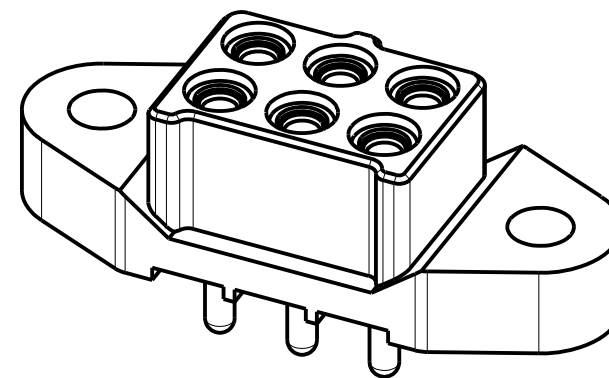
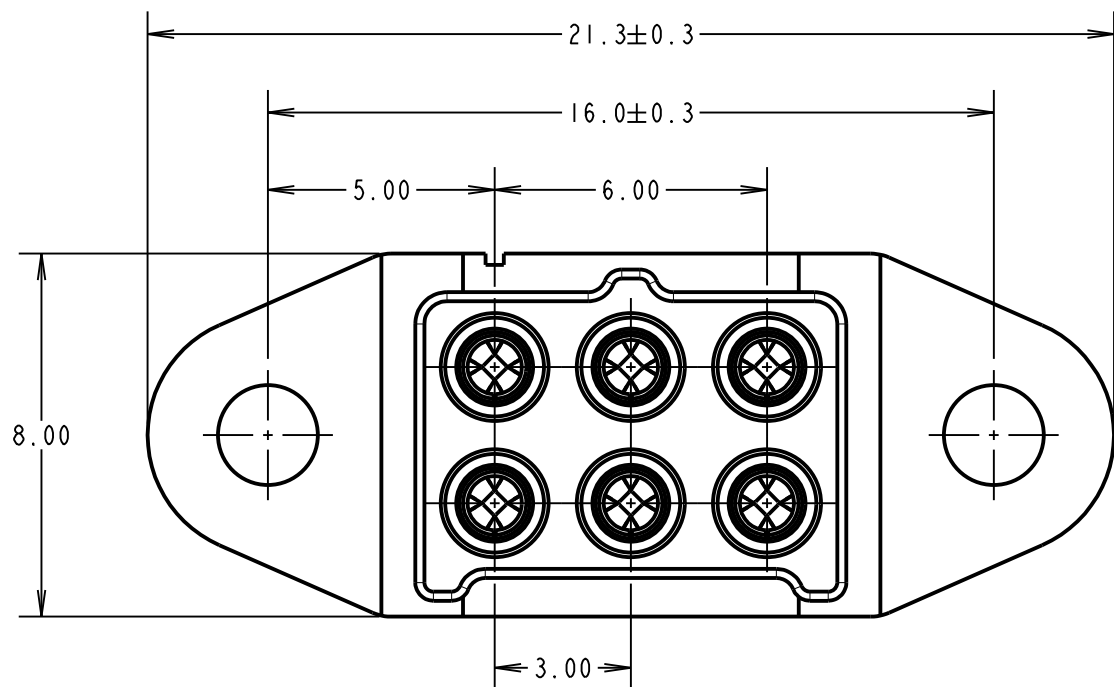
IF IN DOUBT - ASK

(C)

NOT TO SCALE

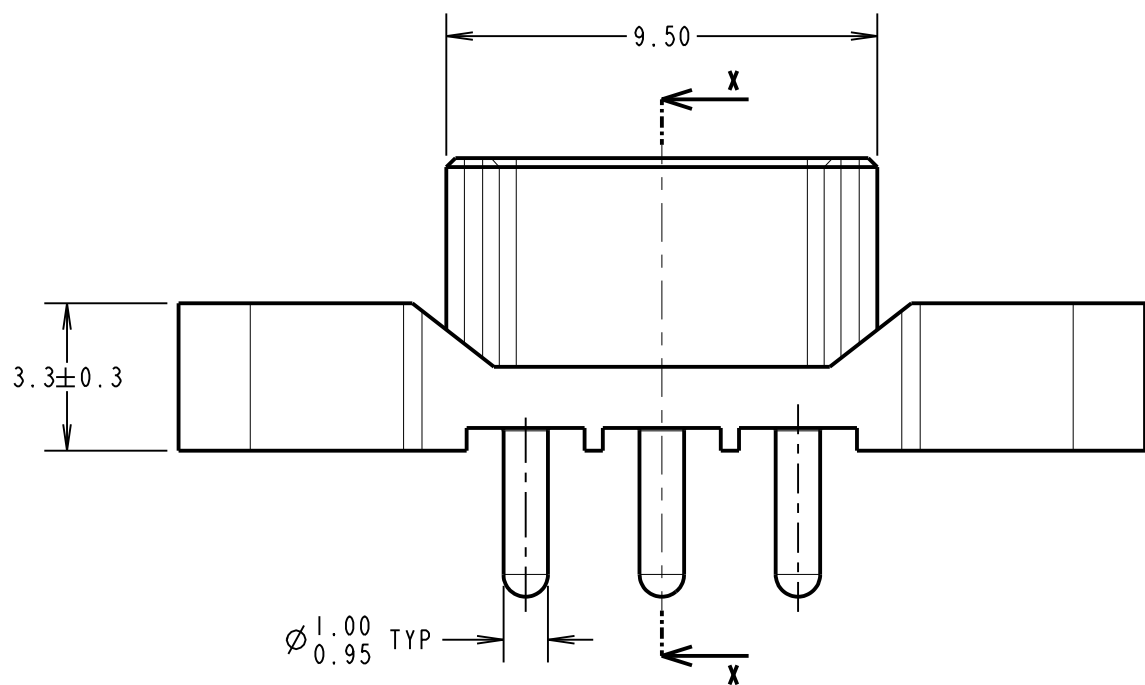
THIRD ANGLE PROJECTION

ALL DIMENSIONS IN mm

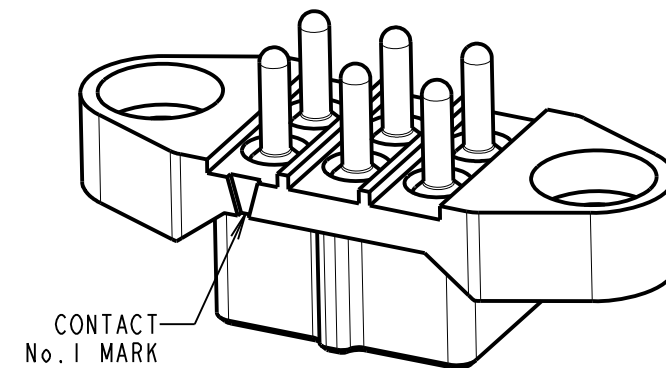
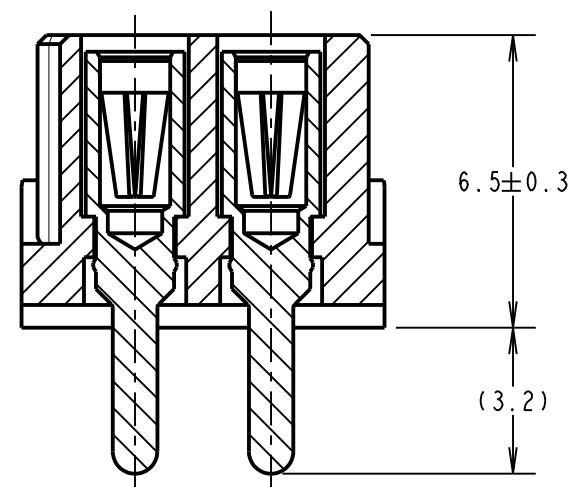


**SPECIFICATIONS:**

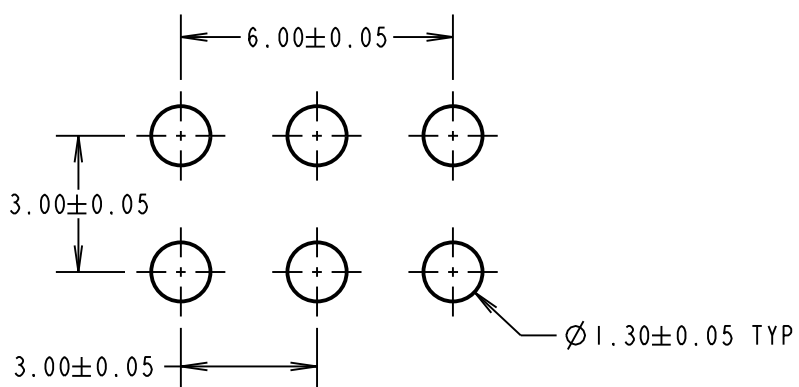
**MATERIAL:**  
 MOULDING = GLASS-FILLED PA46 UL94V-0, GREEN  
 CONTACT CLIP = BERYLLIUM COPPER  
 CONTACT SHELL = BRASS  
**FINISH (ALL OVER NICKEL):**  
 0.10/0.17µ GOLD CLIP, 0.25/0.30µ GOLD SHELL  
**ELECTRICAL:**  
 CURRENT RATING = 10A MAX  
 WORKING VOLTAGE = 600V AC/DC  
 VOLTAGE PROOF = 1800V AC/DC  
 CONTACT RESISTANCE = 6mΩ MAX  
 INSULATION RESISTANCE = 100MΩ MIN  
**MECHANICAL:**  
 DURABILITY = 1000 OPERATIONS  
 INSERTION FORCE (∅1.0mm GAUGE) = 9.0N MAX  
 WITHDRAWAL FORCE (∅1.0mm GAUGE) = 1.0N MIN  
**ENVIRONMENTAL:**  
 TEMPERATURE RANGE = -65°C TO +175°C  
**PACKING:**  
 TUBE  
 FOR COMPLETE SPECIFICATION, SEE COMPONENT SPECIFICATION C048XX (LATEST ISSUE)



SECTION X-X



**RECOMMENDED PCB LAYOUT**



MGP	1	11.12.15	13198
NAME	ISS.	DATE	C/NOTE
APPROVED: MGP			
CHECKED: SB			
DRAWN: MARK G PLESTED			
CUSTOMER REF.:			
ASSEMBLY DRG:			

**HARWIN**

www.harwin.com  
 technical@harwin.com

THIS DRAWING AND ANY INFORMATION OR DESCRIPTIVE MATTER SET OUT HEREON ARE CONFIDENTIAL AND COPYRIGHT PROPERTY OF THE HARWIN GROUP AND MUST NOT BE DISCLOSED, LOANED, COPIED OR USED FOR MANUFACTURING, TENDERING OR FOR ANY OTHER PURPOSE WITHOUT THEIR WRITTEN PERMISSION.

**TOLERANCES**

X. = ±1mm  
 X.X = ±0.50mm  
 X.XX = ±0.10mm  
 X.XXX = ±0.01mm  
 ANGLES = ±5°  
 UNLESS STATED

**MATERIAL:**

SEE ABOVE

**FINISH:**

SEE ABOVE

**S/AREA:**

mm<sup>2</sup>

**TITLE:** 1mm POWER CONNECTOR  
 DIL VERTICAL PC TAIL  
 FEMALE ASSEMBLY

**DRAWING NUMBER:**

**M300-FV3064500**

SHT  
 2 OF 2