



SMA Female Connector Solder Attachment 2 Hole Flange Mount Stub Terminal

TECHNICAL DATA SHEET

PE45039

Configuration

Connector	SMA Female
Connector Interface Type	Stub
Attachment Method (Shield/Contact)	Solder
Body Style	Straight
Mount Method	2 Hole Flange

Electrical Specifications

Frequency Range	DC to 18 GHz
Impedance	50 Ohms
Maximum VSWR	1.5:1
Maximum Insertion Loss	0.25 dB

Mechanical Specifications

Temperature

Operating Range	-65 to +165 deg C
-----------------	-------------------

Size

Length	0.108 in [2.74 mm]
Width/Dia.	0.223 in [5.66 mm]
Height	0.625 in [15.88 mm]

Connector

Type	SMA Female
Mating Cycles	500
Contact Material and Plating	Beryllium Copper, Gold
Contact Plating Specification	30µ in. minimum
Body Material and Plating	Brass, Gold
Body Plating Specification	10µ in. minimum
Dielectric Type	Teflon

Compliance Certifications (visit www.Pasternack.com for current document)

Not RoHS Compliant

Click the following link (or enter part number in "SEARCH" on website) to obtain additional part information including price, inventory and certifications: [SMA Female Connector Solder Attachment 2 Hole Flange Mount Stub Terminal PE45039](#)



SMA Female Connector Solder Attachment 2 Hole Flange Mount Stub Terminal

TECHNICAL DATA SHEET

PE45039

Plotted and Other Data

Notes:

- Values at +25 °C, sea level

SMA Female Connector Solder Attachment 2 Hole Flange Mount Stub Terminal from Pasternack Enterprises has same day shipment for domestic and International orders. Our RF, microwave and millimeter wave products maintain a 99% availability and are part of the broadest selection in the industry.

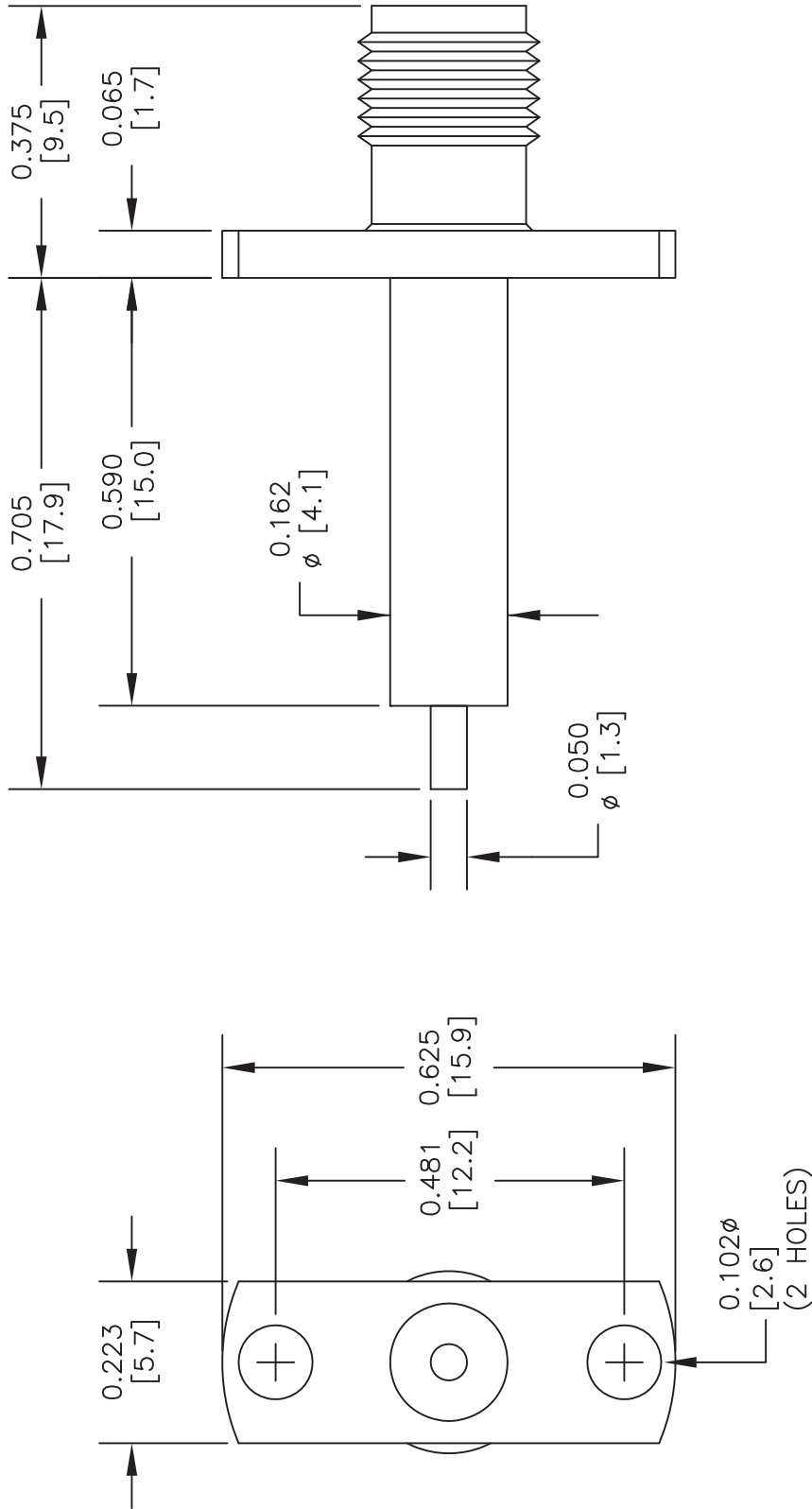
Click the following link (or enter part number in "SEARCH" on website) to obtain additional part information including price, inventory and certifications: [SMA Female Connector Solder Attachment 2 Hole Flange Mount Stub Terminal PE45039](http://www.pasternack.com/sma-female-stub-terminal-connector-pe45039-p.aspx)

URL: <http://www.pasternack.com/sma-female-stub-terminal-connector-pe45039-p.aspx>

The information contained in this document is accurate to the best of our knowledge and representative of the part described herein. It may be necessary to make modifications to the part and/or the documentation of the part, in order to implement improvements. Pasternack reserves the right to make such changes as required. Unless otherwise stated, all specifications are nominal. Pasternack does not make any representation or warranty regarding the suitability of the part described herein for any particular purpose, and Pasternack does not assume any liability arising out of the use of any part or documentation.

PE45039 CAD Drawing

SMA Female Connector Solder Attachment 2 Hole Flange Mount Stub Terminal



DWG TITLE

PE45039

- NOTES:
1. UNLESS OTHERWISE SPECIFIED ALL DIMENSIONS ARE NOMINAL.
 2. ALL SPECIFICATIONS ARE SUBJECT TO CHANGE WITHOUT NOTICE AT ANY TIME.
 3. DIMENSIONS ARE IN INCHES [mm].
 4. FITS MIL-C-17 AND EQUIVALENT CABLES.

FSCM NO. 53919

CAD FILE 052814

SCALE N/A

SIZE A

2233

(PE) PASTERNAK®
THE ENGINEER'S RF SOURCE

Pasternack Enterprises, Inc.
P.O. Box 16759 | Irvine | CA | 92623
Phone: (949) 261-1920 | Fax: (949) 261-7451
Website: www.pasternack.com | E-Mail: sales@pasternack.com