



6 dB Fixed Attenuator, SMA Male To SMA Female Rated To 25 Watts Up To 18 GHz

TECHNICAL DATA SHEET

PE7018-6

6 dB Fixed Attenuator, SMA Male To SMA Female Rated To 25 Watts Up To 18 GHz

**Configuration**

Design	Fixed, Bidirectional Attenuator
Connector 1	SMA Male
Connector 2	SMA Female

**Electrical Specifications**

Frequency Range, GHz	DC to 18
Impedance, Ohms	50
Attenuation Value, dB	6
Maximum Input Power, Watts	25
Maximum VSWR	1.4:1

**Frequency 1**

Range, GHz	DC to 18
VSWR	1.4:1
Attenuation Accuracy, dB	0.8

**Mechanical Specifications**

**Temperature**

**Size**

Length, in [mm]	3.8 [96.52]
Width, in [mm]	2.65 [67.31]
Height, in [mm]	2.65 [67.31]

**Connector 1**

Type	SMA Male
Connector Specification	MIL-STD-348
Hex Size, inch	5/16
Torque, in-lbs [Nm]	8 [0.9]

**Connector 2**

Type	SMA Female
Connector Specification	MIL-STD-348

**Compliance Certifications** (visit [www.Pasternack.com](http://www.Pasternack.com) for current document)

RoHS Compliant	Yes
----------------	-----

Click the following link (or enter part number in "SEARCH" on website) to obtain additional part information including price, inventory and certifications: [6 dB Fixed Attenuator, SMA Male To SMA Female Rated To 25 Watts Up To 18 GHz PE7018-6](#)

The information contained in this document is accurate to the best of our knowledge and representative of the part described herein. It may be necessary to make modifications to the part and/or the documentation of the part, in order to implement improvements. Pasternack reserves the right to make such changes as required. Unless otherwise stated, all specifications are nominal.





6 dB Fixed Attenuator, SMA Male To SMA  
Female Rated To 25 Watts Up To 18 GHz

## TECHNICAL DATA SHEET

PE7018-6

### Plotted and Other Data

Notes:

Values at 25 °C, sea level

URL: <http://www.pasternack.com/6db-fixed-sma-female-sma-male-25-watts-attenuator-pe7018-6-p.aspx>

6 dB Fixed Attenuator, SMA Male To SMA Female Rated To 25 Watts Up To 18 GHz from Pasternack Enterprises has same day shipment for domestic and International orders. Our RF, microwave and fiber optic products maintain a 99% availability and are part of the broadest selection in the industry.

The information contained in this document is accurate to the best of our knowledge and representative of the part described herein. It may be necessary to make modifications to the part and/or the documentation of the part, in order to implement improvements. Pasternack reserves the right to make such changes as required. Unless otherwise stated, all specifications are nominal.



# PE7018-6 CAD Drawing

6 dB Fixed Attenuator, SMA Male To SMA Female Rated To 25 Watts Up To 18 GHz

P/N	ATTEN.	FIGURE
PE7018-1	1 dB	1
PE7018-2	2 dB	1
PE7018-3	3 dB	1
PE7018-6	6 dB	1
PE7018-10	10 dB	1
PE7018-20	20 dB	1
PE7018-30	30 dB	1
PE7018-40	40 dB	1

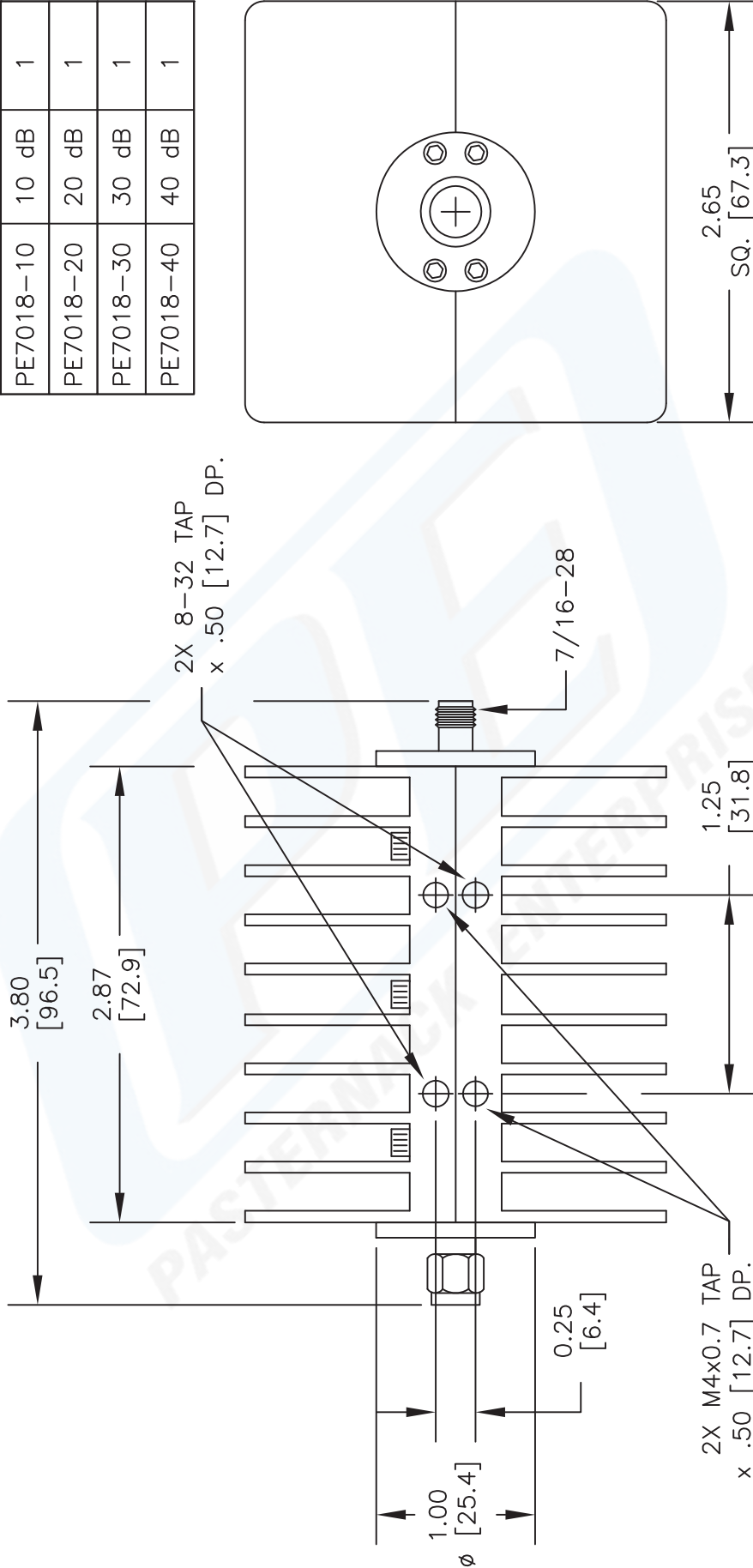


FIGURE 1 SMA MALE SMA FEMALE

NOTES:  
 1. UNLESS OTHERWISE SPECIFIED ALL DIMENSIONS ARE NOMINAL.  
 2. ALL SPECIFICATIONS ARE SUBJECT TO CHANGE WITHOUT NOTICE AT ANY TIME.  
 3. DIMENSIONS ARE IN INCHES [mm].

DWG TITLE  
**PE7018**  
 FSCM NO. 53919  
 CAD FILE 012313  
 SCALE N/A  
 SIZE A  
 2233

**PE PASTERNAK®**  
 Pasternack Enterprises, Inc.  
 P.O. Box 16759 | Irvine | CA | 92623  
 Phone: (949) 261-1920 | Fax: (949) 261-7451  
 Website: www.pasternack.com | E-Mail: sales@pasternack.com