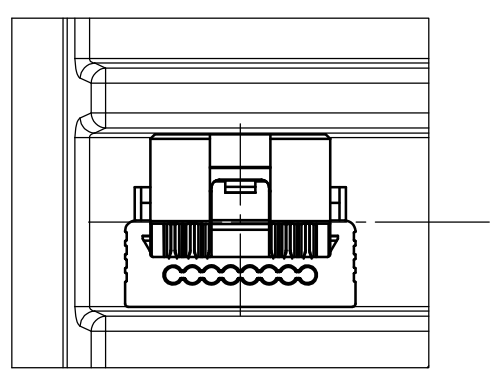
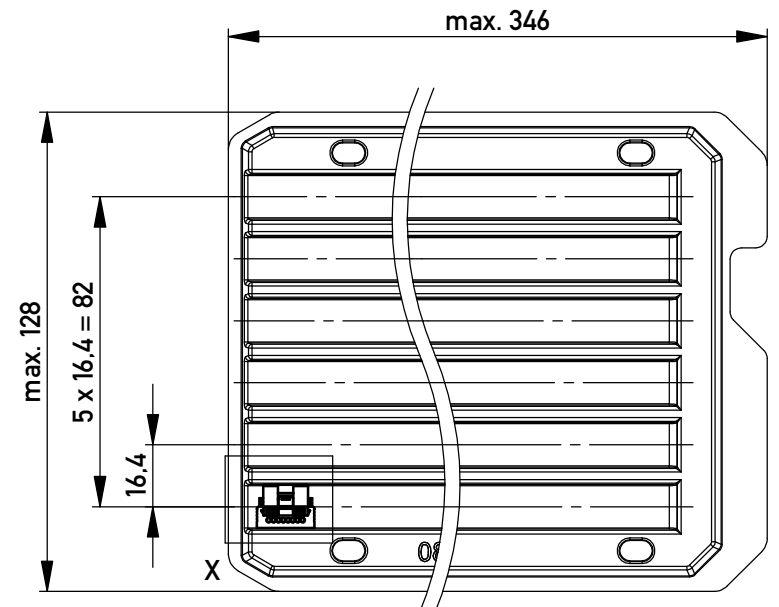


Einzelheit X - detail X
M 2:1



Verpackt in Tray - tray packaging
Verpackungseinheit 120 Stück - packaging unit 120 pcs



* Federkontakt AWG 24-26 - Female Contact AWG 24-26
Kabelführung $\varnothing 1,07$ - cable guide $\varnothing 1,07$

nur mit Hilfsmittel lösbar
only with tool unlockable

Information:		Tolerances	All Dimensions in mm	Scale 5:1
All rights reserved. Only for Information. To ensure that this is the latest version of this drawing, please contact one of the ERNI companies before using.		Subject to modification without prior notice. Drawing will not be updated.		Designation
c		16.09.2015	www.ERNI.com	1,27 SRC P SKV, 8-polig 1,27 SRC P IDC, 8-pin
Index	Date			
			100703200051	K
			Class SRCP	A3

Copyright by ERNI Production GmbH & Co. KG
Proprietary notice pursuant to ISO 16016 to be observed.