

4

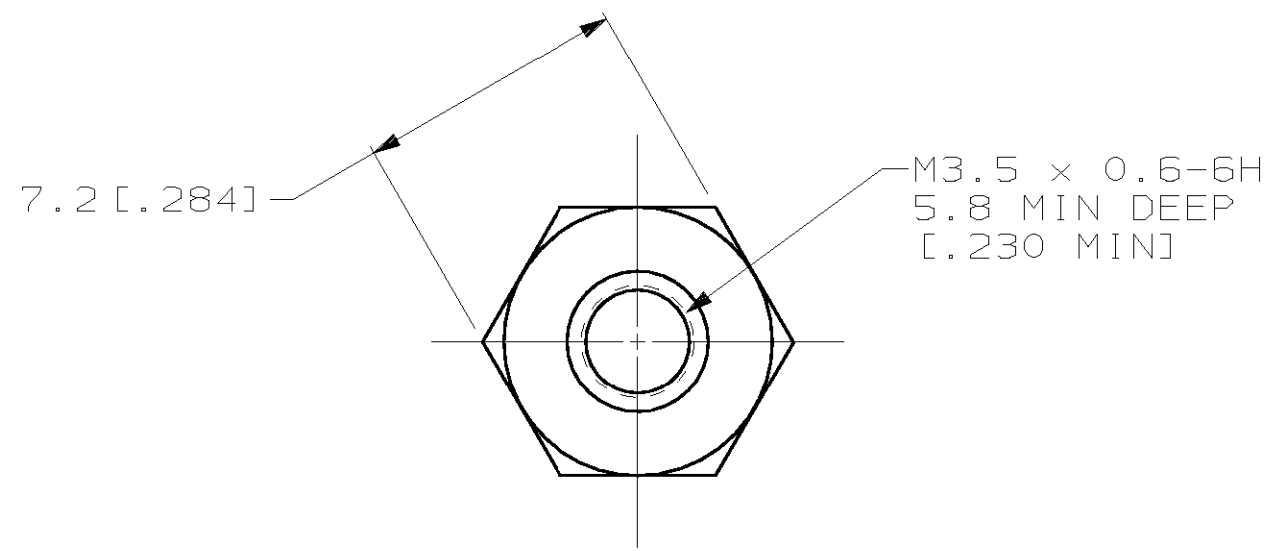
3

2

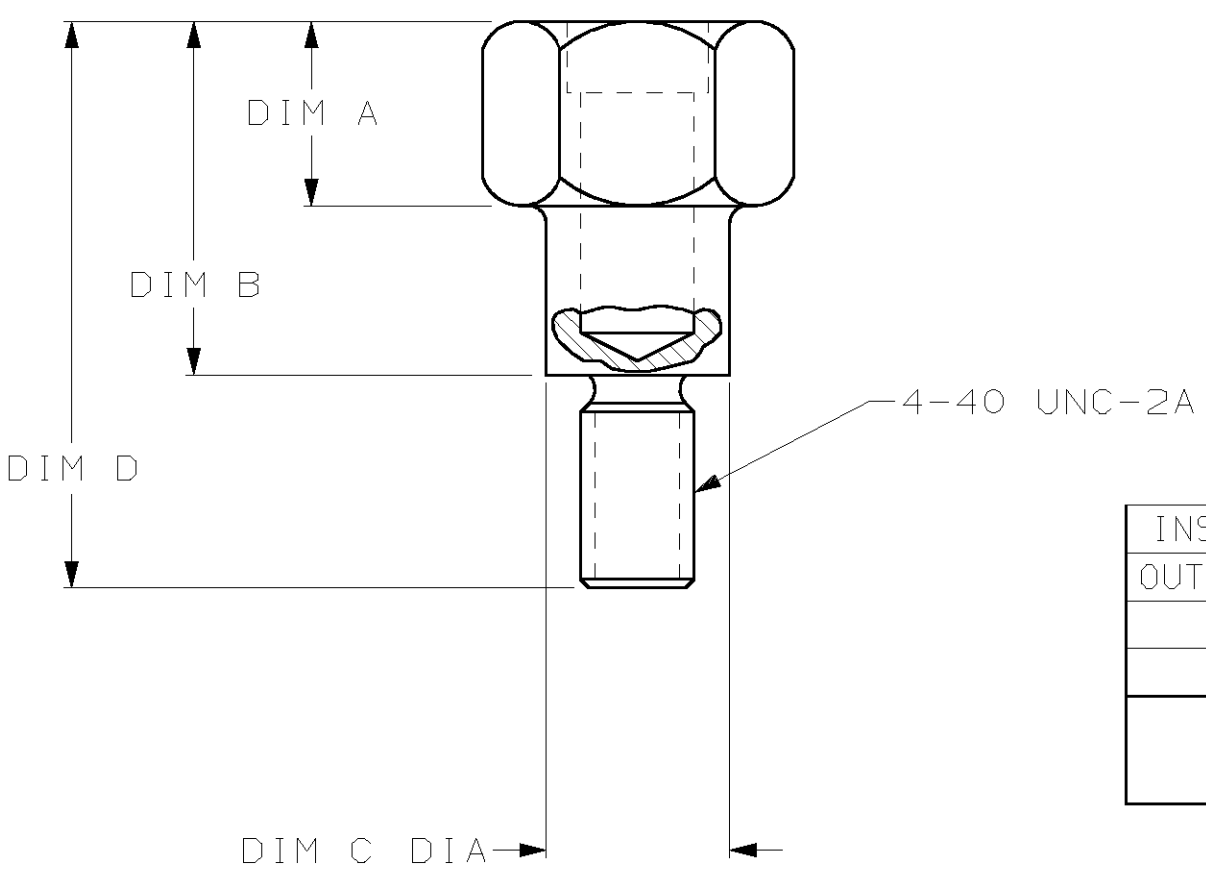
1

THIS DRAWING IS UNPUBLISHED. RELEASED FOR PUBLICATION ,19 .
 © COPYRIGHT 19 BY AMP INCORPORATED. ALL RIGHTS RESERVED.

LOC	DIST	REVISIONS			
P	LTR	DESCRIPTION	DATE	DWN	APVD
AA	20	K	REVISED PER EC 0U1D-0002-00	21JAN00	DLD EWB



1. ALL DIMENSIONS SHOWN ARE FOR REFERENCE ONLY.
2. DIMENSIONS IN [] BRACKETS ARE IN INCHES.
3. PARTS COATED WITH AMP APPROVED CORROSION PREVENTATIVE.



INSIDE (SHIELDED)	17.5 [.688]	4.6 [.183]	9.4 [.369]	4.9 [.193]	552634-9
OUTSIDE (SHIELDED)	19.1 [.750]	4.6 [.183]	11.0 [.432]	6.5 [.256]	552634-7
INSIDE	16.5 [.650]	4.7 [.185]	8.5 [.335]	4.9 [.193]	552634-4
OUTSIDE	16.5 [.650]	4.2 [.165]	8.6 [.339]	6.5 [.256]	552634-3
PANEL MOUNTED	DIM D	DIM C DIA	DIM B	DIM A	PART NUMBER

TABULATED DIMENSIONS

METRIC

THIS DRAWING IS A CONTROLLED DOCUMENT.

DIMENSIONS: mm [INCHES]	TOLERANCES UNLESS OTHERWISE SPECIFIED:	DWN V.E. SLACK 02 MAR 78	AMP Incorporated Harrisburg, PA 17105-3608
	0 PLC ±-	CHK R.E. REICH 14 MAR 78	
	1 PLC ±-	APVD S. HEGE 05 APR 78	
	2 PLC ±-	NAME	
3 PLC ±-	PRODUCT SPEC	STANDOFF, STUD, MOUNTING (METRIC)	
4 PLC ±-	ANGLES ±-	APPLICATION SPEC	SIZE
MATERIAL	FINISH	WEIGHT	CAGE CODE
STEEL	BLACK OXIDE	-	DRAWING NO
CUSTOMER DRAWING			RESTRICTED TO
SCALE NONE			1 OF 1
SHEET			REV K