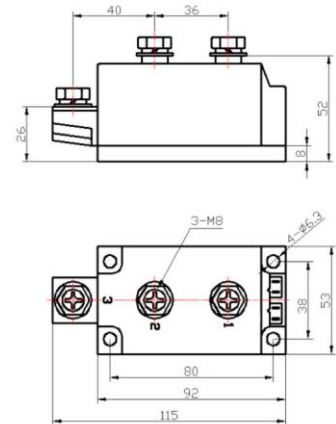


**Feature**

- International standard package
- Low forward voltage drop
- Isolation voltage 2500V

**Application**

- AC/DC machinery control
- Rectifying power supply
- Frequency converters



Symbol	Parameter	Rating				Unit
		AMS-IRDC250-08 AMS-IRDA250-08 AMS-IRDK250-08	AMS-IRDC250-12 AMS-IRDA250-12 AMS-IRDK250-12	AMS-IRDC250-14 AMS-IRDA250-14 AMS-IRDK250-14	AMS-IRDC250-16 AMS-IRDA250-16 AMS-IRDK250-16	
$V_{RRM}$	Peak reverse repetitive voltage	800	1200	1400	1600	V
$V_{RSM}$	Peak reverse non-repetitive voltage	960	1300	1500	1700	V

**Maximum ratings:**

Symbol	Parameter	Test condition	Rating	Unit
$I_{FAV}$	Average forward current	180° sine half wave, 50HZ single side heat dissipation $T_C=100$	250	A
$I_{FSM}$	Forward surge current	$t=10ms, 50HZ, sin, T_{jm}$	11000	A
$I^2t$	$I^2t$ value	$V_R = 0.6V_{RRM} T_{jm}$	617000	A <sup>2</sup> S
$V_{ISO}$	Isolation voltage	AC one minute	2500	V
$T_j$	Operating junction temperature		-40 to +150	C
$T_{jm}$	Rated junction temperature		150	C
$T_{stg}$	Storage temperature		-40 to +125	C
Md	Mounting torque copper plate M6		4	N·m
	Mounting torque terminal M8		12	N·m
$W_t$	Weight		900	g

**Electrical characteristics:**

Symbol	Parameter	Test condition	Rating	Unit
$I_{RRM}$	Peak off-state repetitive current	$V_D = V_{DRM}$ , sine half wave, $T_{jm}$	20	mA
$V_{FM}$	Peak forward voltage	$I_{FM} = 1000A$ , $T_j = 25\text{ C}$	1.4	V
$R_{th(j-c)}$	Thermal resistance junction-case	Single-side heat dissipation, sine half wave	0.14	C/W

