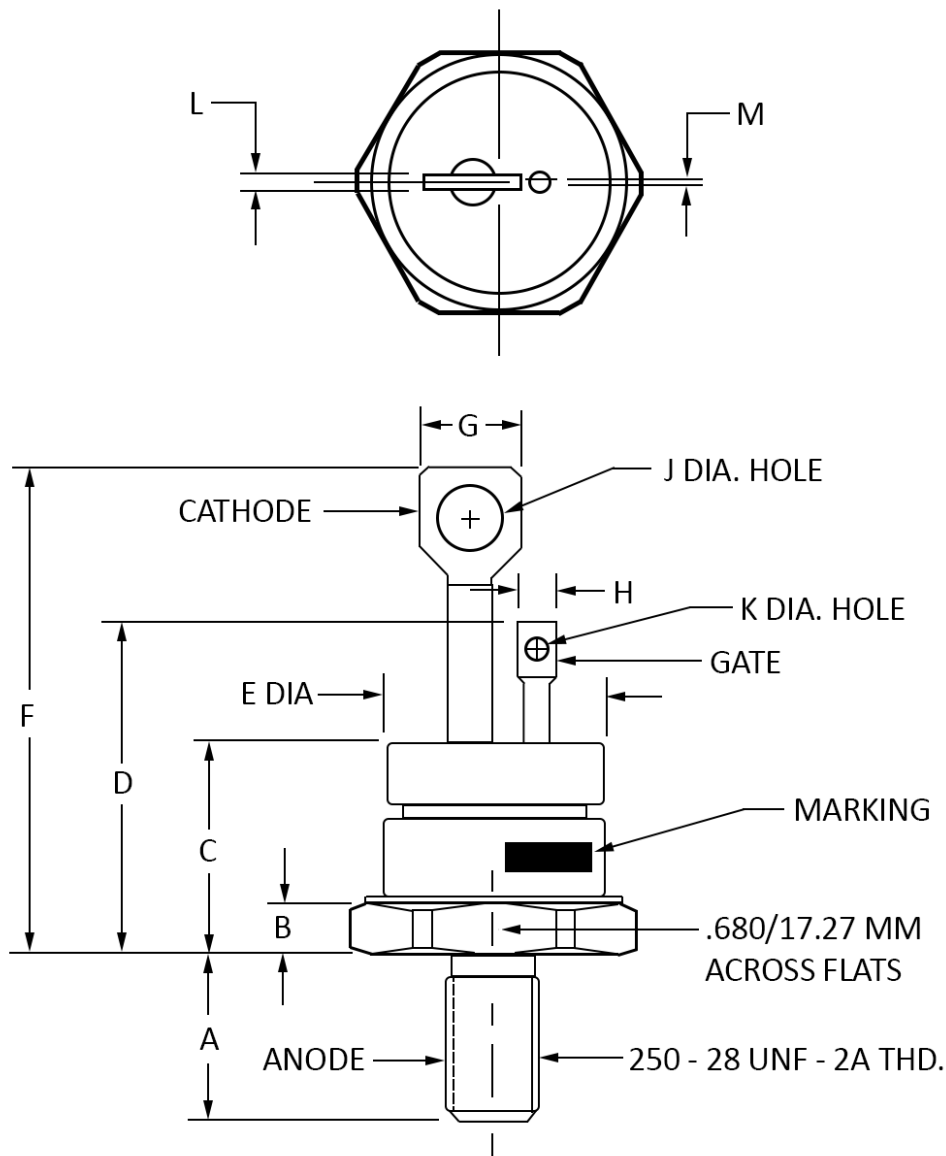


MECHANICAL ABSTRACT

C147 features a 0.175" diameter cathode post hole for no. 8 wire, and is hermetically sealed in a TO-208 metal stud package.



	A	B	C	D	E	F	G	H	J	K	L	M
Inches	0.44	0.1	0.55	0.87	0.6	1.27	0.265	0.1	0.176	0.6	0.045	0.12
MM	11.2	3.3	14	22.1	15.2	32.2	6.73	2.54	4.47	1.52	1.14	0.30