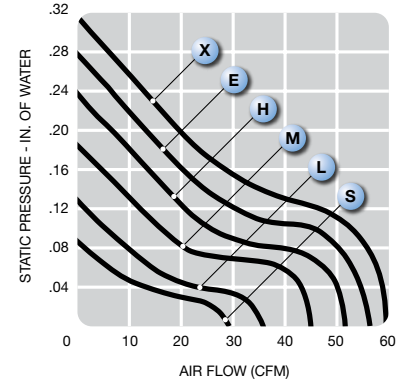
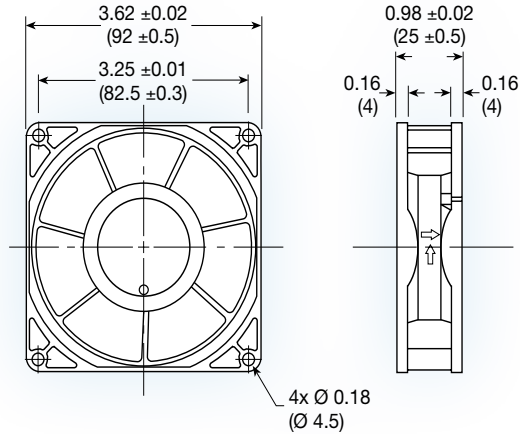


E9225 series

HIGH PERFORMANCE



(92 x 92 x 25 mm)

3.62 x 3.62 x 0.98 inches

Construction: UL94V-0 PBT impeller & frame

Bearing option: ball bearing

Connection: AWG 24, 1007 lead wires

Frame: flanged

Protection: thermal

Options: tachometer output or locked rotor alarm signal; PWM speed control

| Model No. | Rated Voltage V | Current mA | | | | Speed RPM | Air Volume | | Max. Static Pressure (H ₂ O) | | Sound Noise dB _A | Weight g |
|-----------|--------------------|---------------|-----|-----|-----|--------------|----------------------|-----|---|------|--------------------------------|-------------|
| | | 5 | 12 | 24 | 48 | | M ³ /Min. | CFM | MM | INCH | | |
| E9225S | 5/12/24 | 270 | 98 | 60 | - | 2,000 | 0.82 | 29 | 2.25 | 0.09 | 24 | 111 |
| E9225L | 5/12/24 | 400 | 150 | 85 | - | 2,400 | 0.99 | 35 | 3.25 | 0.13 | 27 | 111 |
| E9225M | 5/12/24 | 560 | 235 | 125 | - | 2,800 | 1.24 | 44 | 4.75 | 0.19 | 32 | 111 |
| E9225H | 12/24/48 | - | 360 | 168 | 65 | 3,200 | 1.44 | 51 | 6.00 | 0.24 | 36 | 111 |
| E9225E | 12/24/48 | - | 498 | 255 | 85 | 3,600 | 1.58 | 56 | 7.00 | 0.28 | 39 | 111 |
| E9225X | 12/24/48 | - | 550 | 300 | 130 | 4,000 | 1.70 | 60 | 8.00 | 0.32 | 43 | 111 |