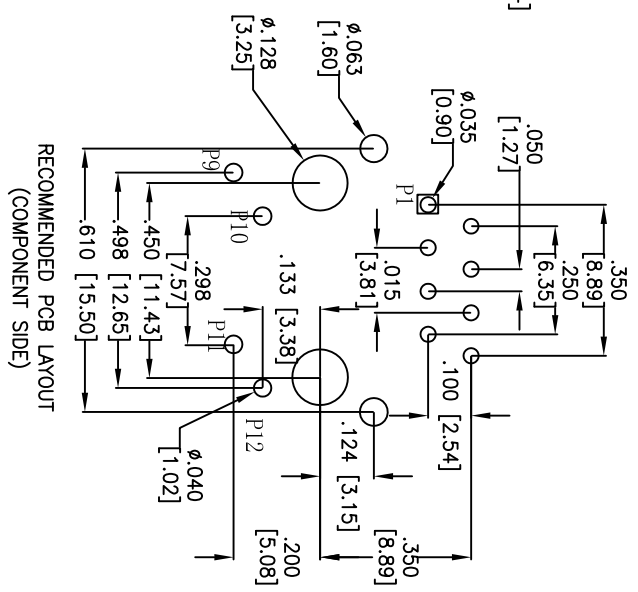
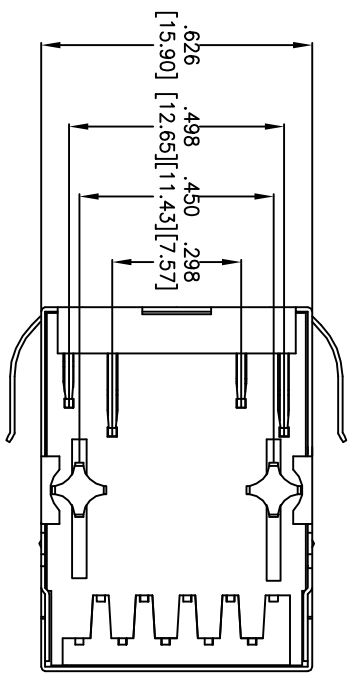
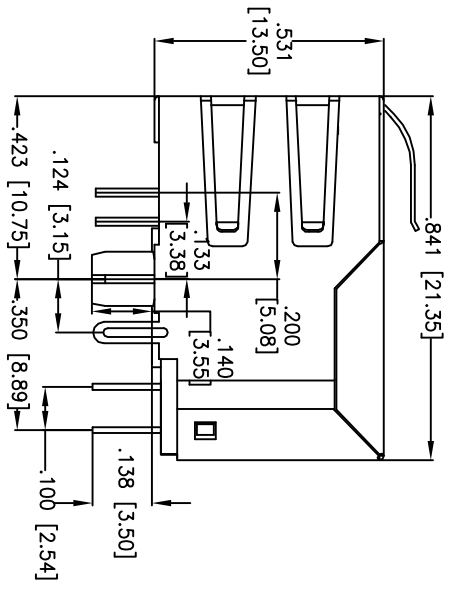
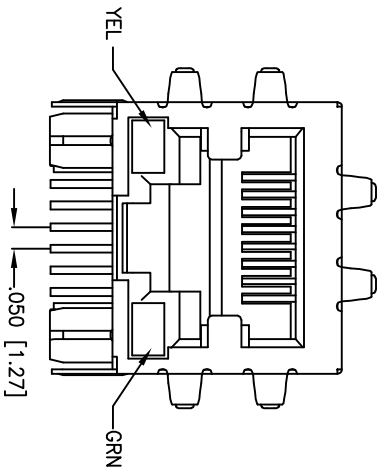


APPROVED: \_\_\_\_\_  
 DATE: \_\_\_\_\_ TITLE: \_\_\_\_\_

Rev	AWO #	Description	Date	Appr
-		RELEASED	10/07/09	
A		REVISED PIN VIEW	11/16/09	



RECOMMENDED PCB LAYOUT  
 (COMPONENT SIDE)

**SPECIFICATIONS:**

**Material:**  
 Insulator: PBT, glass reinforced , thermoplastic, rated UL 94V-0  
 Insulator color: Black  
 Contacts: Copper Alloy  
 Shield: Copper Alloy, Nickel plated  
 Contact Plating:  
 Gold Flash over Nickel underplate on contact area,  
 Tin over Copper underplate on tails  
 (See chart for thickness).

X	PLATING
0	15 μin Gold
1	30 μin Gold
2	50 μin Gold

**Electrical:**  
 Operating voltage: 150 VAC max  
 Current rating: 1.5 Amps max  
 Contact Resistance: 20 mohms max.  
 Insulation resistance: 500 Mohms min @ 500 VDC  
 Dielectric withstanding voltage: 1000 VAC for 1 minut  
 Temperature Rating:  
 Operating temperature: -40°C to +125°C  
 Environmental:  
 Lead free, RoHS compliant.  
 Recommended soldering temp: 235°C for 5 sec.



UNLESS OTHERWISE SPECIFIED  
 ALL DIMENSIONS ARE INCHES [MM]  
 TOLERANCES: EXCEPT AS NOTED  
 INCHES  
 .X ± .10 Ø.X ± .10  
 .XX ± .020 Ø.XXX ± .015  
 .XXX ± .015 Ø.XXXX ± .010  
 APPROVALS  
 DRAWN DY 10/07/09  
 CHECKED  
 APPROVED

**ADAM TECH**  
 909 Railway Avenue, Union, NJ 07083  
 Phone: 908-687-5000 Fax: 908-687-5710  
 TITLE: MODULAR JACK GANGED, 1 PORT, 8P8C  
 W/LED1 YELLOW, LED2 GREEN

SIZE	PART NO.	REV.
X	MTJ-88TX1-FSZ-PG-D1L-G-M48	A

REF: S00005C SCALE: NTS SHEET 1 OF 2