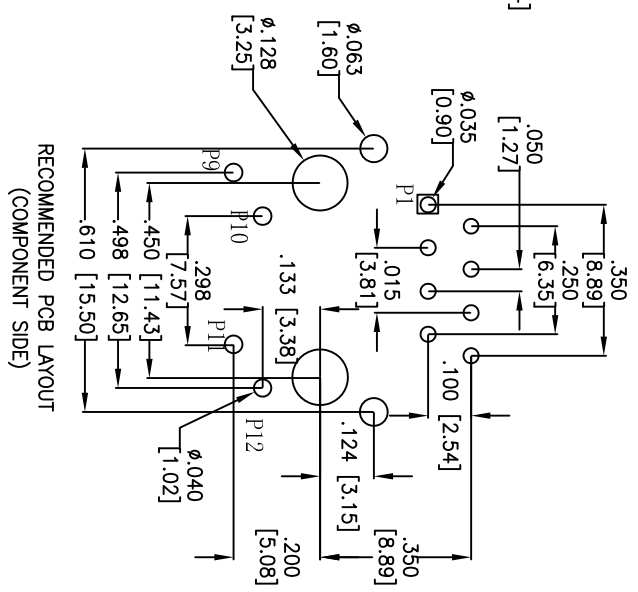
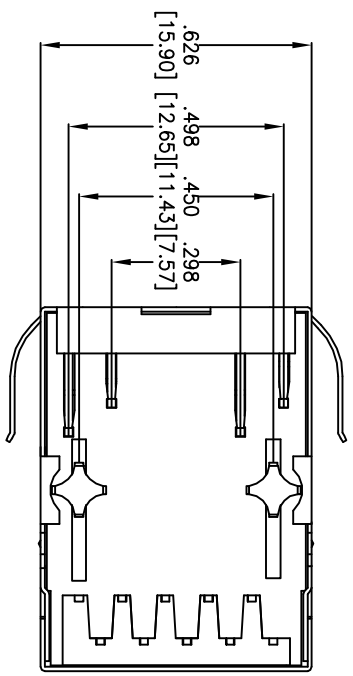
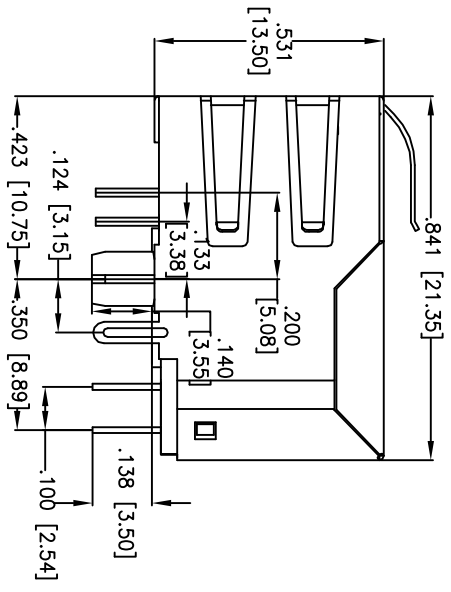
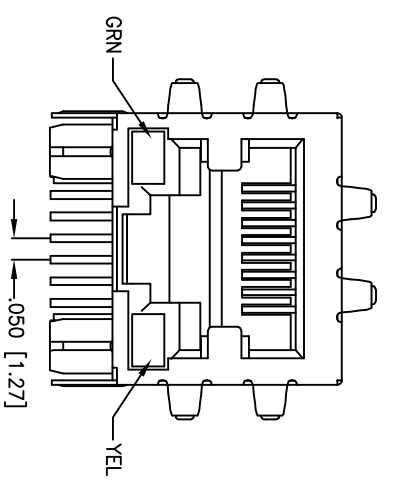


Rev	AWO #	Description	Date	Appr
-		RELEASED	9/25/09	

APPROVED: \_\_\_\_\_  
 DATE: \_\_\_\_\_ TITLE: \_\_\_\_\_



RECOMMENDED PCB LAYOUT  
(COMPONENT SIDE)

**SPECIFICATIONS:**

- Material: Insulator: PBT, glass reinforced , thermoplastic, rated UL 94V-0
- Insulator color: Black
- Contacts: Copper Alloy
- Shield: Copper Alloy, Nickel plated
- Contact Plating: Gold Flash over Nickel underplate on contact area, Tin over Copper underplate on tails (See chart for thickness).

X	PLATING
0	15 μin Gold
1	30 μin Gold
2	50 μin Gold

- Electrical: Operating voltage: 150 VAC max  
 Current rating: 1.5 Amps max  
 Contact Resistance: 20 mohms max. initial  
 Insulation resistance: 500 Mohms min @ 500 VDC  
 Dielectric withstanding voltage: 1000 VAC for 1 minut
- Temperature Rating: Operating temperature: -40°C to +125°C
- Environmental: Lead free, RoHS compliant.  
 Recommended soldering temp: 235°C for 5 sec.



UNLESS OTHERWISE SPECIFIED  
 ALL DIMENSIONS ARE INCHES [MM]  
 TOLERANCES: EXCEPT AS NOTED  
 INCHES Holes  
 .X ± .10 Ø.X ± .10  
 .XX ± .020 Ø.XXX ± .015  
 .XXX ± .015 Ø.XXXX ± .010

**ADAM TECH**

909 Railway Avenue, Union, NJ 07083  
 Phone: 908-687-5000 Fax: 908-687-5710

TITLE: MODULAR JACK GANGED, 1 PORT, 8P8C  
 W/LED1 GREEN, LED2 YELLOW

APPROVALS	DATE
DRAWN	DY
CHECKED	
APPROVED	9/25/09

SIZE	PART NO.	REV.
X	MTJ-887X1-FS2-PG-D1LHM7	

REF: S00005C SCALE: NTS SHEET 1 OF 2