



ON Semiconductor®

www.onsemi.com

NDUL09N150C

Power MOSFET 1500V, 3.0Ω, 9A, N-Channel

Features

- Low On-Resistance
- Ultra High Voltage
- Pb-Free and RoHS Compliance
- High Speed Switching
- 100% Avalanche Tested

Specifications

Absolute Maximum Ratings at Ta = 25°C

Parameter	Symbol	Value	Unit
Drain to Source Voltage	V _{DSS}	1500	V
Gate to Source Voltage	V _{GSS}	±30	V
Drain Current (DC)	I _D	9	A
Drain Current (DC) Limited by Package	I _{DL}	6	A
Drain Current (Pulse) PW ≤ 10μs, duty cycle ≤ 1%	I _{DP}	18	A
Power Dissipation	P _D	3.0	W
		T _c =25°C 78	
Junction Temperature	T _j	150	°C
Storage Temperature	T _{stg}	-55 to +150	°C
Source Current (Body Diode)	I _S	6	A
Avalanche Energy (Single Pulse) * ¹	E _{AS}	197	mJ
Lead Temperature for Soldering Purposes, 3 mm from case for 10 seconds	T _L	260	°C

Thermal Resistance Ratings

Parameter	Symbol	Value	Unit
Junction to Case Steady State	R _{θJC}	1.60	°C/W
Junction to Ambient * ²	R _{θJA}	41.7	

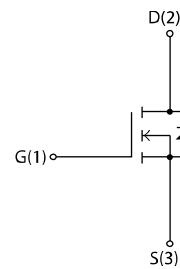
Note : *¹ V_{DD}=50V, L=10mH, I_{AV}=6A (Fig.1)

*² Insertion mounted

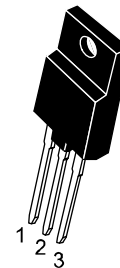
Stresses exceeding those listed in the Maximum Ratings table may damage the device. If any of these limits are exceeded, device functionality should not be assumed, damage may occur and reliability may be affected.

Electrical Connection

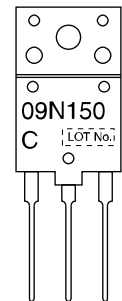
N-Channel



Marking



TO-3PF-3L
CASE 340AH



ORDERING INFORMATION

See detailed ordering and shipping information on page 5 of this data sheet.

NDUL09N150C

Electrical Characteristics at Ta = 25°C

Parameter	Symbol	Conditions	Value			Unit	
			min	typ	max		
Drain to Source Breakdown Voltage	$V_{(BR)DSS}$	$I_D=10mA, V_{GS}=0V$	1500			V	
Zero-Gate Voltage Drain Current	I_{DSS}	$V_{DS}=1200V, V_{GS}=0V$			1	mA	
Gate to Source Leakage Current	I_{GSS}	$V_{GS}=\pm 30V, V_{DS}=0V$			± 100	nA	
Gate Threshold Voltage	$V_{GS(th)}$	$V_{DS}=10V, I_D=1mA$	2		4	V	
Forward Transconductance	g_{FS}	$V_{DS}=20V, I_D=3A$		5.2		S	
Static Drain to Source On-State Resistance	$R_{DS(on)}$	$I_D=3A, V_{GS}=10V$		2.2	3.0	Ω	
Input Capacitance	C_{iss}	$V_{DS}=30V, f=1MHz$		2025		pF	
Output Capacitance	C_{oss}				222		pF
Reverse Transfer Capacitance	C_{rss}				66		pF
Turn-ON Delay Time	$t_{d(on)}$	See Fig.2		33		ns	
Rise Time	t_r			75		ns	
Turn-OFF Delay Time	$t_{d(off)}$			500		ns	
Fall Time	t_f			111		ns	
Total Gate Charge	Q_g	$V_{DS}=200V, V_{GS}=10V, I_D=6A$		114		nC	
Gate to Source Charge	Q_{gs}			12		nC	
Gate to Drain "Miller" Charge	Q_{gd}			57		nC	
Forward Diode Voltage	V_{SD}		$I_S=6A, V_{GS}=0V$		0.8	1.5	V
Reverse Recovery Time	t_{rr}	See Fig.3		1050		ns	
Reverse Recovery Charge	Q_{rr}	$I_S=6A, V_{GS}=0V, di/dt=100A/\mu s$		9010		nC	

Product parametric performance is indicated in the Electrical Characteristics for the listed test conditions, unless otherwise noted. Product performance may not be indicated by the Electrical Characteristics if operated under different conditions.

Fig.1 : Unclamped Inductive Switching Test Circuit

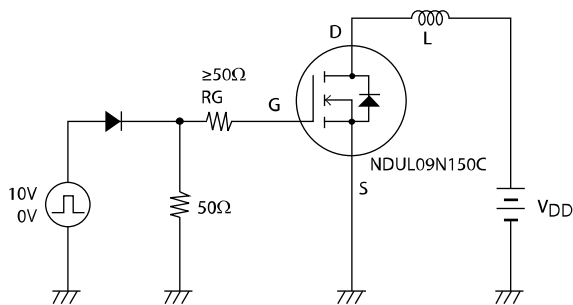


Fig.2 : Switching Time Test Circuit

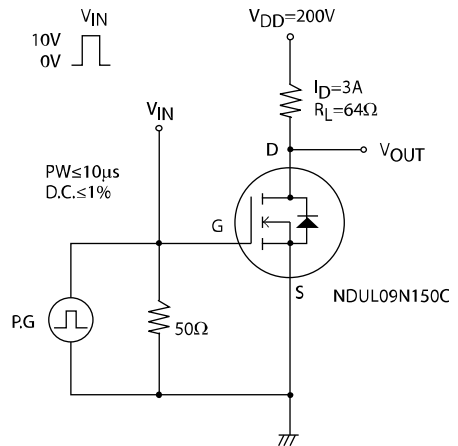
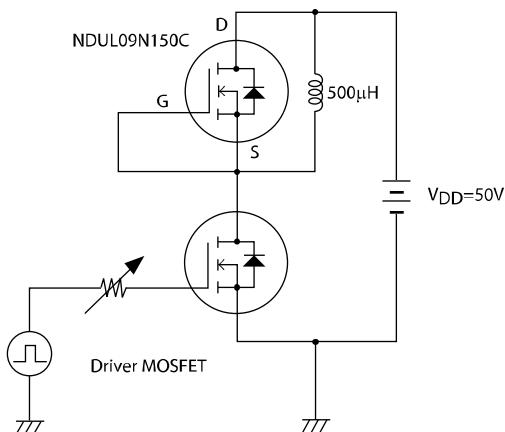
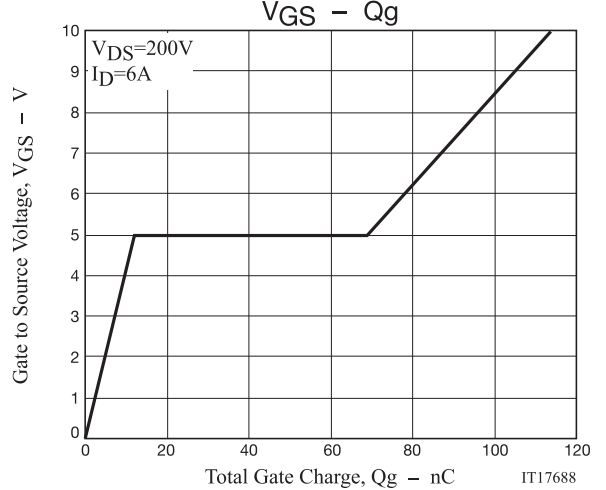
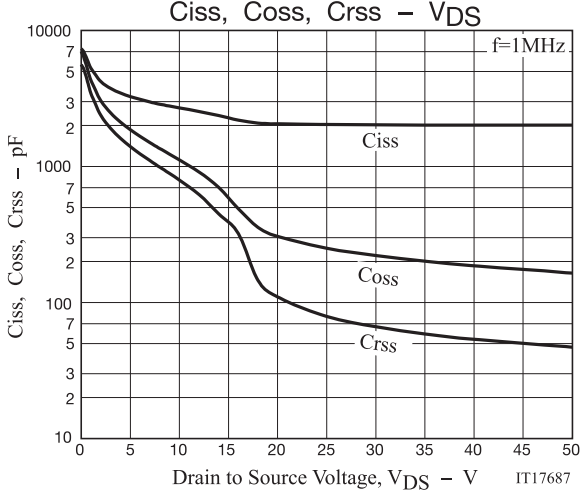
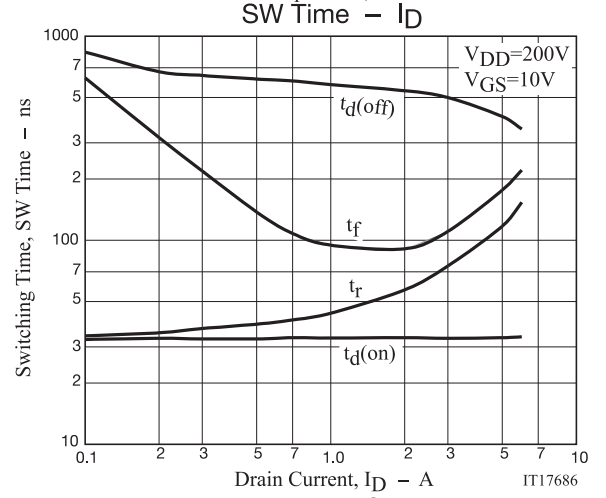
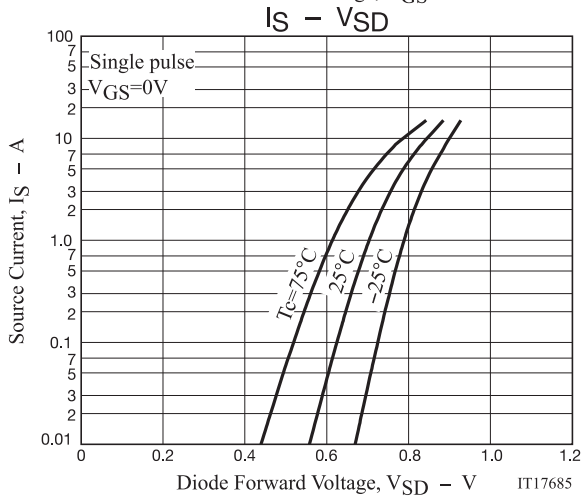
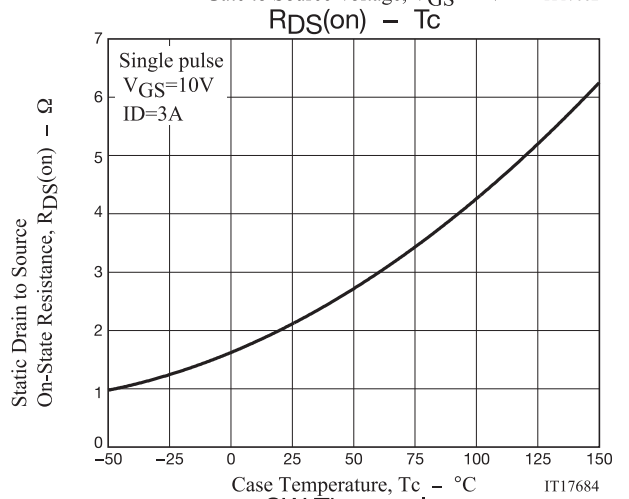
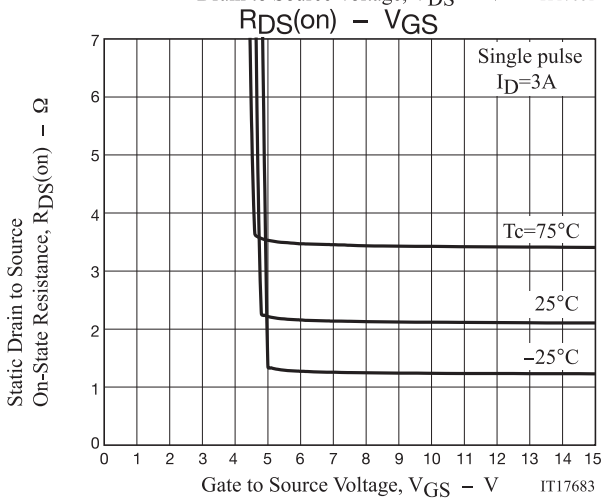
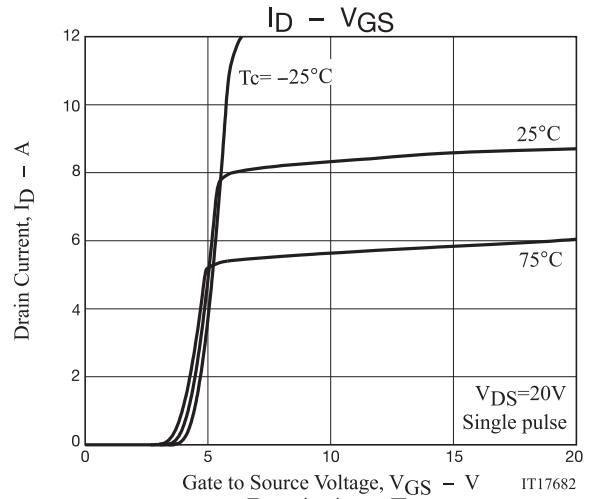
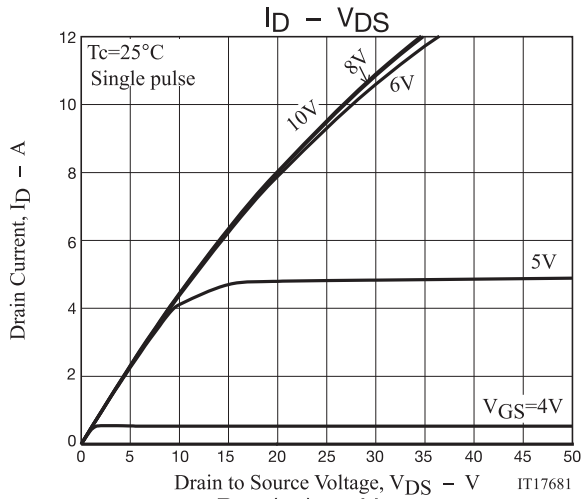


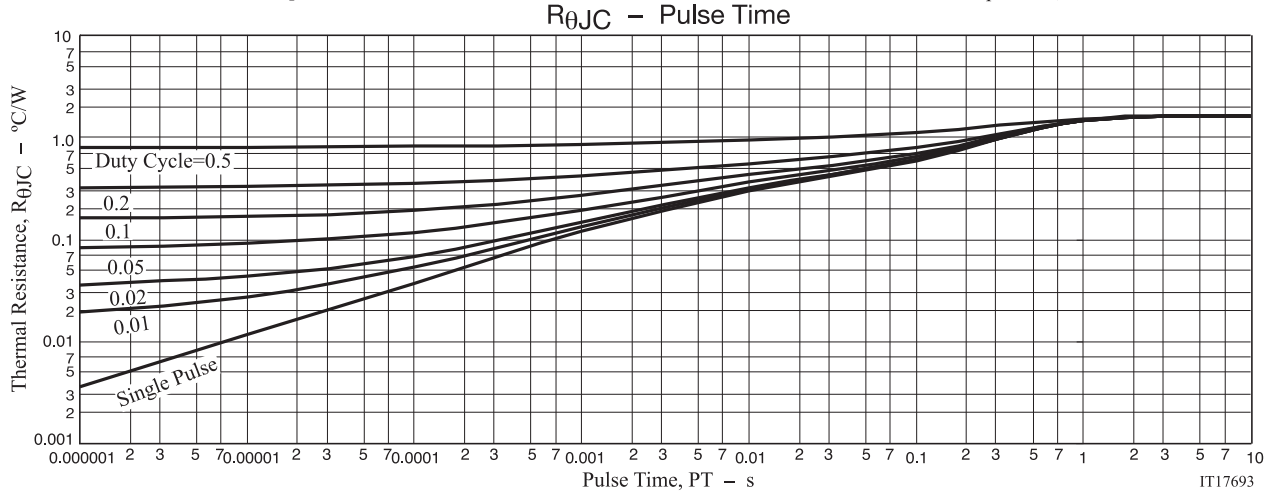
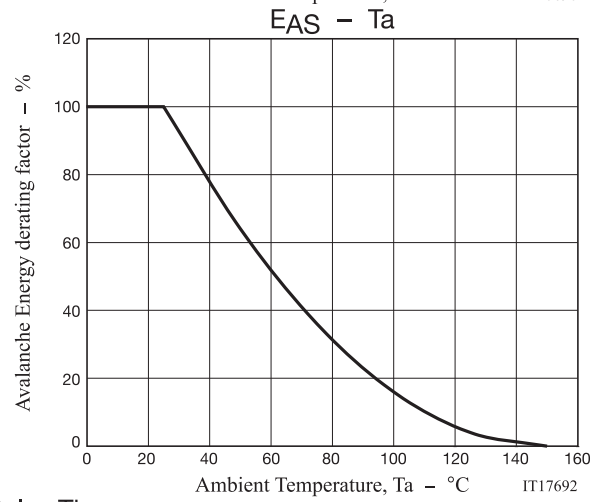
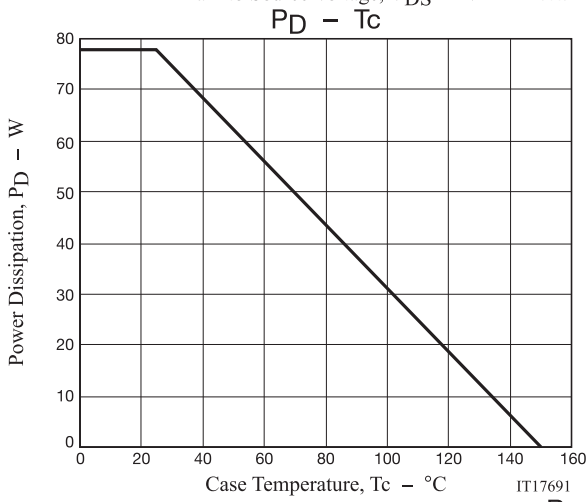
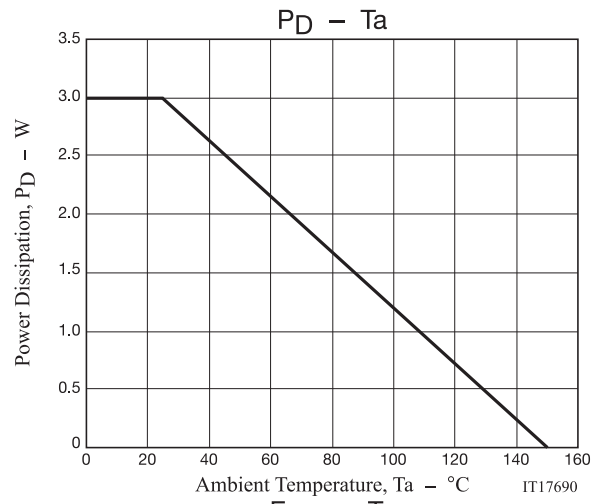
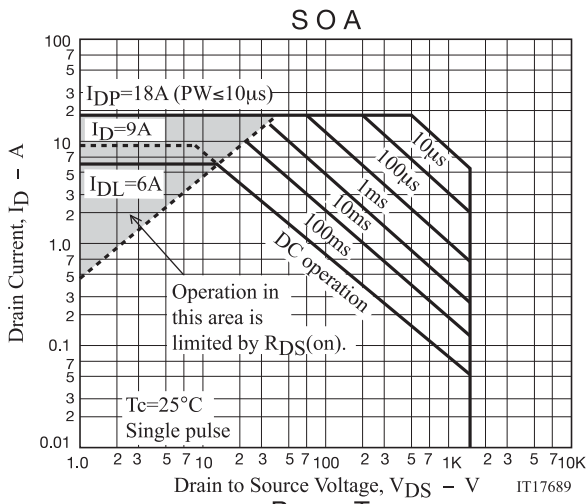
Fig.3 : Reverse Recovery Time Test Circuit



NDUL09N150C



NDUL09N150C



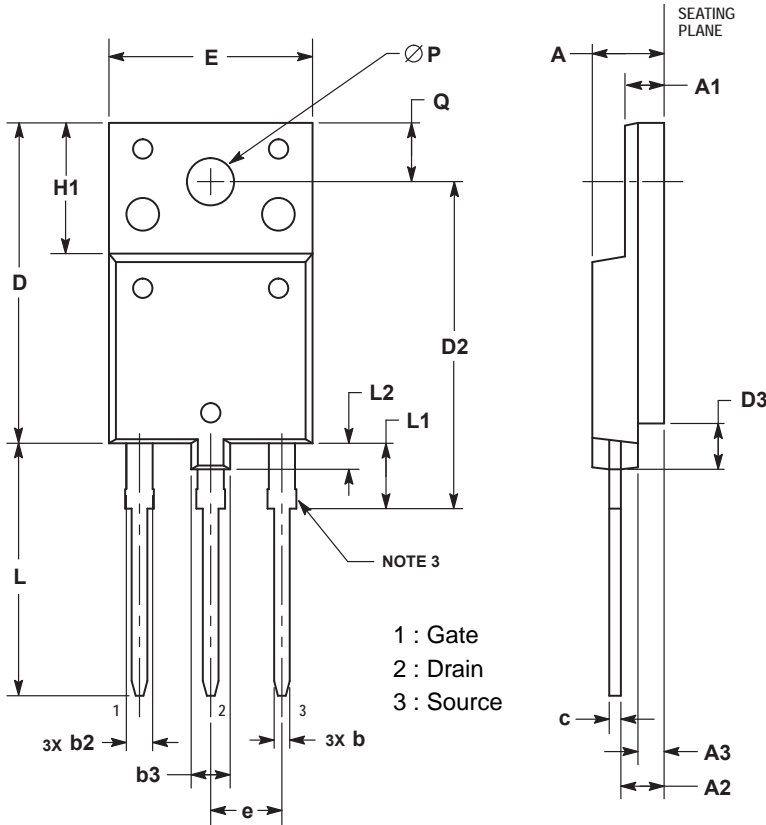
NDUL09N150C

Package Dimensions

NDUL09N150CG

unit : mm

TO-3PF-3L
CASE 340AH
ISSUE A



- NOTES:
1. DIMENSIONING AND TOLERANCING PER ASME Y14.5M, 2009.
 2. CONTROLLING DIMENSION: MILLIMETERS.
 3. CONTOUR UNCONTROLLED IN THIS AREA (6 PLACES).
 4. DIMENSIONS D AND E DO NOT INCLUDE MOLD FLASH OR GATE PROTRUSIONS. MOLD FLASH AND GATE PROTRUSIONS NOT TO EXCEED 0.13 PER SIDE. THESE DIMENSIONS ARE TO BE MEASURED AT THE OUTERMOST EXTREME OF THE PLASTIC BODY.
 5. DIMENSION b2 DOES NOT INCLUDE DAMBAR PROTRUSION. LEAD WIDTH INCLUDING PROTRUSION SHALL NOT EXCEED 2.20.

DIM	MILLIMETERS	
	MIN	MAX
A	5.30	5.70
A1	2.80	3.20
A2	3.10	3.50
A3	1.80	2.20
b	0.65	0.95
b2	1.90	2.15
b3	3.80	4.20
c	0.80	1.10
D	24.30	24.70
D2	24.70	25.30
D3	3.30	3.70
E	15.30	15.70
e	5.35	5.55
H1	9.80	10.20
L	19.10	19.50
L1	4.80	5.20
L2	1.90	2.20
P	3.40	3.80
Q	4.30	4.70

- 1 : Gate
2 : Drain
3 : Source

ORDERING INFORMATION

Device	Package	Shipping	Note
NDUL09N150CG	TO-3PF-3L SC-94	30pcs. / Tube	Pb-Free

Note on usage : Since the NDUL09N150C is a MOSFET product, please avoid using this device in the vicinity of highly charged objects.

ON Semiconductor and the ON logo are registered trademarks of Semiconductor Components Industries, LLC (SCILLC) or its subsidiaries in the United States and/or other countries. SCILLC owns the rights to a number of patents, trademarks, copyrights, trade secrets, and other intellectual property. A listing of SCILLC's product/patent coverage may be accessed at www.onsemi.com/site/pdf/Patent-Marking.pdf. SCILLC reserves the right to make changes without further notice to any products herein. SCILLC makes no warranty, representation or guarantee regarding the suitability of its products for any particular purpose, nor does SCILLC assume any liability arising out of the application or use of any product or circuit, and specifically disclaims any and all liability, including without limitation special, consequential or incidental damages. "Typical" parameters which may be provided in SCILLC data sheets and/or specifications can and do vary in different applications and actual performance may vary over time. All operating parameters, including "Typicals" must be validated for each customer application by customer's technical experts. SCILLC does not convey any license under its patent rights nor the rights of others. SCILLC products are not designed, intended, or authorized for use as components in systems intended for surgical implant into the body, or other applications intended to support or sustain life, or for any other application in which the failure of the SCILLC product could create a situation where personal injury or death may occur. Should Buyer purchase or use SCILLC products for any such unintended or unauthorized application, Buyer shall indemnify and hold SCILLC and its officers, employees, subsidiaries, affiliates, and distributors harmless against all claims, costs, damages, and expenses, and reasonable attorney fees arising out of, directly or indirectly, any claim of personal injury or death associated with such unintended or unauthorized use, even if such claim alleges that SCILLC was negligent regarding the design or manufacture of the part. SCILLC is an Equal Opportunity/Affirmative Action Employer. This literature is subject to all applicable copyright laws and is not for resale in any manner.