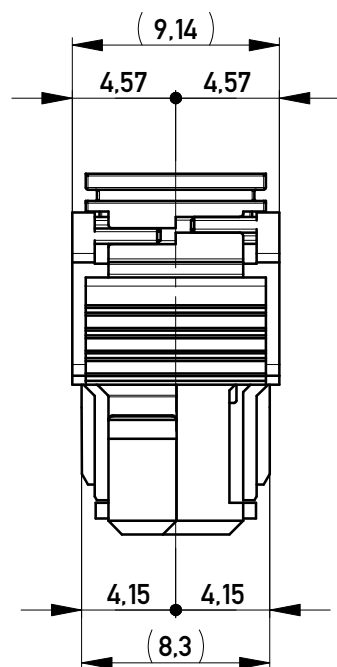
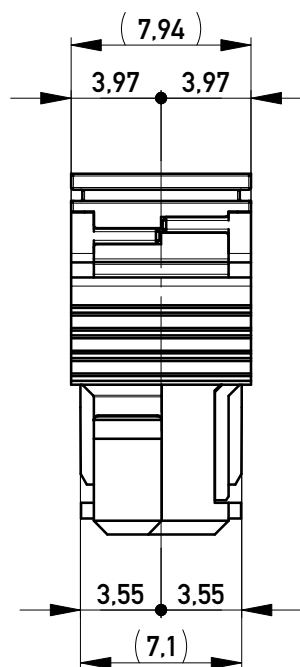


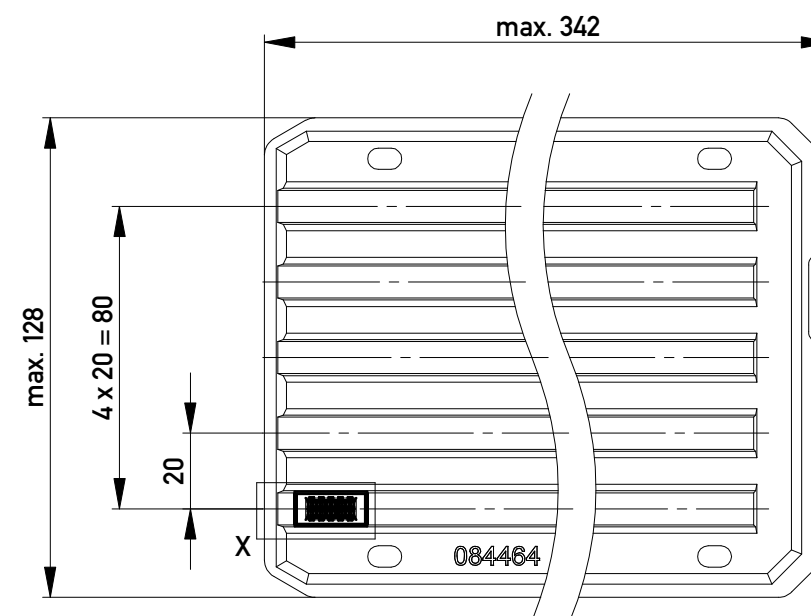
Abdeckungen vorverrastet
covers loose mounted



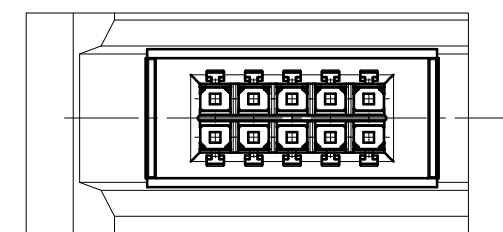
Abdeckungen verpresst
covers pressed on



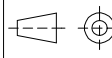
Verpackt in Tray - tray packaging
Verpackungseinheit 80 Stück - packaging unit 80



Einzelheit X
detail X



Copyright by ERNI Production GmbH & Co. KG
Proprietary notice pursuant to ISO 16016 to be observed.

| | | | | | |
|--------------------------------------------------------------------------------------------------------------------------------------------------------------------|------------|-------------------------------------------------------------------------------|---------------------------------------------------------------------------------------|----------------------------------------------|-----|
| Information: Codierung schwarz - coding black | | Tolerances |  | Scale | 3:1 |
| All rights reserved. Only for Information. To ensure that this is the latest version of this drawing, please contact one of the ERNI companies before using. | | Subject to modification without prior notice. Drawing will not be updated. | | Designation F 2,54 DRC-B, 10-polig | |
| a | | www.ERNI.com | | 100302000003 | |
| Index | Date | Date | | Class | |
| | 19.05.2016 | Date | | DRCBUG | |
| | | | | K | A3 |