

## General Description

KR Electronics part number 3236 is a 60 MHz bandpass filter. The filter is designed to be a compromise between good pulse response and selective frequency response. The filter has a minimum 3 dB bandwidth of 8 MHz. Other center frequencies and bandwidths are available. Please consult the factory.

### Features

- 60 MHz Bandpass Filter
- Optimized for Pulse Response
- 3 dB Bandwidth 8 MHz min
- 50  $\Omega$  Source and Load
- Surface Mount
- Also available with SMA Connectors

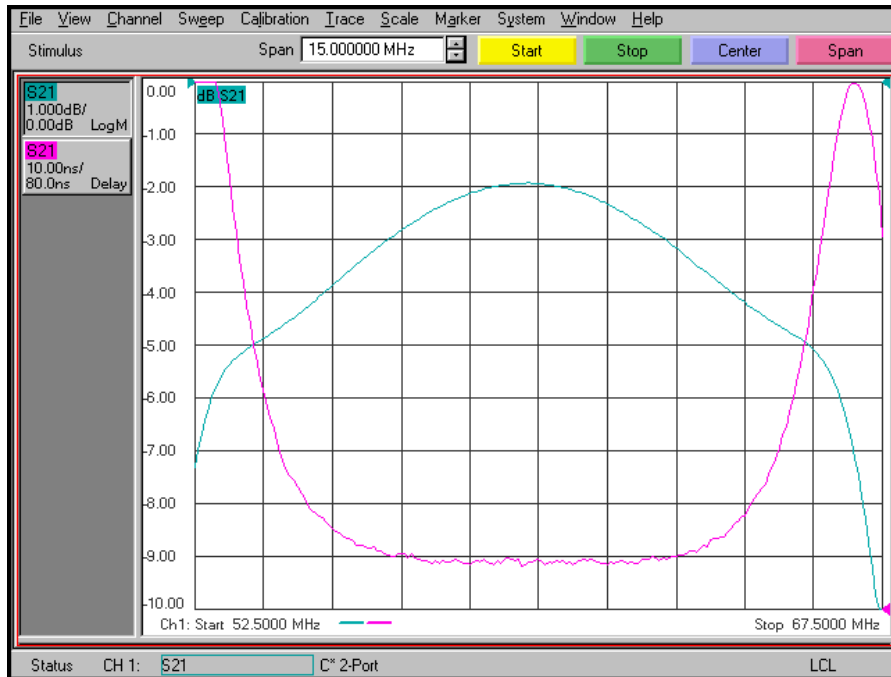
## Typical Performance

### Overall Response (10 dB/div)

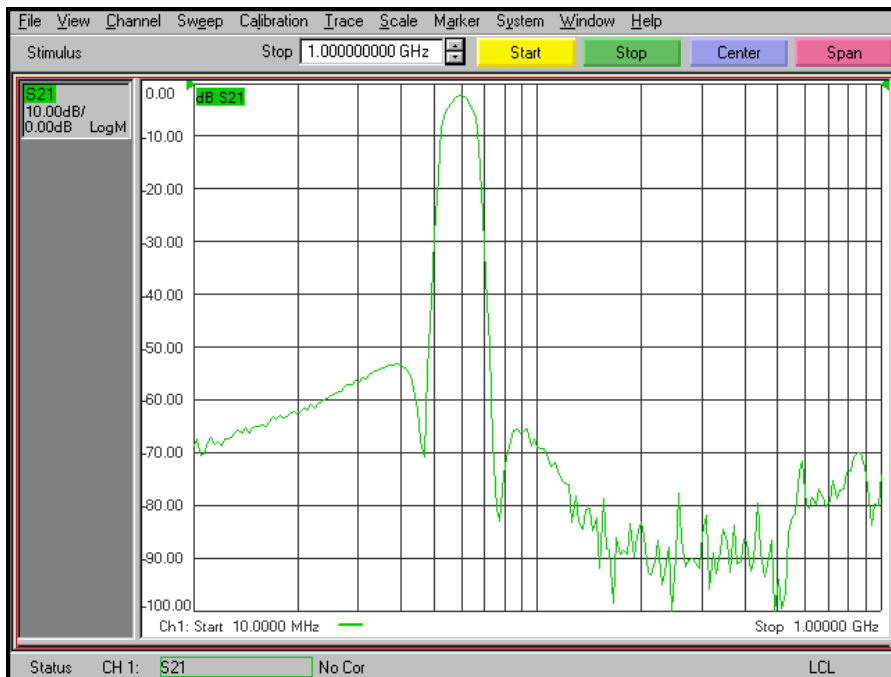


# KR Electronics 3236

## Passband Amplitude & Group Delay (1 dB/div & 10 nsec/div)



## Overall Response (10 dB/div)



KR Electronics, Inc.  
91 Avenel Street  
Avenel, NJ 07001

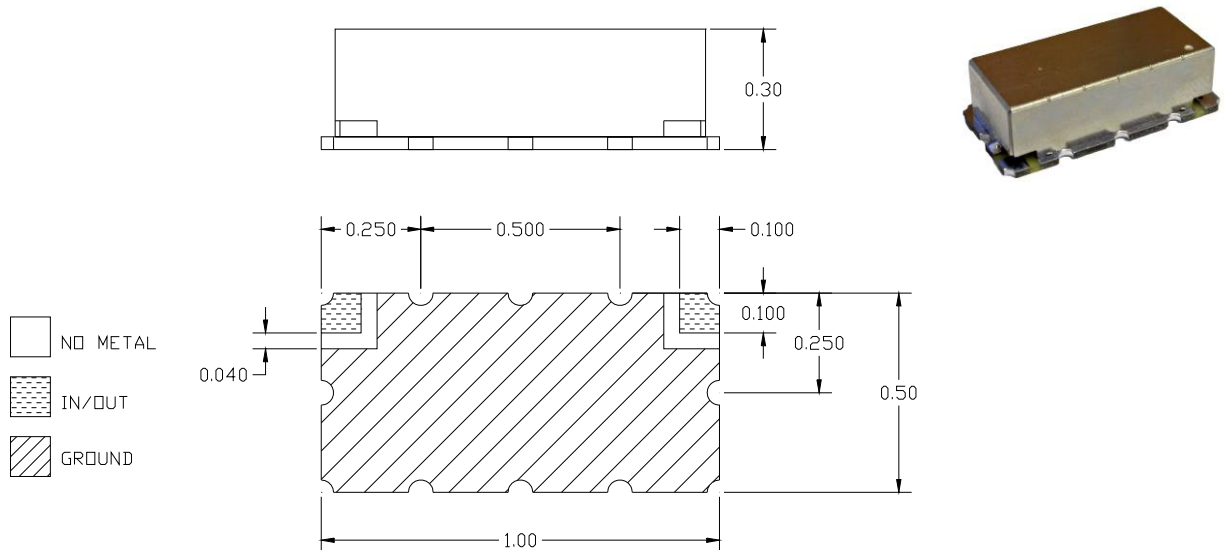
Web www.krfilters.com  
Email sales@krfilters.com  
Phone (732) 636-1900  
Fax (732) 636-1982

# KR Electronics 3236

## Specifications

Parameter	Specification	Notes
Filter type	Bandpass	
Center Frequency	60 MHz	
Insertion Loss	4 dBa max	2 dBa typical
1 dB Bandwidth	4.7 MHz min	5.2 MHz typical
3 dB Bandwidth	8 MHz min	11 MHz typical
40 dB Bandwidth	24 MHz max	
Source and Load	50 $\Omega$	

## Physical Dimensions



**Notes:**

1. Surface mount package
2. Dimensions in inches
3. Max reflow temperature 230° C for 10 sec
4. If boards are cleaned after installation units must be completely dried