



- 10/100 BaseT For Ethernet and other Networking Application
- Single Port USB 2.0
- Transmit open circuit inductance (OCL):
350uH (MIN) @100KHz, 0.1VRMS with 8mA DC Bias
- RJ45 jack cavity conforms to FCC rules and regulations
Part 68, SUB Part F
- Standard Operating Temp: 0°C to +70°C
- Contact Factory for Industrial Temp.
- Storage temperature range: -40°C to +85°C



Electrical Specifications @ 25°C

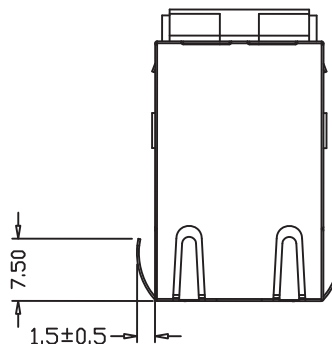
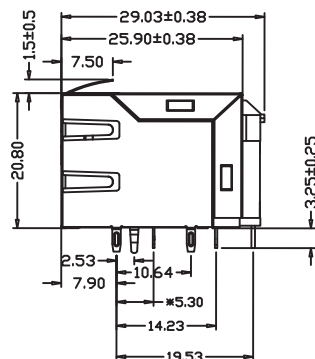
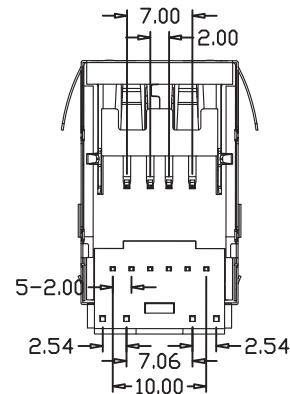
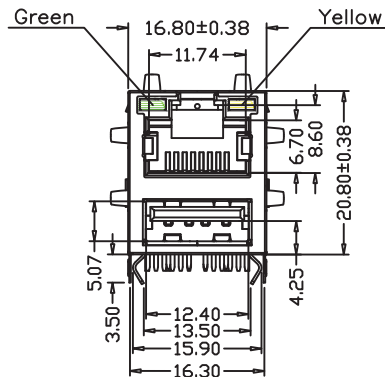
Part Number	OCL(uH Min) @ 100kHz, 0.1V With 8mA DC Bias	Turns Ratio chip: cable	Insertion Loss (dB Max)	Return Loss (dB Min 100Ω)		
			1-100MHz	1-30MHz	30-60MHz	60-80MHz
AR1USB1-4068	350	1:1	1.0	-18	-16	-12

Electrical Specifications @ 25°C

Common Mode Rejection (dB Min)	Cross Talk (dB Min)	HiPot Test
1-100MHz	1-100MHz	Input (R2-R3) to Output (C1-C2) : 1500 VAC, 60 Sec or 2250VDC, 60 sec
-30	-30	Input (R2-R3) to Output (C1-C2) : 1500 VAC, 60 Sec or 2250VDC, 60 sec

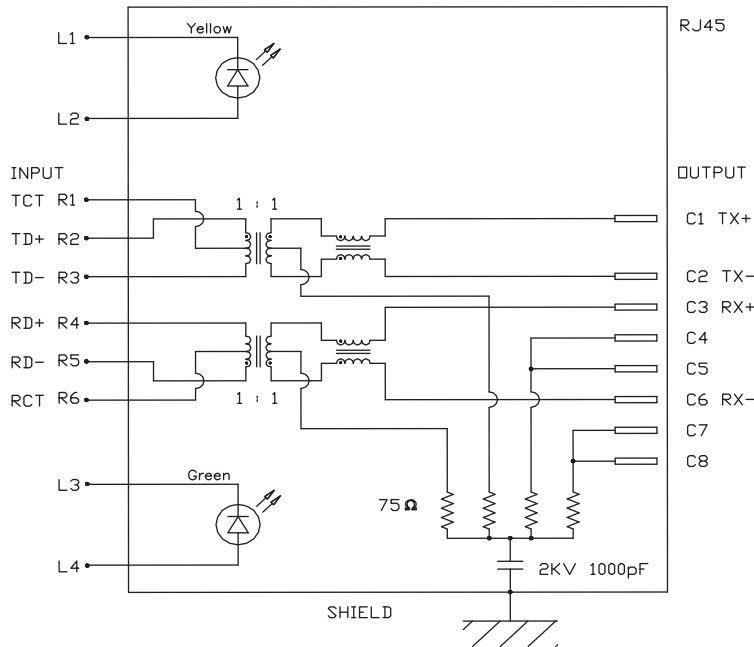
All specifications subject to change without notice.

MECHANICAL

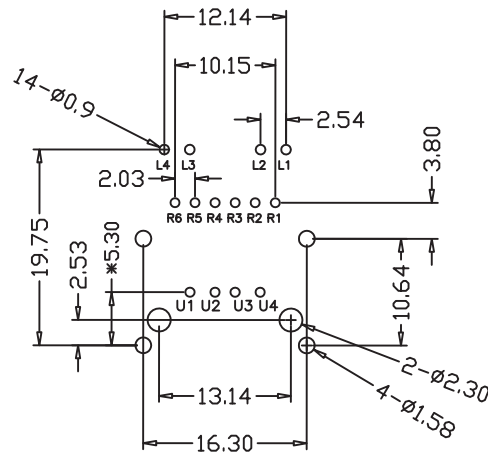




SCHEMATICS



PCB LAYOUT



NOTES

1. Shield- 0.20mm THICKNESS BRASS C2680 H.
PLATING NICKEL 20u" Min.
2. Housing- Standard Material Nylon66, Glass filled
Polyester UL94V-0 Standard Color Black.
3. Insert Pin- Plastic: Nylon 66 G.F, UL94V-0, Standard Color Black.
Pin: 0.35mm Thickness Phos-Bronze C5210 EH.
4. Housing- Standard Material Nylon66, Glass filled
Polyester UL94V-0 Standard Color Black.
5. Contact Pin- Plastic: Nylon 66, Glass Filled, UL94V-0,
Standard Color Black.
Pin: 0.35mm Thickness Phos-Bronze C2680.
Plating: Nickel 30~50u" for all and Sn 100u".