

# ES

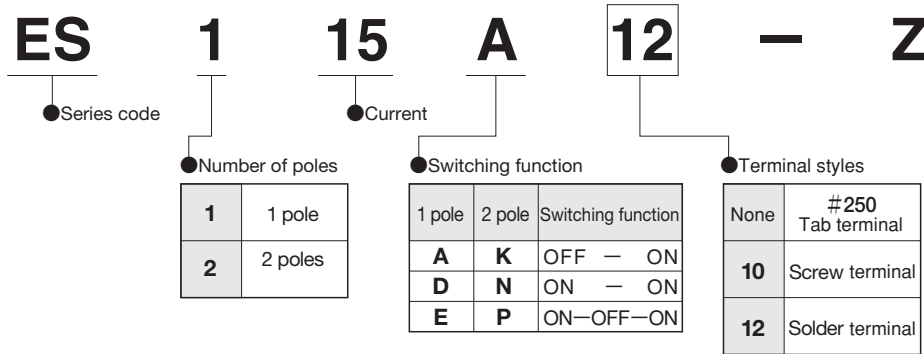


RoHS Compliant



## Miniature Slide Switches

### Part Numbering

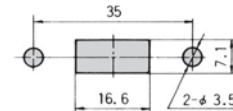


### Terminal Styles

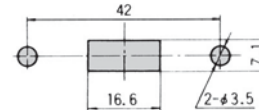
TAB#250 (Style : -)	Screw (Style : 10)		Solder (Style : 12)
	M3.5	M4.5	
	 ES115•215 type (15A type)	 ES125•225 type (25A type)	
			t=0.7

### Panel Cut-Out Dimensions

#### ES115•125 type

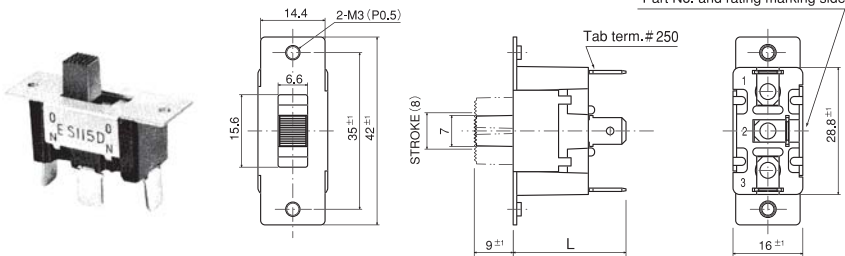


#### ES215•225 type



### ES115 1-pole

Switches with switching function "A" do not have terminal No. 2.



Terminal numbers are shown on the bottom of the switch.

### Dimension L

Terminal style	TAB	Screw	Solder
Part No.			
ES115A■-Z	25.2±1	—	22.3±1
ES115D■-Z	25.2±1	—	22.3±1
ES115E■-Z	25.7±1	—	22.8±1

Switching function	Viewed from part No. marking side		
Part No.			
ES115A■-Z	OFF	—	ON
Connecting terminals	—	—	1-3
ES115D■-Z	ON	—	ON
ES115E■-Z	ON	OFF	ON
Connecting terminals	2-1	—	2-3

### Specifications

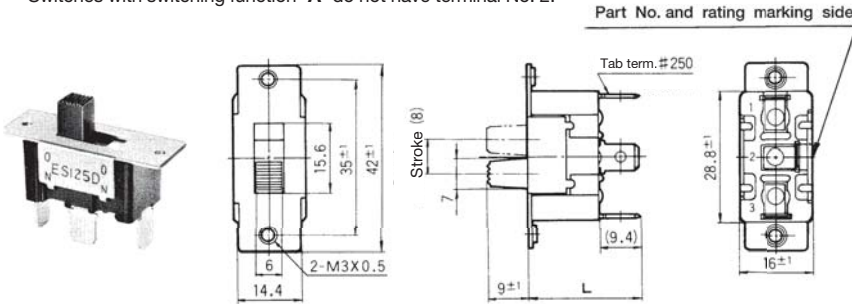
Rating	Initial contact resistance	Dielectric strength	Insulation resistance	Electrical life
ES115A■-Z AC125V 15A	20mΩ Max. (DC2~4V 100mA)	AC1500V 1minute	100MΩ Min. (DC500V)	20,000 cycles
ES115D■-Z AC250V 15A				
ES115E■-Z AC125V 15A AC250V 7A				

To check the full part number of the products marked with the ■, please refer to "Table of Part Numbers" on P. 530.

# ES

## ES125 1-pole

Switches with switching function "A" do not have terminal No. 2.



### Specifications

Terminal numbers are shown on the bottom of the switch.

Rating	Initial contact resistance	Dielectric strength	Insulation resistance	Electrical life
ES125A- <b>■</b> -Z AC125V 25A	20mΩ Max. (DC2~4V 100mA)	AC1500V minute	100MΩ Min. (DC500V)	20,000 cycles
ES125D- <b>■</b> -Z AC250V 25A				
ES125E- <b>■</b> -Z AC125V 25A AC250V 12A				

### Dimension L

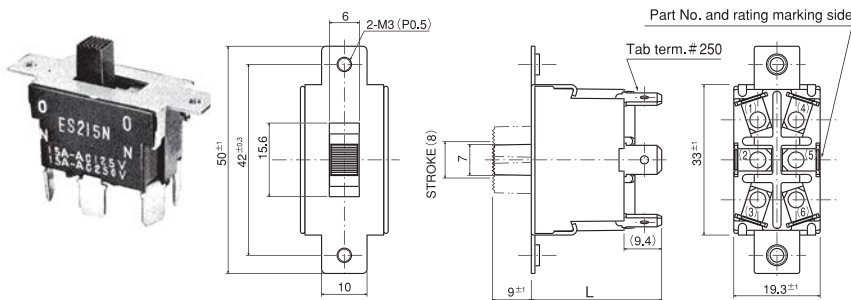
Terminal style	TAB	Screw	Solder
Part No.			
ES125A- <b>■</b> -Z	25.2±1	26.4±1	22.3±1
ES125D- <b>■</b> -Z			
ES125E- <b>■</b> -Z	25.7±1	—	22.7±1

Switching function	Viewed from part No. marking side		
Part No.			
ES125A- <b>■</b> -Z	OFF	—	ON
Connecting terminals	—	—	1-3
ES125D- <b>■</b> -Z	ON	—	ON
ES125E- <b>■</b> -Z	ON	OFF	ON
Connecting terminals	2-1	—	2-3

■ To check the full part number of the products marked with the ■, please refer to "Table of Part Numbers" on P. 530.

## ES215 2-poles

Switches with switching function "K" do not have terminal No. 2 and No. 5.



### Specifications

Terminal numbers are shown on the bottom of the switch.

Rating	Initial contact resistance	Dielectric strength	Insulation resistance	Electrical life
ES215K- <b>■</b> -Z AC125V 15A	20mΩ Max. (DC2~4V 100mA)	AC1500V 1minute	100MΩ Min. (DC500V)	20,000 cycles
ES215N- <b>■</b> -Z AC250V 15A				
ES215P- <b>■</b> -Z AC125V 15A AC250V 7A				

### Dimension L

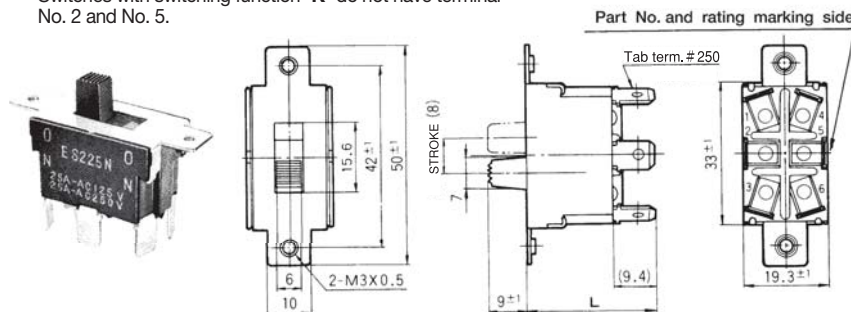
Terminal	TAB	Screw	Solder
Part No.			
ES215K- <b>■</b> -Z	—	—	26.4±1
ES215N- <b>■</b> -Z	29.3±1	27.1±1	
ES215P- <b>■</b> -Z	—	—	

Switching function	Viewed from part No. marking side		
Part No.			
ES215K- <b>■</b> -Z	OFF	—	ON
Connecting terminals	—	—	1-3 4-6
ES215N- <b>■</b> -Z	ON	—	ON
ES215P- <b>■</b> -Z	ON	OFF	ON
Connecting terminals	2-1 5-4	—	2-3 5-6

■ To check the full part number of the products marked with the ■, please refer to "Table of Part Numbers" on P. 530.

## ES225 2-poles

Switches with switching function "K" do not have terminal No. 2 and No. 5.



### Specifications

Terminal numbers are shown on the bottom of the switch.

Rating	Initial contact resistance	Dielectric strength	Insulation resistance	Electrical life
ES225K- <b>■</b> -Z AC125V 25A	20mΩ Max. (DC2~4V 100mA)	AC1500V minute	100MΩ Min. (DC500V)	20,000 cycles
ES225N- <b>■</b> -Z AC250V 25A				
ES225P- <b>■</b> -Z AC125V 25A AC250V 12A				

### Dimension L

Terminal style	TAB	Screw	Solder
Part No.			
ES225K- <b>■</b> -Z	—	—	26.4±1
ES225N- <b>■</b> -Z	29.3±1	30.6±1	
ES225P- <b>■</b> -Z	—	—	

Switching function	Viewed from part No. marking side		
Part No.			
ES225K- <b>■</b> -Z	OFF	—	ON
Connecting terminals	—	—	1-3 4-6
ES225N- <b>■</b> -Z	ON	—	ON
ES225P- <b>■</b> -Z	ON	OFF	ON
Connecting terminals	2-1 5-4	—	2-3 5-6

■ To check the full part number of the products marked with the ■, please refer to "Table of Part Numbers" on P. 530.

■ indicates the terminal style number ("None", "10", or "12").

● For the soldering specifications and flux cleaning specifications, please refer to P. 525.