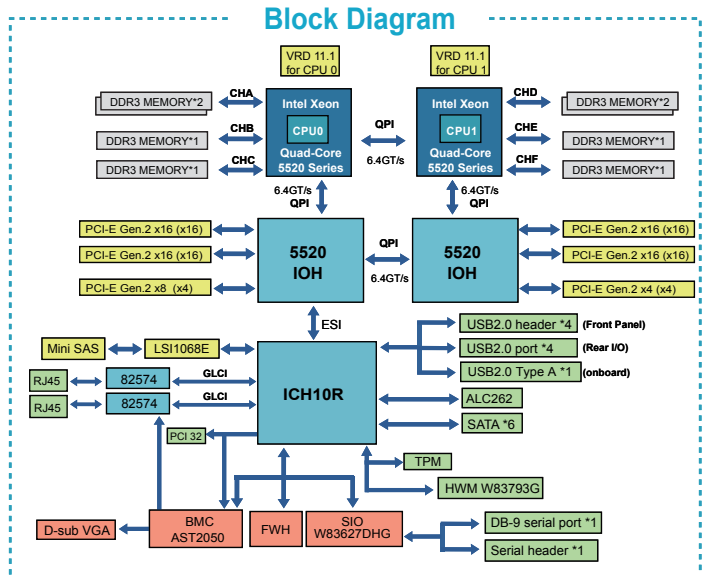


S7025

S7025WAGM2NR/ S7025AGM2NR

Processor	Supported CPU Series	Intel® Xeon® processors 5500/5600 series	
	Socket Type / Q'ty	LGA1366 / (2)	
	Thermal Design Power (TDP) wattage	130W	
Chipset	IOH / ICH	Intel® (2) 5520 / ICH10R	
	Super I/O	Winbond W83627DHG	
Memory	Supported DIMM Qty	(8) DIMM sockets	
	DIMM Type / Speed	DDR3 800/1066/1333 RDIMM/UDIMM	
	Capacity	Up to 64GB	
	Memory channel	6 Channels (3 Channels per CPU)	
	Memory voltage	1.5V	
Expansion Slots	PCI-E	(4) PCI-E Gen.2 x16 slots (1) PCI-E Gen.2 x8 slot (w/ x4 link) (1) PCI-E Gen.2 x4 slot	
	PCI	(1) PCI 32-bit slot	
	Port Q'ty	(2)	
LAN	Controller	Intel® 82574L	
	Connector	(2) Mini-SAS connectors (support 8 ports)	
Storage	SAS (opt.)	Controller	LSI SAS1068E (S7025WAGM2NR only)
		Speed	3.0 Gb/s
		RAID	RAID 0/1/1E (LSI Integrated RAID)
	SATA	Controller	ICH10R
Speed		3.0 Gb/s	
RAID		RAID 0/1/10/5 (Intel® Matrix RAID)	
Graphic	Connector type	D-Sub 15-pin	
	Resolution	1600x1200@60Hz	
Audio	Chipset	Realtek ALC262	
	Feature	HDA 2.0 spec. complaint	
Input /Output	USB	(9) USB2.0 ports (4 at rear, 4 via cable, 1 type A onboard)	
	COM	(2) ports (1 at rear, 1 via cable)	
	SAS (opt.)	(2) Mini-SAS (4-in-1) connectors (S7025WAGM2NR only)	
	VGA	(1) D-Sub 15-pin VGA port	
	Audio	(1) CD_IN Header (1) 2x5-pin front panel audio header	
	RJ-45	(2) GbE ports	
	Power	SSI 24-pin + 8-pin + 8-pin power connectors / EPS12V	
	Front Panel	(1) 2x12-pin SSI front panel header	
	SATA	(6) SATA-II connectors	
	System Monitoring	Chipset	Winbond W83793G
		Voltage	Monitors voltage for CPU, memory, chipset & power supply
Fan		Total (7) 4-pin headers	
Temperature		Monitors temperature for CPU & system environment	
Others		Chassis intrusion detection Watchdog timer support	



Server Management	Onboard Chipset	Onboard Aspeed AST2050
	AST2050 IPMI Feature	IPMI 2.0 compliant baseboard management controller (BMC) Supports storage over IP and remote platform flash BIOS update USB 2.0 virtual hub
	AST2050 iKVM Feature	24-bit high quality video compression Dual 10/100 Mb/s MAC interfaces
BIOS	Brand / ROM size	AMI / 4MB
	Feature	Plug and Play (PnP) / PCI.3 WfM2.0 / SMBIOS2.3 / PXE Boot ACPI 2.0 power management Power on mode after power recovery User-configurable H/W monitoring Auto-configurable of hard disk types Multiple boot options
Form Factor	Form Factor	SSI EEB
	Board Dimension	12"x13" (305x330mm)
Operating System	OS supported list	Please refer to our OS supported list.
	FCC (DoC)	Class B
Regulation	CE (DoC)	Yes
	Operating Temp.	10° C ~ 35° C (50° F ~ 95° F)
Operating Environment	Non-operating Temp.	- 40° C ~ 70° C (-40° F ~ 158° F)
	In/Non-operating Humidity	90%, non-condensing at 35° C
RoHS	RoHS 6/6 Compliant	Yes

(Specifications are subject to change without notice. Items pictured may only be representative.)

MITAC INTERNATIONAL CORP.
TYAN Business Unit

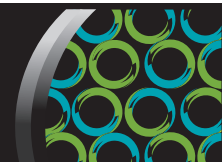
USA
Tel: +1-510-651-8868
Fax: +1-510-651-7688

Taiwan
Tel: +886-2-2652-5888
Fax: +886-2-2652-5805

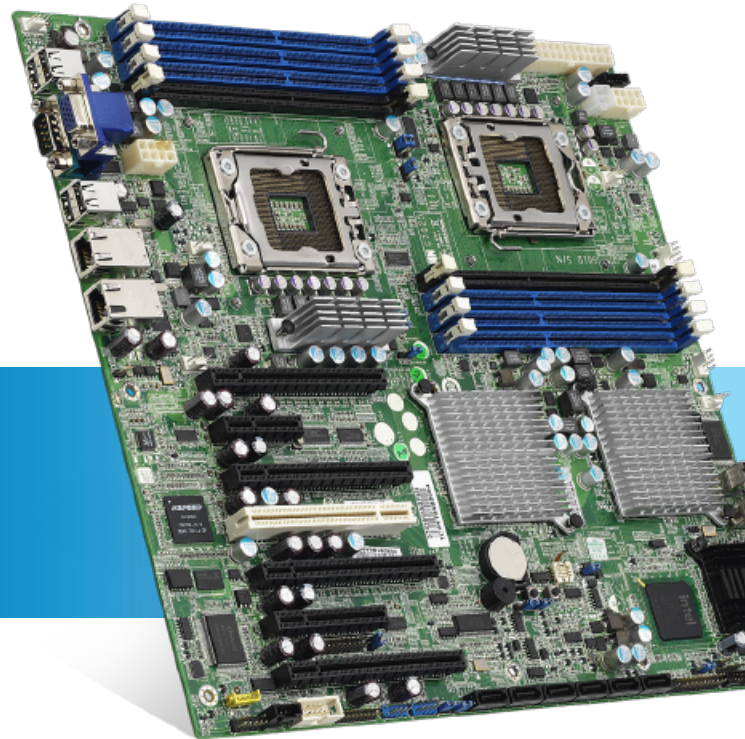
Japan
Tel: +81-3-3769-8311
Fax: +81-3-3769-8328

Europe
Sales: +32 2456 1721
Technical Support: +32 2456 1722

China
Shanghai Tel: +86-21-61431188 Ext 1366
China Tel: +86-010-62555015 Ext 8302

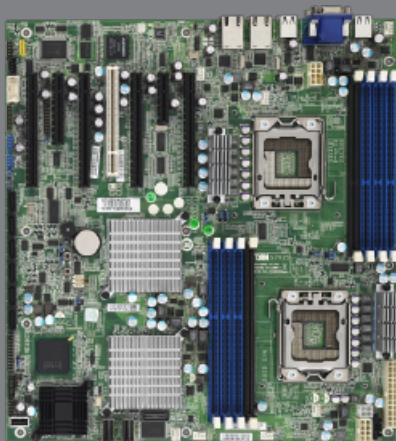


DUAL-SOCKET SERVER / WORKSTATION PLATFORM



S7025

S7025WAGM2NR/ S7025AGM2NR



■ Intel® 5520 Chipset

Dual-socket server/ workstation platform with (4) PCI-E x16 slots and iKVM support

- Dual LGA1366 sockets support up to (2) Intel® Xeon® processors 5500/ 5600 series
- Support QPI 6.4/ 5.86/ 4.8 GT/s
- (2) Intel® 5520 IOH
- Intel® ICH10R South Bridge
- (8) 240-pin DDR3 DIMM slots support up to 64GB R-DDR3 1333/1066/800MHz w/ ECC memory
- (4) PCI-E Gen.2 x16 slots / (1) PCI-E Gen.2 x8 slot (w/ x4 link)
- (1) PCI-E Gen.2 x4 slot / (1) PCI 32/33MHz slot
- (8) SAS ports by (2) mini-SAS connectors w/ RAID 0, 1, 1E support (S7025WAGM2NR)
- (6) SATA-II connectors w/ RAID 0, 1, 10, 5 support
- Onboard Audio
- (2) GbE LAN
- TPM 1.2 (Trusted Platform Module) support
- Onboard BMC w/ IPMI and iKVM support
- SSI EEB (12" x 13") form factor

