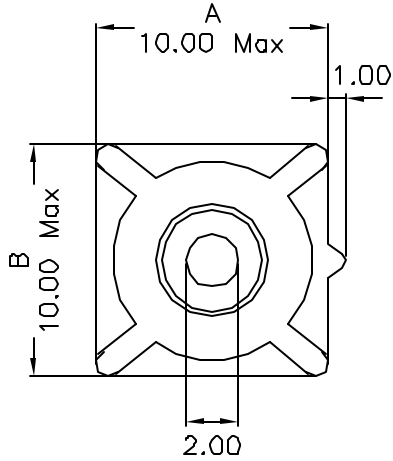
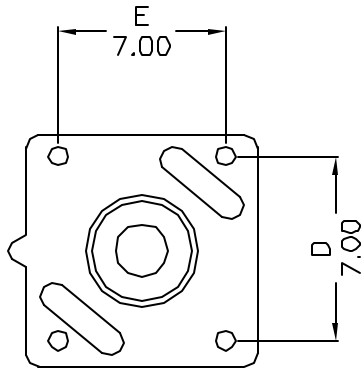
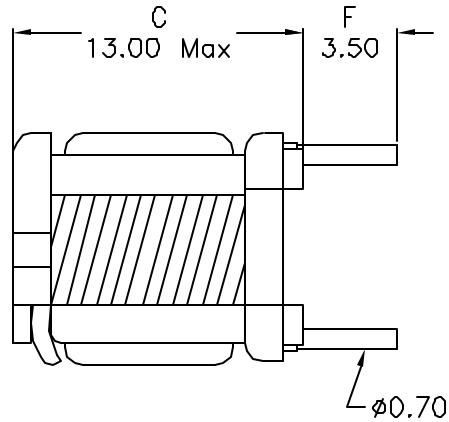


1. Mechanical Dimensions:

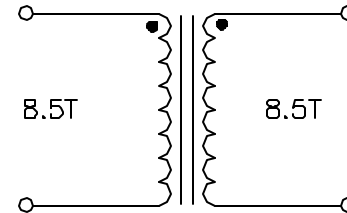


Top view



Bottom view

2. Schematic:



3. Electrical Specifications: @25°C

Inductance: 0.44uH Nominal @50MHz, 0.1V

Q: 100 Min @50MHz 0.1V

Tuning Capacitance Range: 23.0pF±3% @50MHz 0.1V

Notes:

1. Solderability: Leads shall meet MIL-STD-202G, Method 208H for solderability.
2. Flammability: UL94V-0
3. ASTM oxygen index: > 28%
4. Insulation System: Class F 155°C. UL file E151556
5. Operating Temperature Range: All listed parameters are to be within tolerance from -40°C to +85°C
6. Storage Temperature Range: -55°C to +125°C
7. Aqueous wash compatible
8. Electrical and mechanical specifications 100% tested
9. RoHS Compliant Component

XFMRs Inc. www.XFMRs.com	Title: Molded Coils		
	P/N: E526HN-100309	REV. A	
UNLESS OTHERWISE SPECIFIED TOLERANCES: .xx±0.30 Dimensions in MM	DWN.	Juan Mao	Mar-14-06
	CHK.	YK Liao	Mar-14-06
SHEET 1 OF 1	APP.	MS	Mar-14-06

DOC. REV A/1

PROPRIETARY

Document is the property of XFMRs Group & is not allowed to be duplicated without authorization.