

THIS DRAWING IS UNPUBLISHED. RELEASED FOR PUBLICATION
 © COPYRIGHT BY TYCO ELECTRONICS CORPORATION. ALL RIGHTS RESERVED.

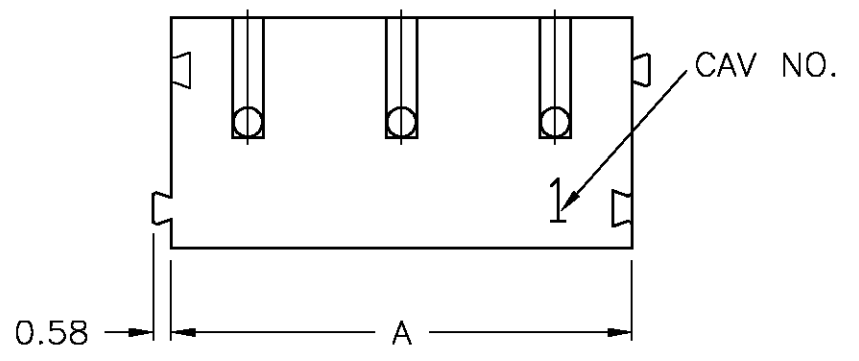
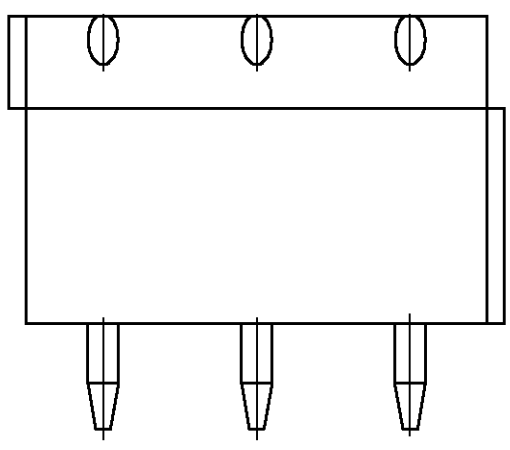
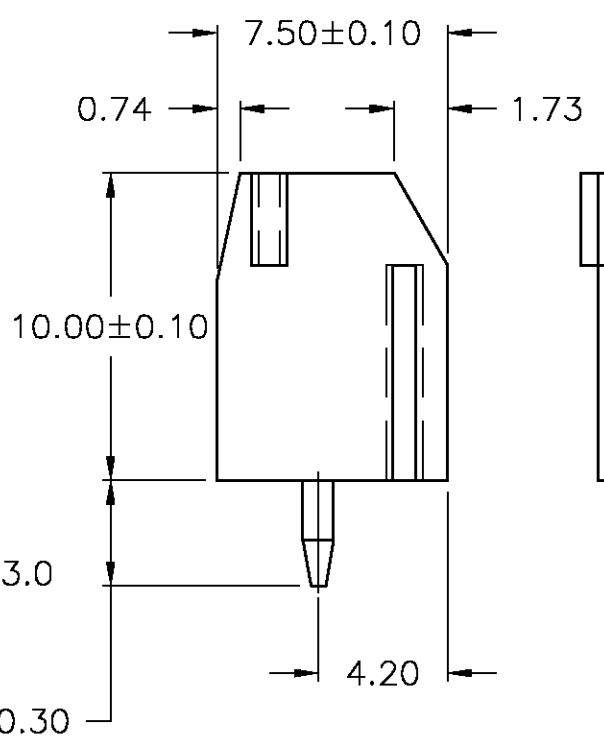
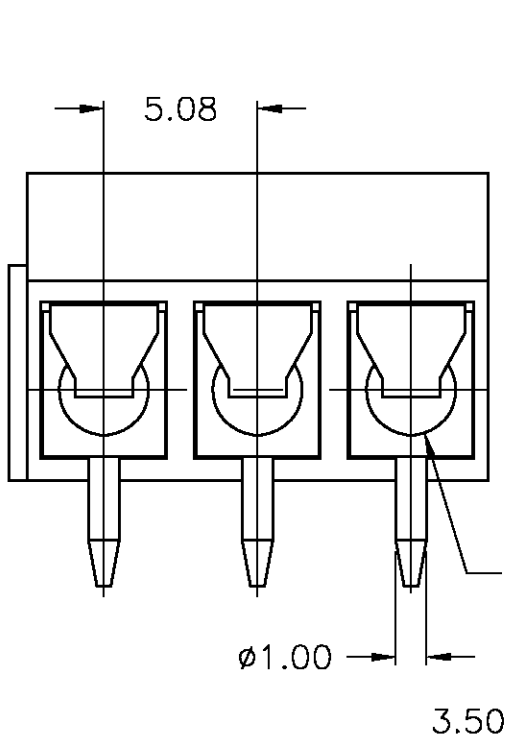
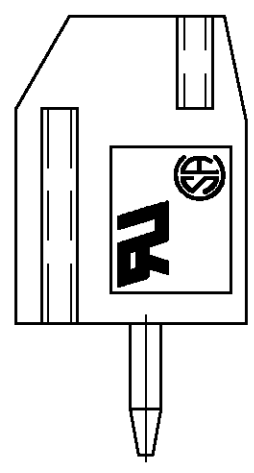
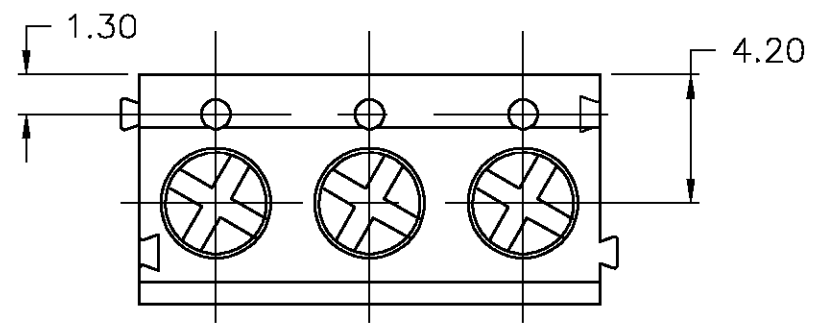
LOC	DIST	REVISIONS					
FT	0	P	LTR	DESCRIPTION	DATE	DWN	APVD
		0		REVISED PER 0G3B-0913-04	5/5/05	SS	CR

NOTES:

1. ALL DIMENSIONS ARE IN MM.
2. RECOMMENDED PC-BOARD-HOLES DIAMETER: $\phi 1.20\text{mm}$ to 1.40mm .
3. BUCHANAN LOGO TO APPEAR ON HOUSING LOCATION OPTIONAL WHERE SPACE PERMITS.

D
C
B
A

D
C
B
A



1776493-3 AS SHOWN

DIM. A	NO. OF POS.	PART NUMBER
121.92	24	2-1776493-4
116.84	23	2-1776493-3
111.76	22	2-1776493-2
106.68	21	2-1776493-1
101.60	20	2-1776493-0
96.52	19	1-1776493-9
91.44	18	1-1776493-8
86.36	17	1-1776493-7
81.28	16	1-1776493-6
76.20	15	1-1776493-5
71.12	14	1-1776493-4
66.04	13	1-1776493-3
60.96	12	1-1776493-2
55.88	11	1-1776493-1
50.80	10	1-1776493-0
45.72	9	1776493-9
40.64	8	1776493-8
35.56	7	1776493-7
30.48	6	1776493-6
25.40	5	1776493-5
20.32	4	1776493-4
15.24	3	1776493-3
10.16	2	1776493-2

THIS DRAWING IS A CONTROLLED DOCUMENT.		DWN S SCHLEGEL 5/5/05	Tyco Electronics Corporation Harrisburg, PA 17105-3608			
DIMENSIONS: MM		CHK C RICHARD 5/5/05				
TOLERANCES UNLESS OTHERWISE SPECIFIED:		APVD C RICHARD 5/5/05	NAME			
0 PLC ± - 1 PLC ± 0.3 2 PLC ± 0.25 3 PLC ± - 4 PLC ± - ANGLES ± -		PRODUCT SPEC	TERMINAL BLOCK PCB MOUNT, STRAIGHT SIDE WIRE ENTRY, LOW PROFILE W/ INTERLOCK, 5.08mm PITCH (LT), HIGH TEMP			
MATERIAL		APPLICATION SPEC	SIZE	CAGE CODE	DRAWING NO	RESTRICTED TO
FINISH		WEIGHT	A3	00779	C-1776493	-
CUSTOMER DRAWING			SCALE	SHEET	REV	
			NTS	1 OF 2	0	

THIS DRAWING IS UNPUBLISHED. RELEASED FOR PUBLICATION
 © COPYRIGHT - BY TYCO ELECTRONICS CORPORATION. ALL RIGHTS RESERVED.

LOC	DIST	REVISIONS			
P	LTR	DESCRIPTION	DATE	DWN	APVD
FT	0	SEE SHEET 1	-	-	-

1. Application and Features:

- 1-1. Standard sizes are 2 and 3 way—blocks, but every number of contact can be combined, by simply plugging them together and can be ordered as required**
- 1-2. With wire guard for wire protection (for that the screw doesn't press directly on the wire)

2-3. Mechanical:

- 2-3-1. Torque: 4 Kg.cm (Max).
- 2-3-2. Operating temperature: -55°C to +105°C.
- 2-3-3. Solderability: 95% coverage (min).


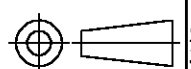
2. Technical Data:

2-1. Material:

- 2-1-1. HOUSING: HIGH TEMP. POLYAMIDE UL 94 V-0 (Blue).
- 2-1-2. Metal Housing: Brass(Cu Zn)
Cu,Tin plated.
- 2-1-3. Wire guard: Stainless steel.
- 2-1-4. Screw: Steel galvanized and chromitized, M2.6

2-2. Electrical:

- 2-2-1. Current rating: 10 Amps/way max.
- 2-2-2. Contact resistance: 20mΩ (Max).
- 2-2-3. Insulation resistance: 5000MΩ /1000V.
- 2-2-4. Withstanding Voltage: 1500VAC (1min).
test time =60sec/1pcs
- 2-2-5. Operation Voltage: 300 VAC.
- 2-2-6. Wire Range: 14-22 AWG.

THIS DRAWING IS A CONTROLLED DOCUMENT.		DWN S SCHLEGEL	5/5/05	 Tyco Electronics Corporation Harrisburg, PA 17105-3608	
DIMENSIONS: MM		CHK C RICHARD	5/5/05	NAME	
		APVD C RICHARD	5/5/05	TERMINAL BLOCK PCB MOUNT, STRAIGHT SIDE WIRE ENTRY, LOW PROFILE W/ INTERLOCK, 5.08mm PITCH (LT), HIGH TEMP	
TOLERANCES UNLESS OTHERWISE SPECIFIED:		PRODUCT SPEC		RESTRICTED TO	
0 PLC ± - 1 PLC ± 0.3 2 PLC ± 0.25 3 PLC ± - 4 PLC ± - ANGLES ± -		APPLICATION SPEC		SIZE CAGE CODE DRAWING NO	
MATERIAL		WEIGHT		A3 00779 C-1776493	
FINISH		CUSTOMER DRAWING		SCALE	SHEET 2 OF 2 REV 0
				NTS	