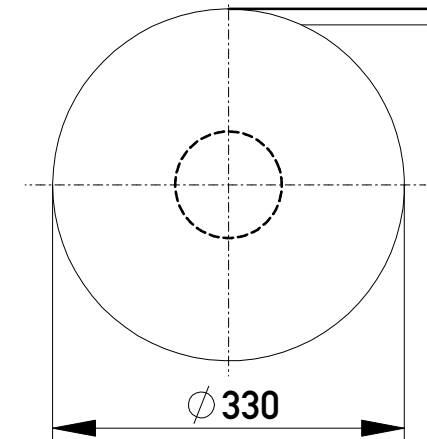
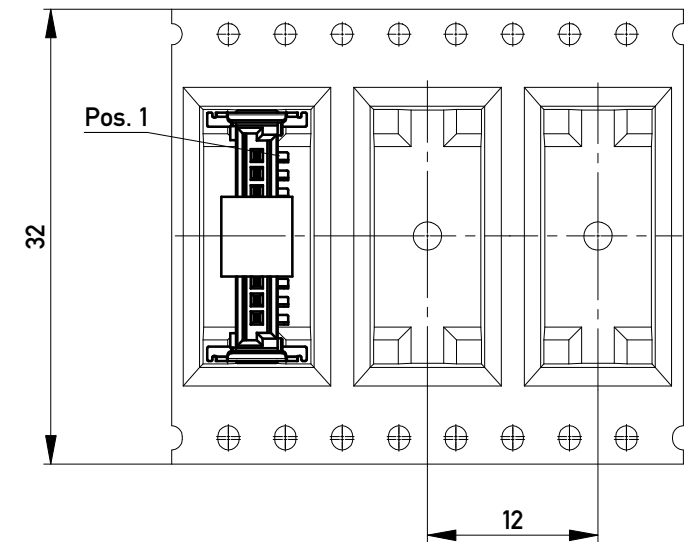


Verpackt in Gurtverpackung
Tape on Reel Packaging
 Verpackungseinheit: 650 Stück
Packaging unit: 650 pcs



Abspulrichtung - *Reel off Direction*



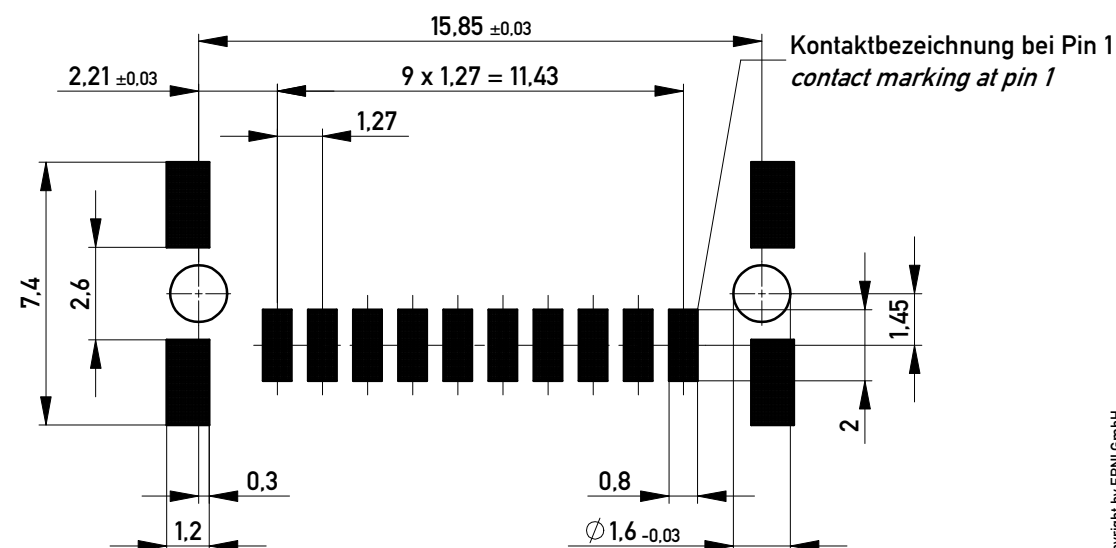
Anforderungsstufe 1
Performance Level 1

Kontaktbereich vergoldet
Mating Area gold plating

Anschlussbereich verzinkt 4-6 µm
Terminal Area 4-6 µm tin plating

Koplanarität der Anschlüsse ≤ 0,1 mm
Coplanarity Area of Termination ≤ 0,1 mm

Leiterplatten-Layout für SMT
PCB-Layout for SMT



Information: vergrößerte Löt pads - enlarged solder pads	Tolerances All Dimensions in mm	Scale	5:1
		Designation M 1,27 SRC P, 10-polig BA1	
All rights reserved. Only for Information. To ensure that this is the latest version of this drawing, please contact one of the ERNI companies before using.	Subject to modification without prior notice. Drawing will not be updated.	www.ERNI.com	
		Index	08.04.2013 Date
		100101040001	K A3

Copyright by ERNI GmbH
 Proprietary notice pursuant to ISO 16016 to be observed.