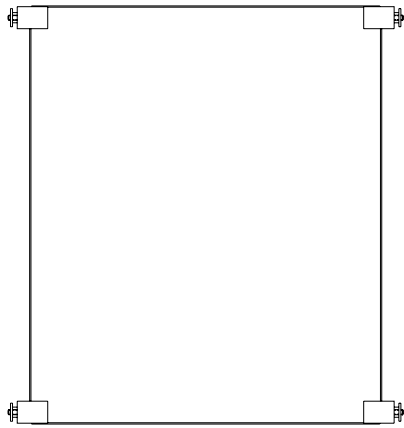
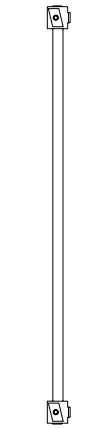


PART No. 72XHW
for more information visit
www.hammfg.com
Data subject to change without notice
Isometric drawing Not to Scale



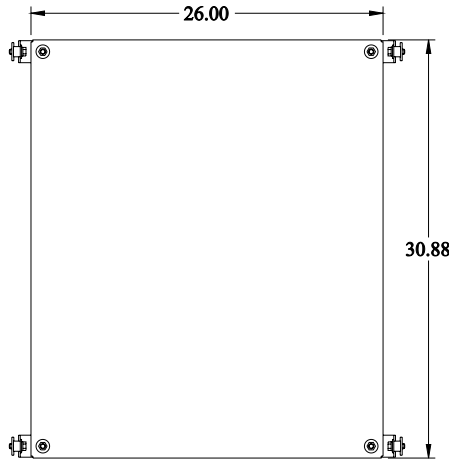
REAR VIEW



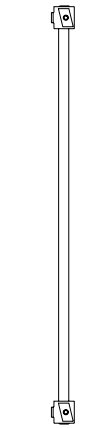
SIDE VIEW



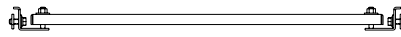
TOP VIEW



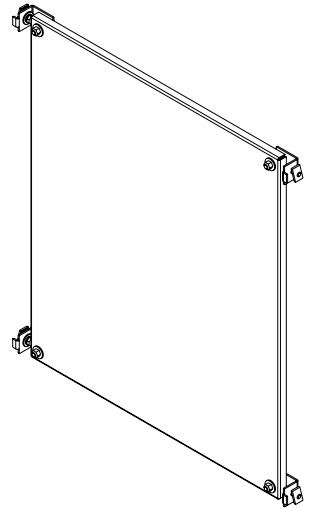
FRONT VIEW



SIDE VIEW



BOTTOM VIEW



ISOMETRIC VIEW