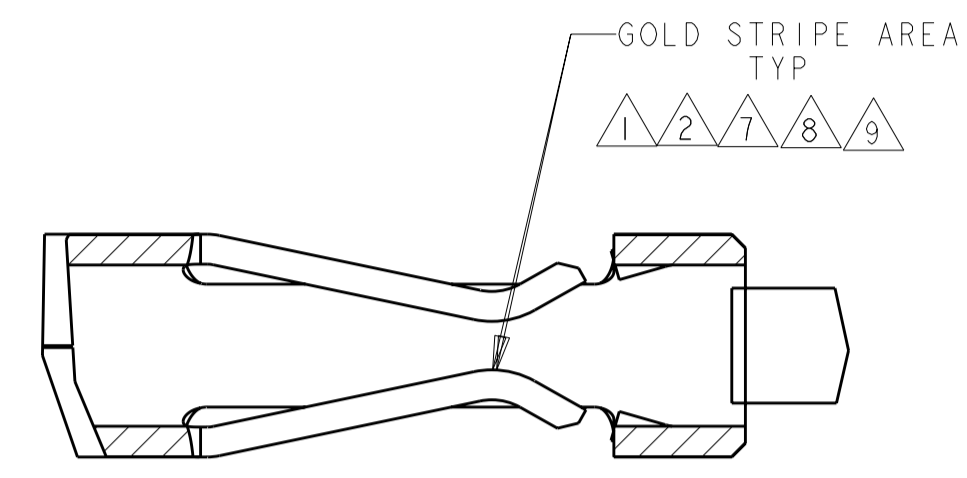
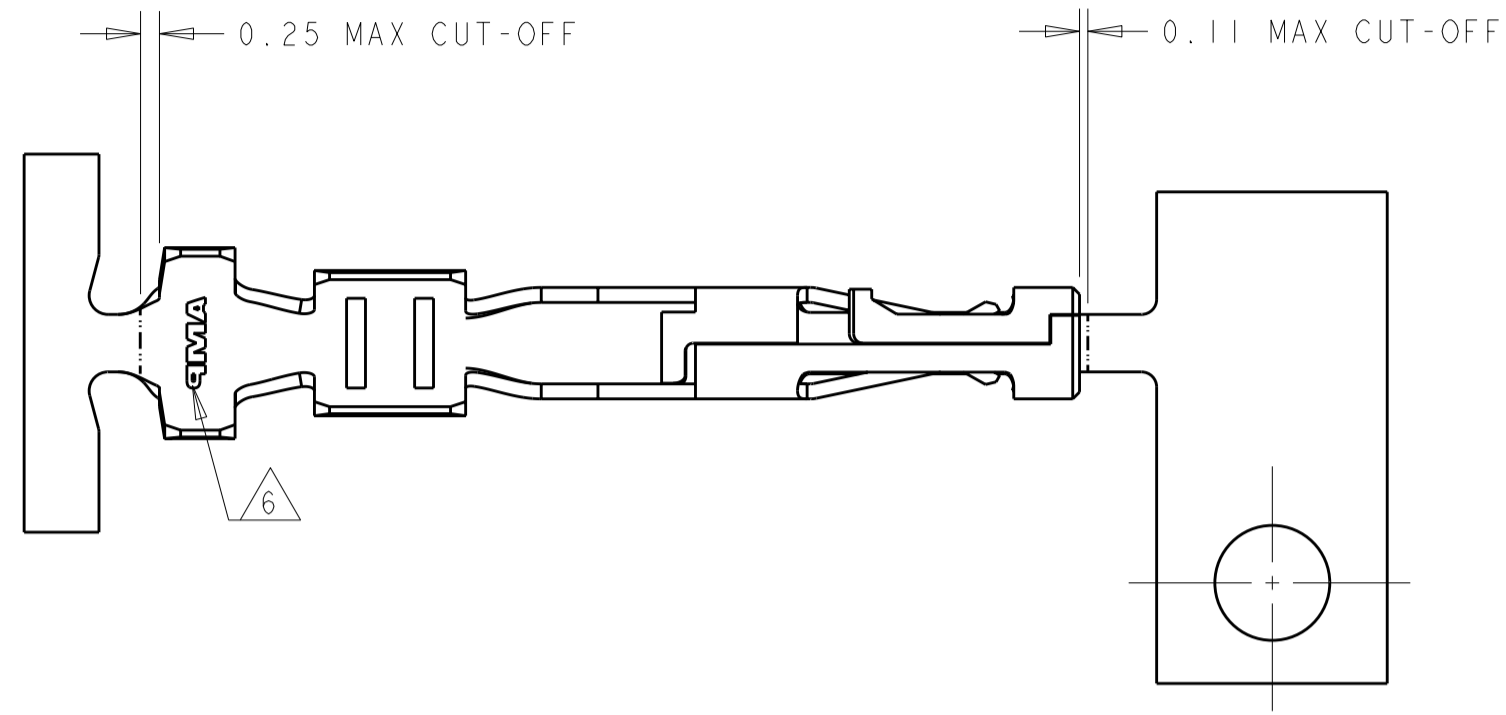


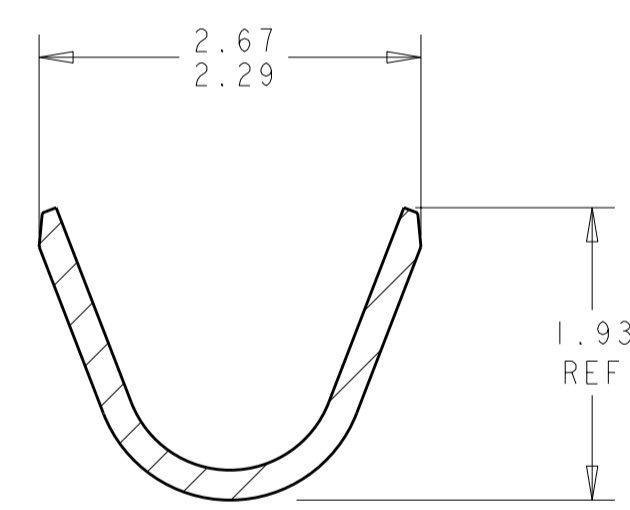
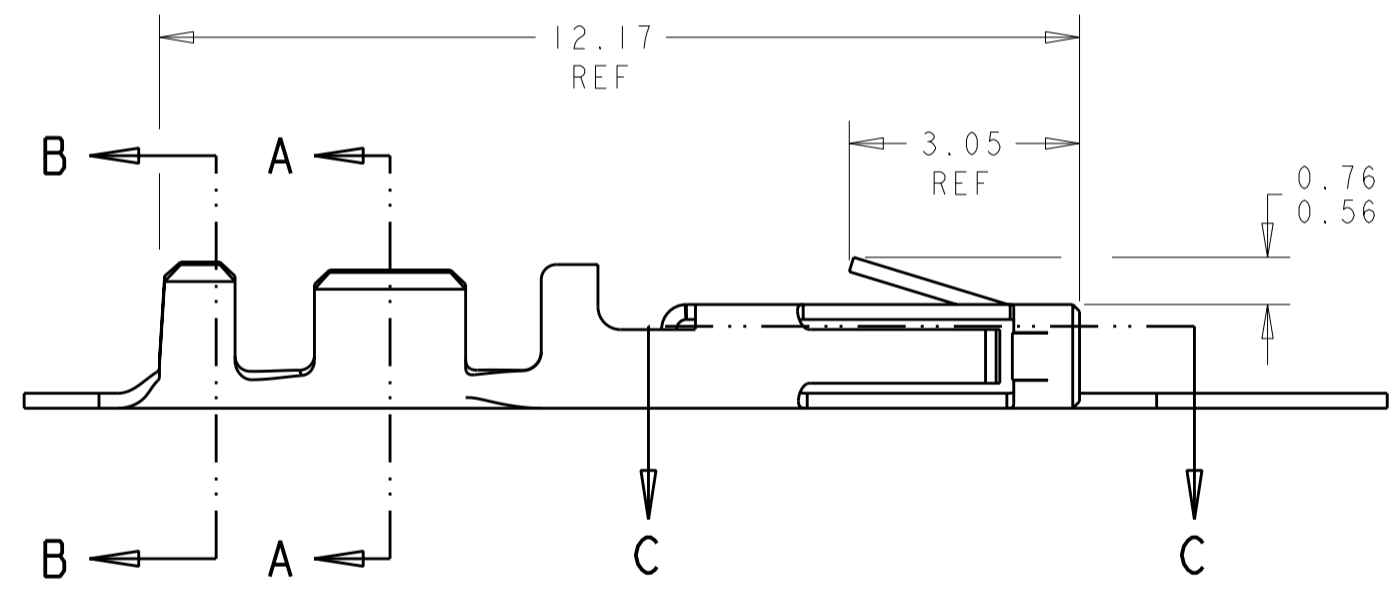
THIS DRAWING IS UNPUBLISHED. RELEASED FOR PUBLICATION
 © COPYRIGHT 20 BY - ALL RIGHTS RESERVED.

LOC		DIST		REVISIONS			
P	LTR	DESCRIPTION		DATE	DWN	APVD	
CM	53	H3	REVISED PER ECO-11-025415		20DEC11	JR	TM

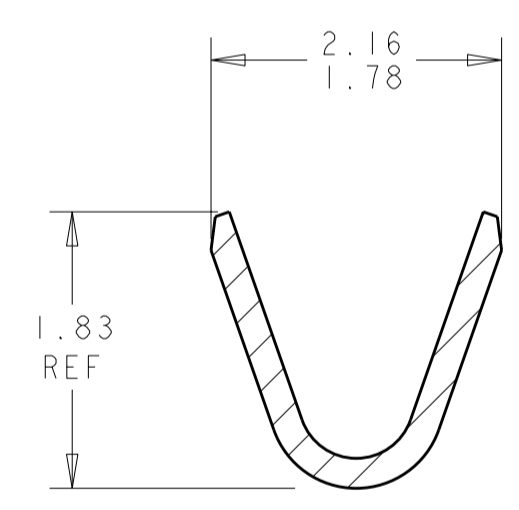


SECTION C-C
SCALE 20:1

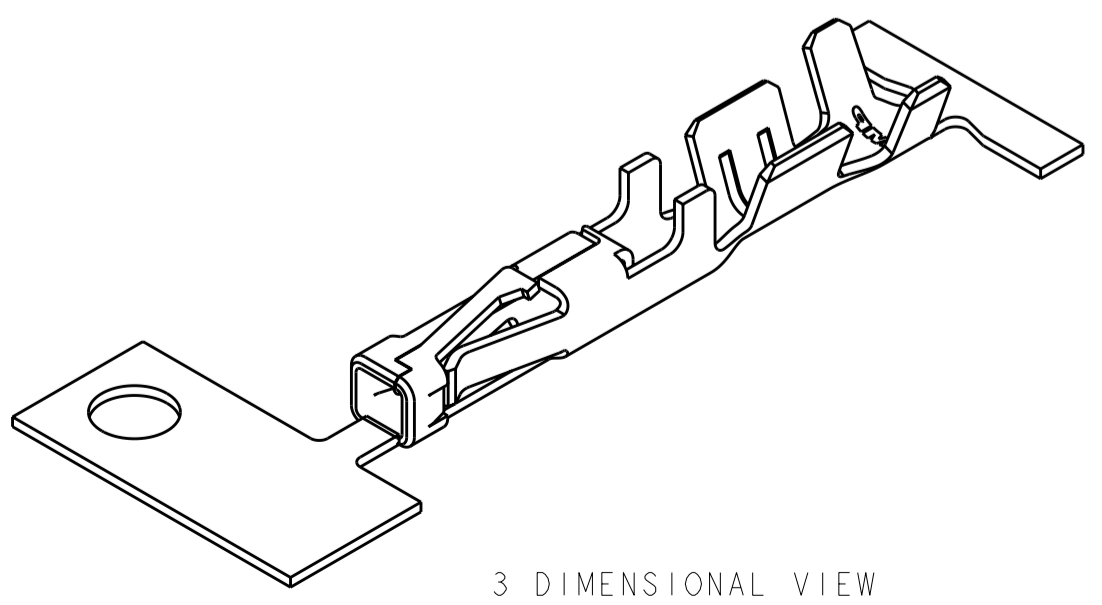
- 1 0.000762 MIN THK GOLD STRIPE IN THE GOLD PLATE AREA, BRIGHT TIN IN THE CRIMP AREA, OVER NICKEL PLATE.
- 2 0.000381 THK GOLD STRIPE IN THE GOLD PLATE AREA, BRIGHT TIN IN THE CRIMP AREA, OVER NICKEL PLATE.
- 3 0.0015 - 0.0040 THK BRIGHT TIN.
- 4 WIRE RANGE: 20 - 24 AWG.
- 5 INSULATION RANGE 0.89 - 1.524.
- 6 AMP LOGO LOCATED APPROXIMATELY AS SHOWN.
- 7 0.000762 THK GOLD STRIPE IN THE GOLD PLATE AREA, BRIGHT TIN-LEAD IN THE CRIMP AREA, OVER NICKEL PLATE.
- 8 0.000381 THK GOLD STRIPE IN THE GOLD PLATE AREA, BRIGHT TIN-LEAD IN THE CRIMP AREA, OVER NICKEL PLATE.
- 9 0.00102 MIN THK GOLD STRIPE IN THE GOLD PLATE AREA, BRIGHT TIN IN THE CRIMP AREA, OVER NICKEL PLATE.



SECTION B-B
SCALE 20:1



SECTION A-A
SCALE 20:1



3 DIMENSIONAL VIEW
SCALE 8:1

9	1-794606-3
1	1-794606-2
2	1-794606-1
7	794606-3
8	794606-2
3	794606-1
FINISH	PART NUMBER

METRIC

THIS DRAWING IS A CONTROLLED DOCUMENT.		DWN K. WHITAKER 12-OCT-1999	TE Connectivity	
DIMENSIONS: mm		CHK K. COBLE 12-OCT-1999		
TOLERANCES UNLESS OTHERWISE SPECIFIED:		APVD K. COBLE 12-OCT-1999	NAME CONTACT, RECEPTACLE, CRIMP, SNAP-IN, MICRO MATE-N-LOK(TM)	
0 PLC ± 1 PLC ± 2 PLC ±0.13 3 PLC ± 4 PLC ±		PRODUCT SPEC 108-1836	SIZE A200779	
ANGLES ±0.30° FINISH		APPLICATION SPEC	DRAWING NO C-794606	
MATERIAL 0.2 PH BRZ		WEIGHT -	RESTRICTED TO -	
SEE TABLE		CUSTOMER DRAWING	SCALE 10:1 SHEET 1 OF 1 REV. H3	