

**300mA Low-Dropout Linear Regulators****Features**

- Low, 100 μ A No-Load Supply Current
- Guaranteed 300mA Output Current
- Dropout Voltage is 100mV @ 100mA Load
- Over-Temperature Protection and Short-Circuit Protection
- Max. Supply Current in Shutdown Mode < 1 μ A
- Stable with Low Cost Ceramic Capacitors
- 1% Accuracy Over Line, Load and Temperature

Applications

- Notebook Computers
- Cellular Phones
- PDAs
- Digital still Camera and Video Recorders
- Hand-Held Devices
- Bar Code Scanners

General Description

The G9002 is a low supply current, low dropout linear regulator that comes in a space saving SOT-23-5, package. The supply current at no-load is 100 μ A. In the shutdown mode, the maximum supply current is less than 1 μ A. The over-current protection limit is set at 430mA typical. An overtemperature protection circuit is built-in in the G9002 to prevent thermal overload. These power saving features make the G9002 ideal for use in the battery-powered applications such as notebook computers, cellular phones, and PDA's.

These devices feature a shutdown function and are offered in active low with auto discharge. The G9002 is specifically designed to employ ceramic output capacitors. The G9002 comes in a space saving SOT-23-5 package.

Ordering Information

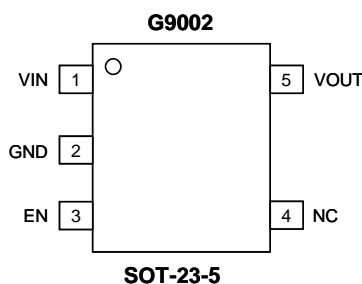
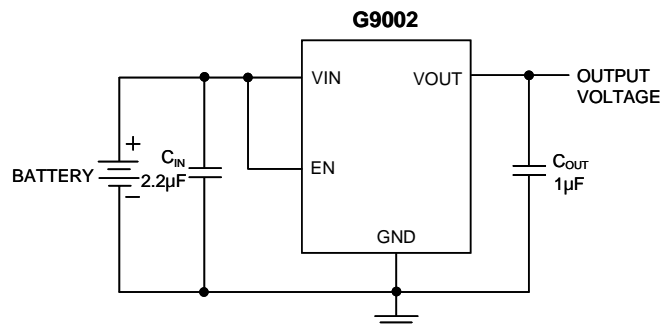
ORDER NUMBER	MARKING	VOLTAGE	TEMP. RANGE	PACKAGE (Green)
G9002-120T11U	901Ax	1.20V	-40°C~ +85°C	SOT-23-5
G9002-150T11U	901Dx	1.50V	-40°C~ +85°C	SOT-23-5
G9002-180T11U	901Fx	1.80V	-40°C~ +85°C	SOT-23-5
G9002-250T11U	901Ix	2.50V	-40°C~ +85°C	SOT-23-5
G9002-280T11U	901Lx	2.80V	-40°C~ +85°C	SOT-23-5
G9002-285T11U	901Qx	2.85V	-40°C~ +85°C	SOT-23-5
G9002-330T11U	901Ox	3.30V	-40°C~ +85°C	SOT-23-5
G9002-500T11U	901Sx	5.00V	-40°C~ +85°C	SOT-23-5

For other output voltage, please contact us at sales@gmt.com.tw

Note: T1: SOT23-5

1: Bonding Code

U: Tape & Reel

Pin Configuration**Typical Application Circuit**

Selector Guide

ORDER NUMBER	MARKING	OUTPUT VOLTAGE (V)	PACKAGE (Green)
G9002-120T11U	901Ax	1.20	SOT-23-5
G9002-130T11U	901Bx	1.30	SOT-23-5
G9002-140T11U	901Cx	1.40	SOT-23-5
G9002-150T11U	901Dx	1.50	SOT-23-5
G9002-170T11U	901Ex	1.70	SOT-23-5
G9002-180T11U	901Fx	1.80	SOT-23-5
G9002-190T11U	901Gx	1.90	SOT-23-5
G9002-200T11U	901Hx	2.00	SOT-23-5
G9002-250T11U	901Ix	2.50	SOT-23-5
G9002-260T11U	901Jx	2.60	SOT-23-5
G9002-270T11U	901Kx	2.70	SOT-23-5
G9002-280T11U	901Lx	2.80	SOT-23-5
G9002-285T11U	901Qx	2.85	SOT-23-5
G9002-300T11U	901Mx	3.00	SOT-23-5
G9002-320T11U	901Nx	3.20	SOT-23-5
G9002-330T11U	901Ox	3.30	SOT-23-5
G9002-475T11U	901Px	4.75	SOT-23-5
G9002-500T11U	901Sx	5.00	SOT-23-5

Minimum Footprint PCB Layout Section

SOT-23-5

