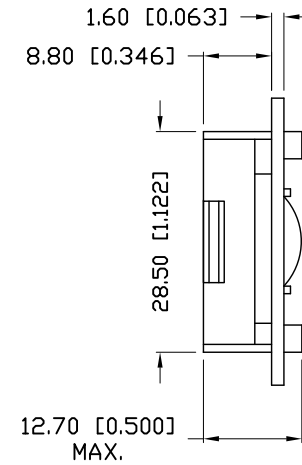
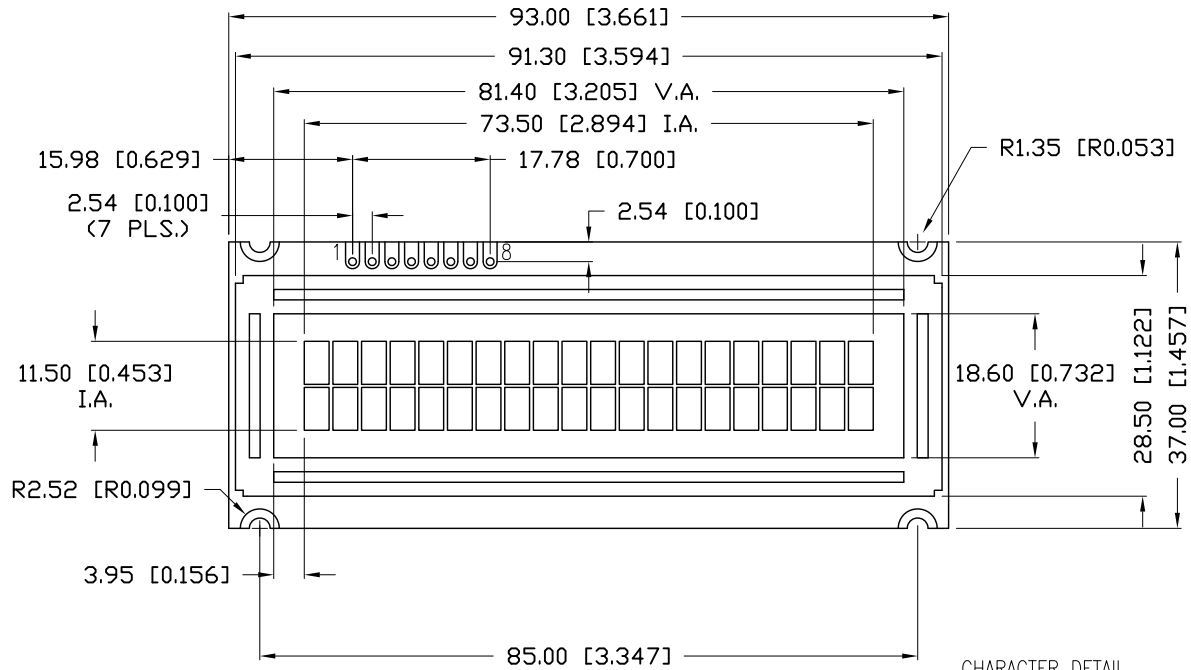
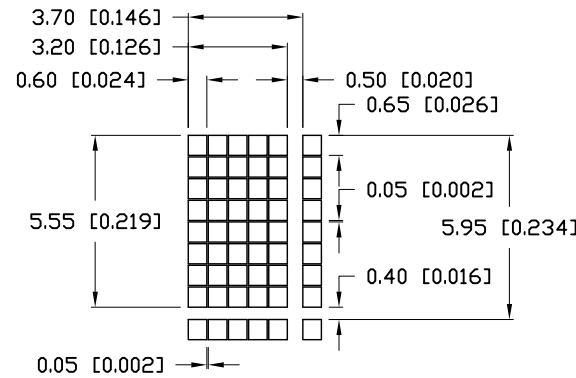


PART NUMBER	LCM-E02002DTF-U	REV.	B
DATE	E.C.N. NUMBER AND REVISION COMMENTS		REV.
02.13.07	E.C.N. #11148.		A
05.07.13	E.C.N. #10BRDR. & REDRAWN.		B



CHARACTER DETAIL



CAUTION: STATIC SENSITIVE DEVICE
 FOLLOW PROPER E.S.D. HANDLING PROCEDURES
 WHEN WORKING WITH THIS PART.

*UNLESS OTHERWISE SPECIFIED TOLERANCES PER DECIMAL PRECISION ARE: X=±1 (±0.039), X.X=±0.5 (±0.020), X.XX=±0.25 (±0.010), X.XXX=±0.127 (±0.005). LEAD SIZE=±0.05 (±0.002), LEAD LENGTH=±0.75 (±0.030). MIN= ^{+DECIMAL PRECISION} MAX.= ^{+0.00} _{-0.00} DECIMAL PRECISION



425 N. GARY AVE.
 CAROL STREAM, IL 60188-4900
 PHONE: +1.800.278.5666
 FAX: +1.630.315.2152
 WEB: WWW.LUMEX.COM
 MEMBER OF ITW PHOTONICS GROUP

20x2 CHAR LCD MODULE, TN, TRANS, SERIAL INPUT, EDGE LIT BLUE LED BACKLIGHT, 1/17 DUTY, 1/5 BIAS, VLCD=4.5V.

THE SPECIFICATIONS MAY CHANGE AT ANY TIME WITHOUT NOTICE DUE TO NEW MATERIALS OR PRODUCT IMPROVEMENT.

CONFIDENTIAL INFORMATION
 THE INFORMATION CONTAINED IN THIS DOCUMENT IS THE PROPERTY OF LUMEX INC. EXCEPT AS SPECIFICALLY AUTHORIZED IN WRITING BY LUMEX INC., THE HOLDER OF THIS DOCUMENT SHALL KEEP ALL INFORMATION CONTAINED HEREIN CONFIDENTIAL AND SHALL PROTECT SAME IN WHOLE OR IN PART FROM DISCLOSURE AND DISSEMINATION TO ALL THIRD PARTIES.

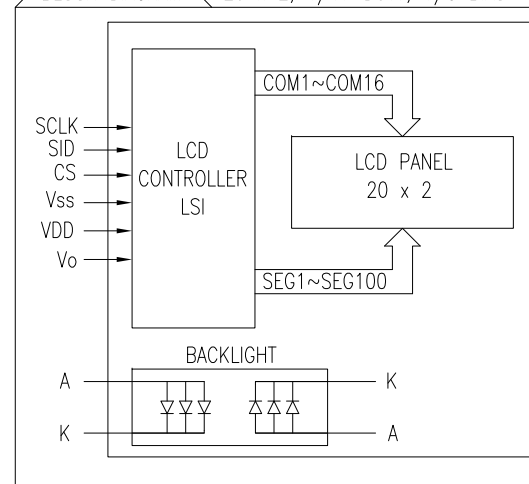
DATE:	05.07.13	DRAWN BY:	MA
PAGE:	1 OF 3	CHKD BY:	SS
SCALE:	NTS	APRVD BY:	SS
UNIT:	mm [INCH]		(Pb)

PART NUMBER	LCM-E02002DTF-U	REV.	B
DATE	E.C.N. NUMBER AND REVISION COMMENTS		REV.
02.13.07	E.C.N. #11148.		A
05.07.13	E.C.N. #10BRDR. & REDRAWN.		B

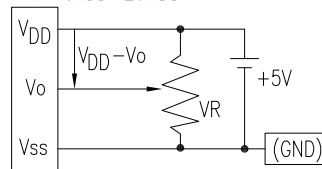
A

ELECTRICAL CHARACTERISTICS		$V_{DD}=2.7V \sim 5.5V, T_A=-30^{\circ}C \sim +85^{\circ}C$					
ITEM	SYMBOL	CONDITION	STANDARD VALUE			UNIT	
			MIN.	TYP.	MAX.		
SUPPLY VOLTAGE FOR LOGIC	$V_{DD}-V_{SS}$	-	-	5.0	-	V	
SUPPLY CURRENT FOR LOGIC	I_{DD}	$V_{DD}=3V$	-	2.0	3.0	mA	
INPUT VOLTAGE	HIGH	V_{IH}	-	$0.7V_{DD}$	-	V_{DD} V	
	LOW	V_{IL}	-	-0.3	-	0.6 V	
OUTPUT VOLTAGE	HIGH	V_{OH}	$I_{OH}=-0.205mA$	$0.75V_{DD}$	-	V	
	LOW	V_{OL}	$I_{OL}=1.6ma$	-	-	$0.2V_{DD}$ V	
LED BACKLIGHT	VOLTAGE	V_f	$I_f=120mA$	3.0	-	3.6 V	
	CURRENT	I_f	-	-	120	mA	
	POWER CONSUMPTION	PD	-	-	-	648 mW	
	LUMINOUS INTENSITY	L	$I_f=120mA$	TBA	-	-	cd/m ²
	COLOR	-	-	-	470	-	nm

BLOCK DIAGRAM 20 x 2, 1/17 DUTY, 1/5 BIAS



$V_{DD}-V_o$: LCD DRIVING VOLTAGE
 V_R : 10KΩ ~ 20KΩ



PIN CONFIGURATION				
PIN NO.	SYMBOL	LEVEL	FUNCTION	
1	V_{DD}	-	POWER SUPPLY	5V
2	V_{SS}	-		GROUND
3	V_o	-		FOR LCD DRIVE
4	\overline{CS}	H/L	CHIP SELECT SIGNAL H: CHIP DISABLED L: CHIP ENABLED	
5	SID	H/L	SERIAL INPUT DATA LINE	
6	SCLK	-	SERIAL CLOCK INPUT	
7	K	-	CATHODE	LED BACKLIGHT
8	A	-	ANODE	LED BACKLIGHT

ABSOLUTE MAXIMUM RATINGS

ITEM	SYMBOL	STANDARD VALUE		UNIT
		MIN	MAX	
POWER SUPPLY VOLTAGE	VDD	-0.3	7.0	V
POWER SUPPLY VOLTAGE	V_o	-15.0	+0.3	V
INPUT VOLTAGE	V_{in}	-0.3	3.0	V
OPERATING TEMPERATURE	T_{opr}	0	50	°C
STORAGE TEMPERATURE	T_{stg}	-20	70	°C

*UNLESS OTHERWISE SPECIFIED TOLERANCES PER DECIMAL PRECISION ARE: X=±1 (±0.039), X.X=±0.5 (±0.020), X.XX=±0.25 (±0.010), X.XXX=±0.127 (±0.005). LEAD SIZE=±0.05 (±0.002), LEAD LENGTH=±0.75 (±0.030). MIN=^{+DECIMAL PRECISION}-0.00, MAX.=^{+0.00}-DECIMAL PRECISION UNCONTROLLED DOCUMENT



425 N. GARY AVE.
 CAROL STREAM, IL 60188-4900
 PHONE: +1.800.278.5666
 FAX: +1.630.315.2152
 WEB: WWW.LUMEX.COM
 MEMBER OF ITW PHOTONICS GROUP

20x2 CHAR LCD MODULE,TN,TRANS,SERIAL INPUT,EDGE LIT BLUE LED BACKLIGHT,1/17 DUTY,1/5 BIAS,VLCD=4.5V.

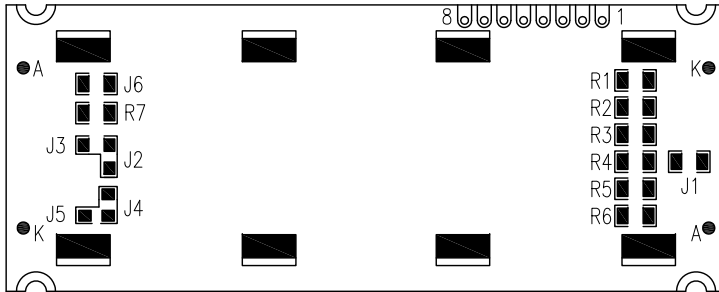
THE SPECIFICATIONS MAY CHANGE AT ANY TIME WITHOUT NOTICE DUE TO NEW MATERIALS OR PRODUCT IMPROVEMENT.

CONFIDENTIAL INFORMATION
 THE INFORMATION CONTAINED IN THIS DOCUMENT IS THE PROPERTY OF LUMEX INC. EXCEPT AS SPECIFICALLY AUTHORIZED IN WRITING BY LUMEX INC., THE HOLDER OF THIS DOCUMENT SHALL KEEP ALL INFORMATION CONTAINED HEREIN CONFIDENTIAL AND SHALL PROTECT SAME IN WHOLE OR IN PART FROM DISCLOSURE AND DISSEMINATION TO ALL THIRD PARTIES.

DATE:	05.07.13	DRAWN BY:	MA
PAGE:	2 OF 3	CHKD BY:	SS
SCALE:	NTS	APRVD BY:	SS
UNIT:	mm [INCH]		(Pb)

PART NUMBER	LCM-E02002DTF-U	REV.	B
DATE	E.C.N. NUMBER AND REVISION COMMENTS		REV.
02.13.07	E.C.N. #11148.		A
05.07.13	E.C.N. #10BRDR. & REDRAWN.		B

BACK VIEW FROM RIGHT SIDE PROJECTION



COMBINATIONS:

THE LED RESISTOR SHOULD BE BRIDGED AS FOLLOWING



THE 7TH PIN IS THE ANODE AND THE 8TH PIN IS THE CATHODE AS FOLLOWING



THE 7TH PIN IS THE CATHODE AND THE 8TH PIN IS THE ANODE AS FOLLOWING



THE METAL BEZEL IS ON GROUND AS FOLLOWING



LED POLARITY					
SYMBOL	STATE	J3, J5	J2, J4	LED POLARITY	
				7 PIN	8 PIN
J2, J4	SOLDER BRIDGE	OPEN	-	ANODE	CATHODE
J3, J5	SOLDER BRIDGE	-	OPEN	CATHODE	ANODE

*UNLESS OTHERWISE SPECIFIED TOLERANCES PER DECIMAL PRECISION ARE: X=±1 (±0.039), X.X=±0.5 (±0.020), X.XX=±0.25 (±0.010), X.XXX=±0.127 (±0.005). LEAD SIZE=±0.05 (±0.002), LEAD LENGTH=±0.75 (±0.030). MIN= ^{+DECIMAL PRECISION} MAX.= ^{+0.00} _{-0.00} DECIMAL PRECISION UNCONTROLLED DOCUMENT



425 N. GARY AVE.
CAROL STREAM, IL 60188-4900
PHONE: +1.800.278.5666
FAX: +1.630.315.2152
WEB: WWW.LUMEX.COM
MEMBER OF ITW PHOTONICS GROUP

20x2 CHAR LCD MODULE,TN,TRANS,SERIAL INPUT,EDGE LIT BLUE LED BACKLIGHT,1/17 DUTY,1/5 BIAS,VLCD=4.5V.

THE SPECIFICATIONS MAY CHANGE AT ANY TIME WITHOUT NOTICE DUE TO NEW MATERIALS OR PRODUCT IMPROVEMENT.

CONFIDENTIAL INFORMATION
THE INFORMATION CONTAINED IN THIS DOCUMENT IS THE PROPERTY OF LUMEX INC. EXCEPT AS SPECIFICALLY AUTHORIZED IN WRITING BY LUMEX INC., THE HOLDER OF THIS DOCUMENT SHALL KEEP ALL INFORMATION CONTAINED HEREIN CONFIDENTIAL AND SHALL PROTECT SAME IN WHOLE OR IN PART FROM DISCLOSURE AND DISSEMINATION TO ALL THIRD PARTIES.

DATE:	05.07.13	DRAWN BY:	MA
PAGE:	3 OF 3	CHKD BY:	SS
SCALE:	NTS	APRVD BY:	SS
UNIT:	mm [INCH]		(Pb)