



## MS85049/94 Full Perimeter Nut Plate for Flange Mount Receptacle Connector

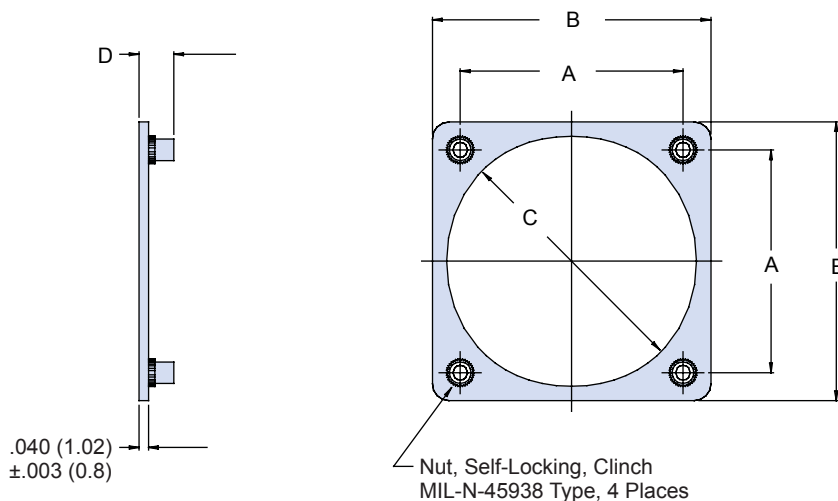
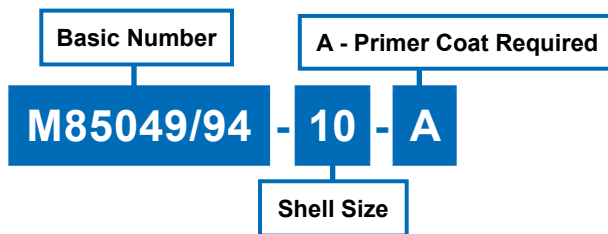


TABLE I									
Shell Size	Thread UNJC-3B	A ± .015 (0.38)		B Max.		C ± .015 (.4)		D	
8	4-40	.594	(15.1)	.900	(22.9)	.570	(14.5)	.106	(.166)
10	4-40	.719	(18.3)	1.034	(26.3)	.720	(18.3)	.106	(.166)
12	4-40	.812	(20.6)	1.119	(28.4)	.835	(21.21)	.106	(.166)
14	4-40	.906	(23.0)	1.213	(30.8)	.950	(24.13)	.106	(.166)
16	4-40	.969	(24.6)	1.295	(32.9)	1.085	(27.56)	.106	(.166)
18	4-40	1.062	(27.0)	1.421	(36.1)	1.210	(30.73)	.106	(.166)
20	4-40	1.156	(29.4)	1.550	(39.4)	1.335	(33.91)	.106	(.166)
22	4-40	1.250	(31.8)	1.680	(42.7)	1.470	(37.34)	.106	(.166)
24	6-32	1.375	(34.9)	1.800	(45.7)	1.585	(40.26)	.123	(.183)
25	6-32	1.500	(38.1)	1.910	(48.5)	1.658	(42.11)	.123	(.183)

