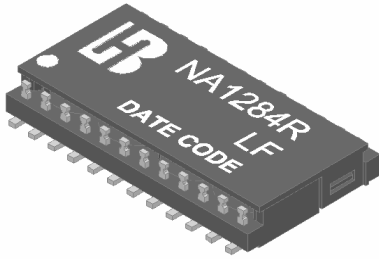


# 10/100 BASE-T PC CARD LAN MAGNETICS SOLUTIONS

## P/N: NA1284R LF DATA SHEET

### Feature

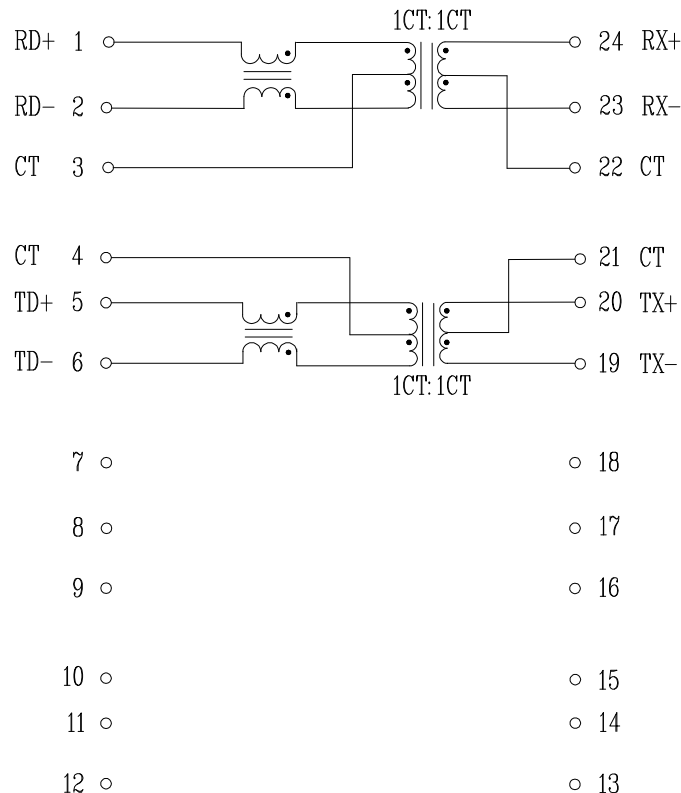


- Half port and single port designs for maximum layout flexibility.
- Greater than 350 uH(100KHz) at DC current Bias 8mA.
- Comply with ROHS & Halogen Free requirements.
- Operating temperature range: 0°C to +70°C.
- Storage temperature range: -25°C to +125°C.

Electrical Specifications @ 25°C						
Part Number	Turns Ratio (±3%)		OCL (uH Min) @100KHz/0.1V	Cw/w (pF Max)	L.L (uH Max)	HI-POT (Vrms)
	TX	RX				
NA1284R LF	1CT:1CT	1CT:1CT	350	25	0.4	1500

Continue								
Part Number	Insertion Loss (dB Max)	Return Loss (dB Min)				Cross talk (dB Min)	DCMR (dB Min)	
		1-30MHz	40-50MHz	60-80MHz	100MHz		1-100MHz	1-60MHz
NA1284R LF	-1.0	-18	-16	-12	-10	-38	-35	-33

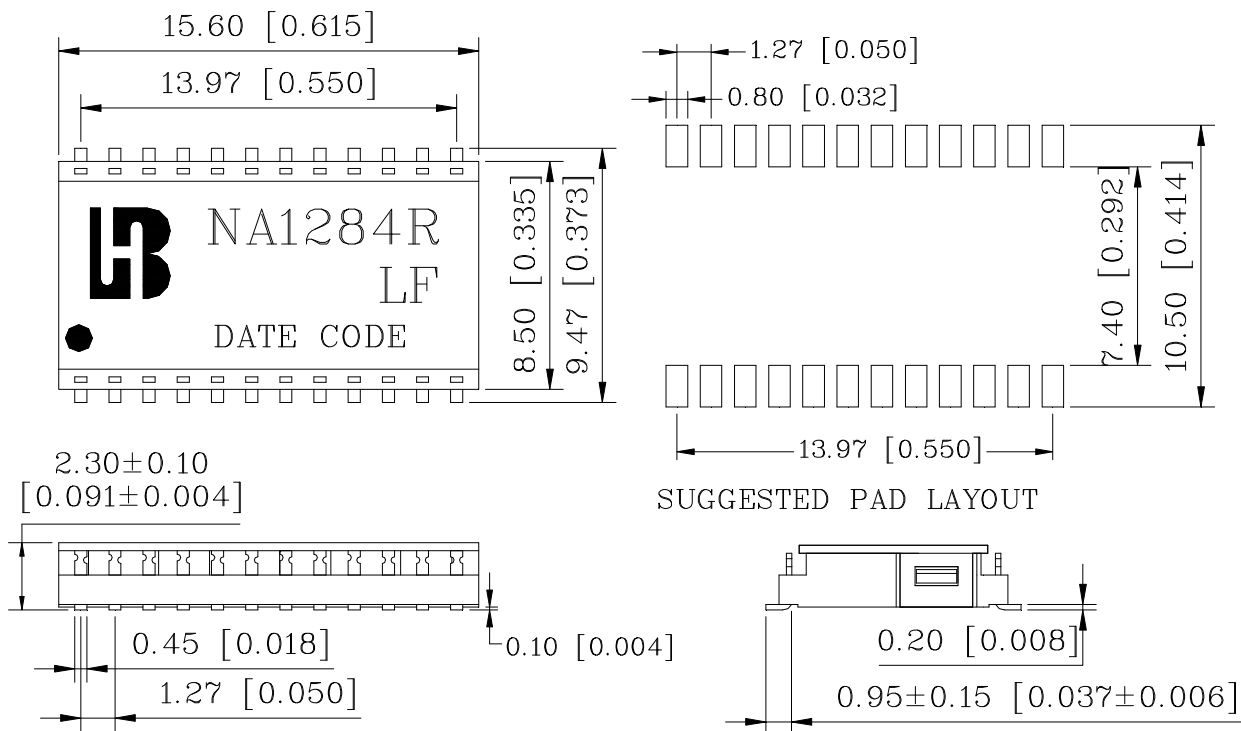
### Schematic



# 10/100 BASE-T PC CARD LAN MAGNETICS SOLUTIONS

## P/N: NA1284R LF DATA SHEET

### Mechanical



Units: mm[Inches]      Tolerances XX.X0: ±0.25[0.010]

0.XX: ±0.05[0.002]