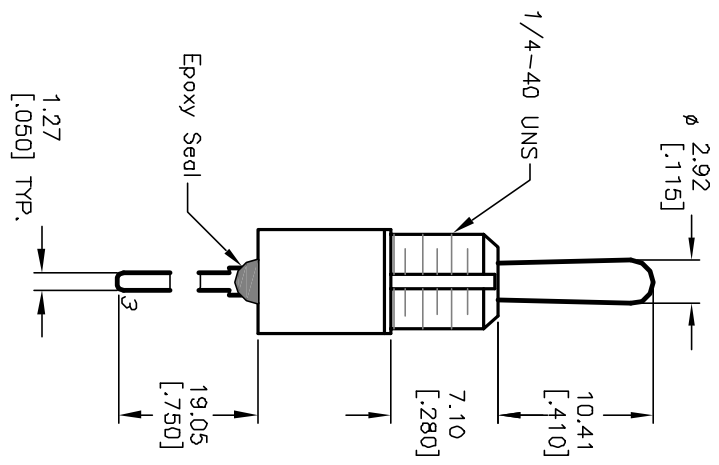
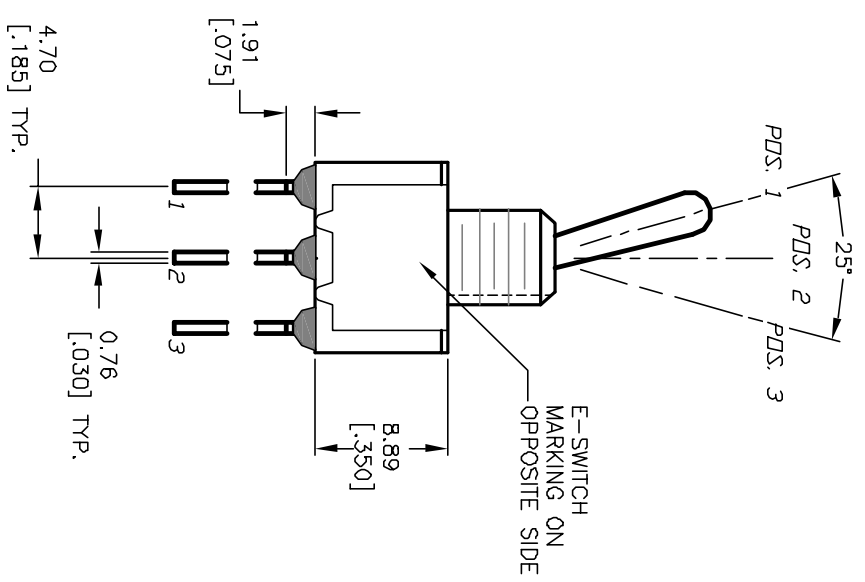
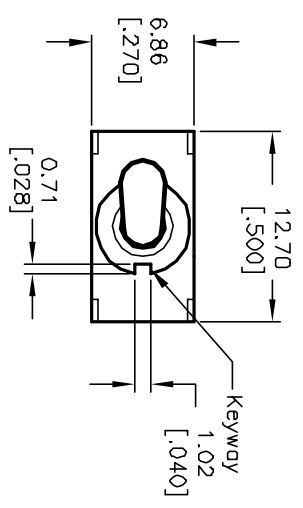


| SWITCH FUNCTION | | |
|-----------------|--------|--------|
| POS. 1 | POS. 2 | POS. 3 |
| DN | NONE | DN |
| 2-3 | DPEN | 2-1 |

- NOTES:
1. ALL DIMENSIONS IN MM [INCH]
 2. GENERAL TOLERANCE: X.X=±0.4
X.XX=±0.25
 3. TERM. NDS. FOR REF. ONLY
 4. RATING: 5A @120VAC or 28VDC;
2A @250VAC
 5. FIXED TERMINAL/MOVING CONTACT:
Copper Alloy W/Silver Plate.
 6. ELECTRICAL LIFE: 50,000 make-and-break
cycles at full load.
 7. INSULATION RESISTANCE: 1,000M ohm min.
 8. DIELECTRIC STRENGTH: 1000V RMS @sea level
 9. OPERATING TEMP.: -30°C to +85°C



| | | | | |
|------|---------|-------------------------|---------|-------|
| REV. | ECN No. | DESCRIPTION | DATE | CHK'D |
| A | 12283 | RELEASED FOR PRODUCTION | 7/02/02 | CJB |

| | | | | | |
|-------------------------|-------|--------|-----|---------|-----|
| TITLE | SCALE | DATE | DR | DWG | REV |
| 100 SP-1 T1 B1 MS-1 Q E | 2:1 | 7/2/02 | CJB | T112020 | A |

E-SWITCH®

THE INFORMATION CONTAINED IN THIS DOCUMENT IS PRELIMINARY. E-SWITCH AND IS NOT TO BE COPIED OR TRANSMITTED.