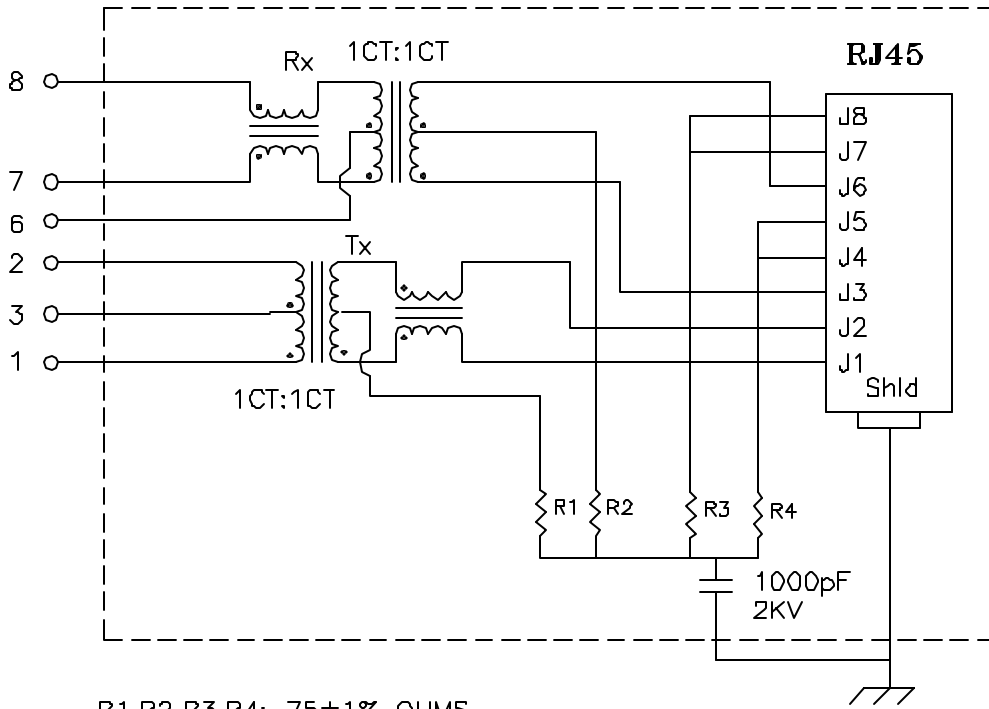


## Schematic:



R1,R2,R3,R4: 75±1% OHMS

## Electrical Specifications: @25°C

Isolation Voltage: 1500Vrms(INPUT to OUTPUT), 500Vrms(Tx to Rx)

UTP SIDE OCL: 350uH Min @100KHz 100mV 8mA DC

Rise Time (10-90%): 2.5ns Typical

Insertion Loss (1MHz-65MHz): -1.0dB Maximum

Return Loss: -18dB Typ. @30MHz

-12dB Typ. @80MHz

Crosstalk:

300KHz-60MHz -40dB Typical

60MHz-100MHz -38dB Typical

Common Mode to Differential Mode Rejection:

300KHz-60MHz -45dB Typ (Tx) / -40dB Typ (Rx)

60MHz-100MHz -40dB Typ (Tx) / -35dB Typ (Rx)

Q: 18 Min @100KHz 100mV

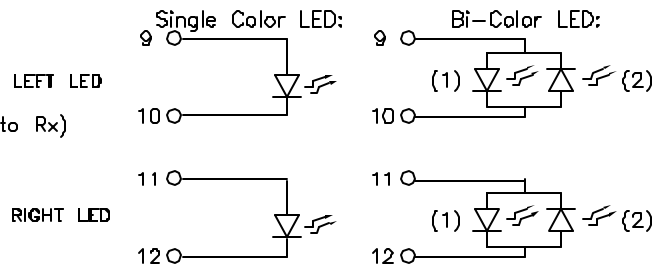
### Notes:

- Solderability: Leads shall meet MIL-STD-202G, Method 208B for solderability.
- Flammability: UL94V-0
- ASTM oxygen Index: > 28%
- UL Recognized Component: File Number E165866
- Operating Temperature Range: All listed parameters are to be within tolerance from -40°C to +85°C
- Storage Temperature Range: -55°C to +125°C
- Aqueous wash compatible
- Electrical and mechanical specifications 100% tested
- RoHS Compliant Component

DOC. REV: A/2

**PROPRIETARY:**

Document is the property of XFMRS Group & is not allowed to be duplicated without authorization.



Complete the Combo P/N as follows:

Replace 'x' & 'u' in the part number with one of the LED color letters:

Y=Yellow

G=Green

A=Amber

R=Red

C=Green(1)/Amber(2) Bicolor

D=Amber(1)/Green(2) Bicolor

M=Green(1)/Yellow(2) Bicolor

N=Yellow(1)/Green(2) Bicolor

P=Red(1)/Green(2) Bicolor

Q=Green(1)/Red(2) Bicolor

Single Color LED:

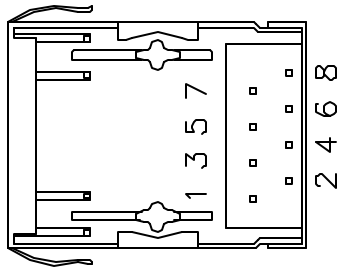
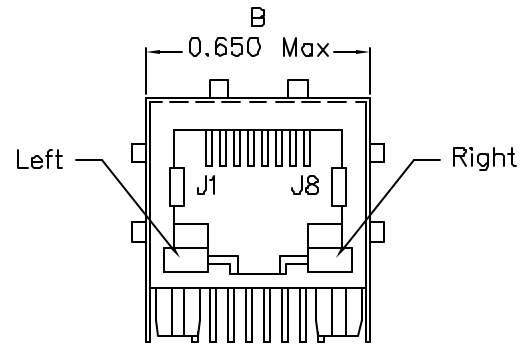
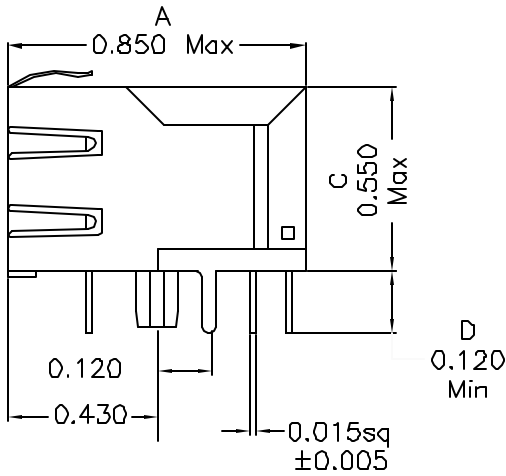
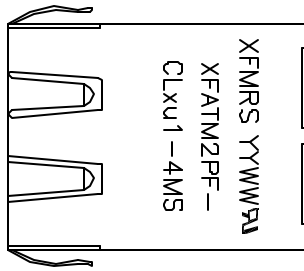
Bi-Color LED:

(1) (2)

(1) (2)

<b>XFMRS Inc.</b> <a href="http://www.XFMRS.com">www.XFMRS.com</a>	Title: <b>Single Port Combo w/LEDs</b>		
	UNLESS OTHERWISE SPECIFIED TOLERANCES: .xxx ±0.010 Dimensions in Inch	P/N: XFATM2PF-CLxu1-4MS	REV. A
SHEET 1 OF 2	DWN.	Feng	Aug-01-11
	CHK.	YK Liao	Aug-01-11
	APP.	Joe Huff	Aug-01-11

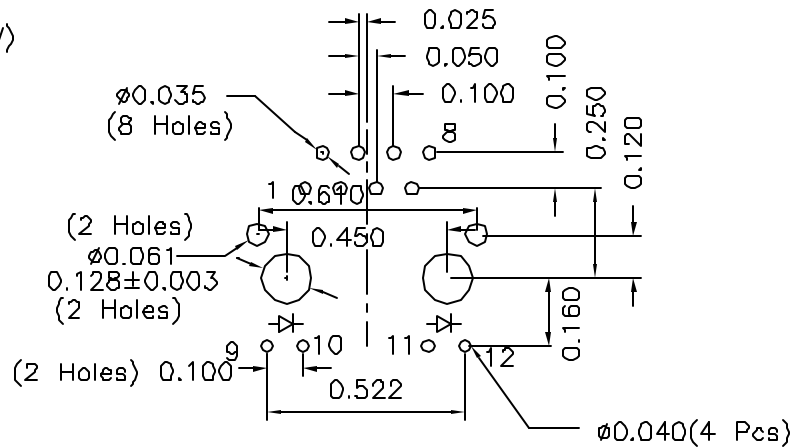
**Mechanical Dimensions:**



(BOTTOM VIEW)

**Mounting Pattern:**

(COMP SIDE)



DOC. REV: A/2

**PROPRIETARY:**

Document is the property of XFMRS Group & is not allowed to be duplicated without authorization.

<b>XFMRS Inc.</b> www.XFMRS.com		Title: Mechanical Dimensions For CLxu1-4MS Series	
UNLESS OTHERWISE SPECIFIED TOLERANCES: .xxx ±0.010 Dimensions in Inch	P/N: XFATM2PF-CLxu1-4MS	REV. A	
	DWN.	Feng	Aug-01-11
	CHK.	YK Liao	Aug-01-11
	APP.	Joe Huff	Aug-01-11
SHEET 2 OF 2			