

PLEASE CHECK WWW.MOLEX.COM FOR LATEST PART INFORMATION

Part Number: [0731580031](#)
Status: **Active**
Overview: Multi-Port RF (MPRF) Coaxial Cable-to-Board Solutions
Description: 50 Ohms, MPRF Plug, Standard, Right Angle, with Retention Clip, RG-316

Documents:

[Drawing \(PDF\)](#) [RoHS Certificate of Compliance \(PDF\)](#)

General

Product Family	RF/Coax Connectors
Series	73158
Overview	Multi-Port RF (MPRF) Coaxial Cable-to-Board Solutions
Product Name	MPRF
Style	Cable
UPC	887191702896
Wire/Cable Type	RG-316

Physical

Cable Attachment	Crimp
Gender	Plug
Keying to Mating Part	None
Net Weight	1.165/g
Orientation	Right Angle
PCB Mounting	N/A
Packaging Type	Tray
Panel Mount	No
Panel Mount Method	N/A

Electrical

Impedance	50#
-----------	-----

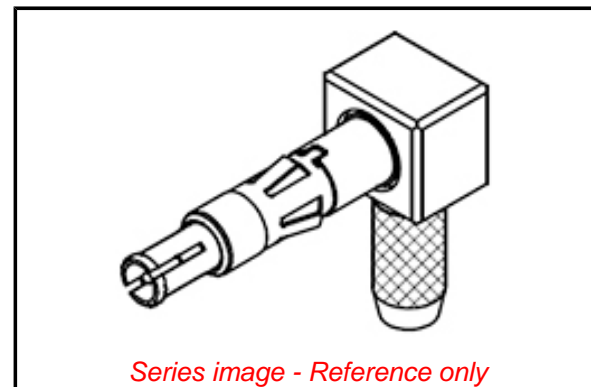
Solder Process Data

Lead-freeProcess Capability	N/A
-----------------------------	-----

Material Info

Reference - Drawing Numbers

Sales Drawing	SD-73158-003
---------------	--------------



Series image - Reference only

EU ELV

Not Relevant

EU RoHS

Compliant with Exemption 6(c)

REACH SVHC

Not Contained Per - ED/21/2016 (20 June 2016)

Halogen-Free

Status

Low-Halogen

Need more information on product environmental compliance?

Email productcompliance@molex.com
Please visit the [Contact Us](#) section for any non-product compliance questions.

China ROHS

50 Image

ELV

Not Relevant

Search Parts in this Series

[73158 Series](#)