

KR Electronics, Inc.

General Description

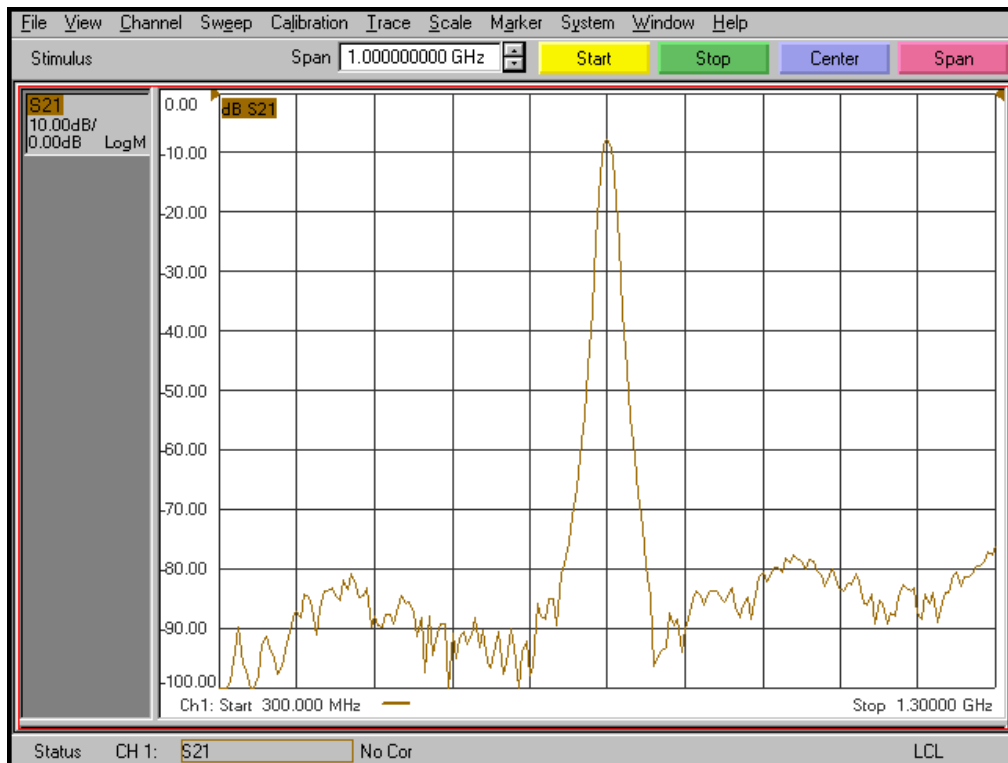
KR Electronics part number 3176 is a 800 MHz bandpass filter. The filter has a 3 dB bandwidth of 16 MHz. Other center frequencies and bandwidths are available. Please consult the factory.

Features

- 800 MHz Bandpass Filter
- 16 MHz 3 dB Bandwidth
- 50 Ω Source and Load
- Surface Mount
- SMA Connectors Available

Typical Performance

Overall Response (10 dB/div)

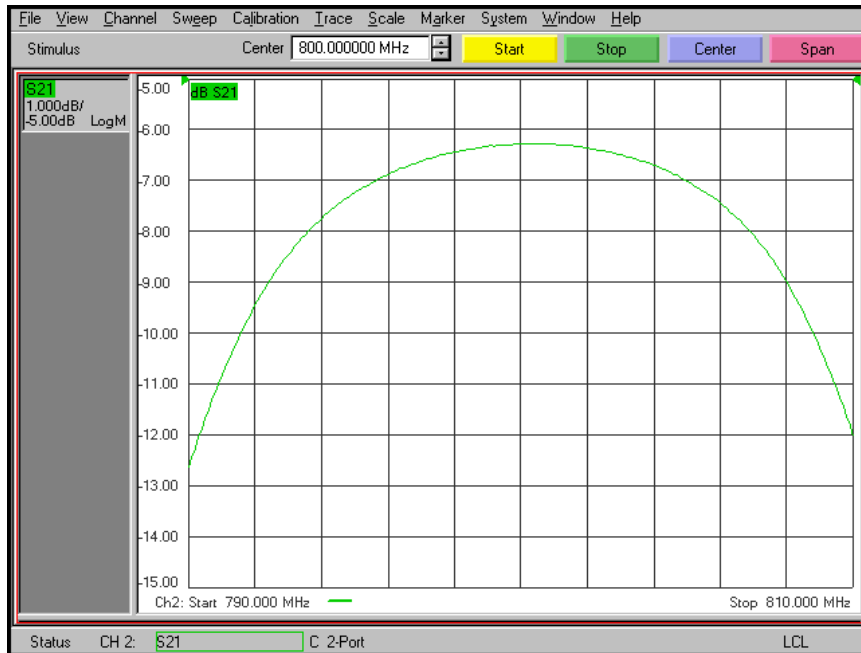


KR Electronics, Inc.
91 Avenel Street
Avenel, NJ 07001

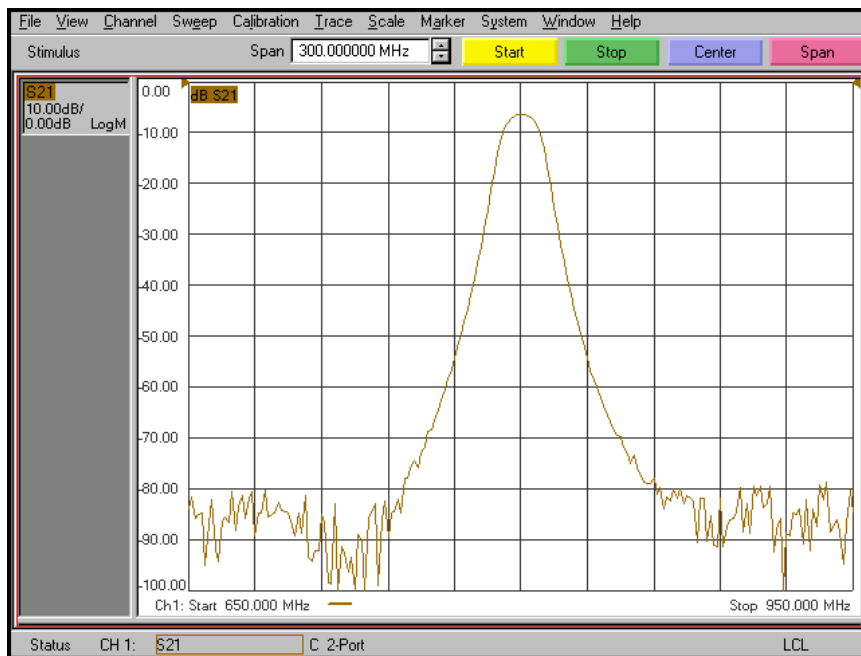
Web www.krfilters.com
Email sales@krfilters.com
Phone (732) 636-1900
Fax (732) 636-1982

Typical Performance

Passband Amplitude
(1 dB/div)



Overall Response
(10 dB/div)



KR Electronics, Inc.
91 Avenel Street
Avenel, NJ 07001

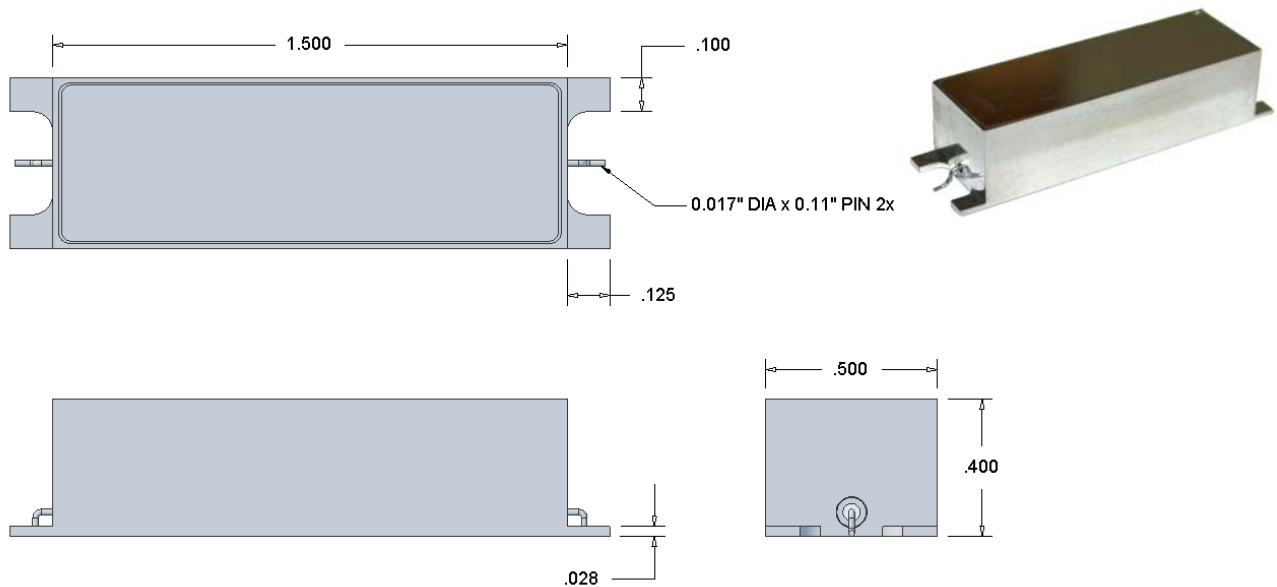
Web www.krfilters.com
Email sales@krfilters.com
Phone (732) 636-1900
Fax (732) 636-1982

KR Electronics 3176

Specifications

| Parameter | Specification | Notes |
|----------------------|----------------|-----------------|
| Filter type | Bandpass | 5 Pole |
| Center Frequency Fc | 800 MHz | |
| Insertion Loss at Fc | 7.5 dBa max | 6.5 dBa typical |
| 1 dBc Bandwidth | 11 MHz typical | |
| 3 dBc Bandwidth | 16 MHz ±5% | |
| 20 dBc Bandwidth | 31 MHz typical | |
| 40 dBc Bandwidth | 50 MHz typical | |
| 60 dBc Bandwidth | 80 MHz typical | |
| Source and Load | 50 Ω | |

Physical Dimensions



Notes:

1. Dimensions in inches
2. Rectangular case surface mount

KR Electronics, Inc.
91 Avenel Street
Avenel, NJ 07001

Web www.krfilters.com
Email sales@krfilters.com
Phone (732) 636-1900
Fax (732) 636-1982