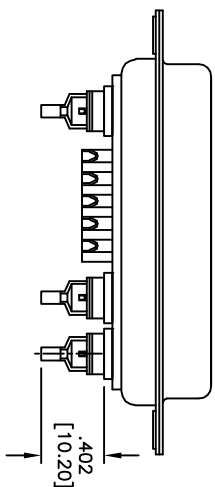
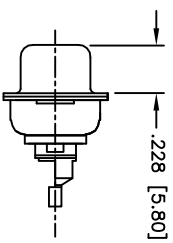
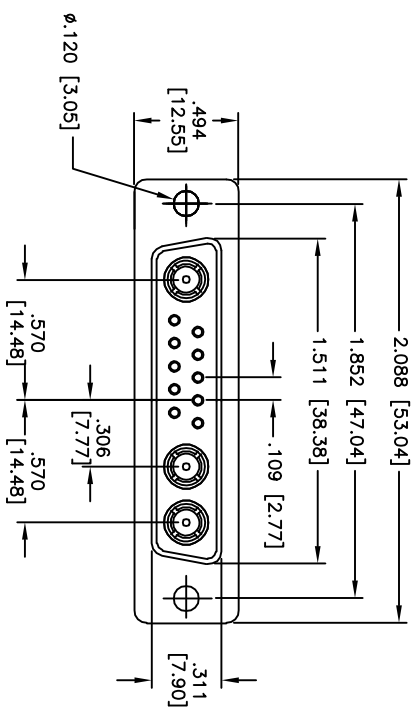


Rev	AWO #	Description	Date	Appr
-		RELEASED	12/23/10	

APPROVED: _____
 DATE: _____ TITLE: _____



ADAM TECH PART NO.	CURRENT RATING
D13W3-SD-1-1	50 Ohm
D13W3-SD-2-1	75 Ohm

SPECIFICATIONS:

Material: Thermoplastic, glass reinforced, rated UL 94V-0
 Insulator color: Black
 Contacts: Brass
 Shell: Steel, Tin plated
 Hardware: Brass, Nickel plated
 Plating: Gold flash over Nickel underplate overall
 Electrical:
 Operating voltage: 250 VAC max
 Contact resistance: 10 mohms max
 Insulation resistance: 5,000 Mohms min
 Dielectric withstanding voltage: 1,000 VAC for 1 minute
 Temperature Rating: Operating temperature: -55°C to +125°C
 Environmental: Lead free, RoHS compliant



ADAM TECH

909 Rahway Avenue, Union, NJ 07083
 Phone: 908-687-5000 Fax: 908-687-5710

TITLE: D-SUB COAX SOCKET, D13W3, STRAIGHT,
 SOLDER TYPE

UNLESS OTHERWISE SPECIFIED ALL DIMENSIONS ARE INCHES [MM] TOLERANCES: EXCEPT AS NOTED INCHES		HOLE SIZE		DATE	
.X	± .10	ØXX	± .10		
.XX	± .020	ØXXX	± .015		
.XXX	± .015	ØXXXX	± .010		
DRAWN AY		12/23/10		SIZE PART NO.	
CHECKED VW		12/23/10		D13W3-SD-X-1	
APPROVED		REF: S0009T		SCALE: NTS	
				SHEET 1 OF 1	

6 5 4 3 2 1