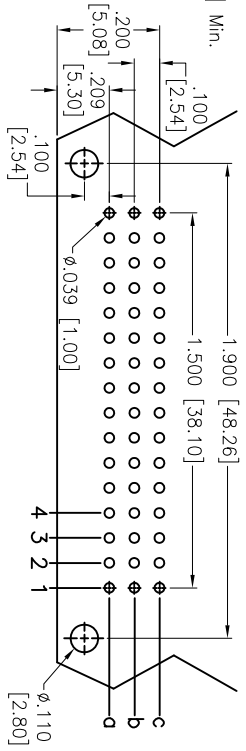
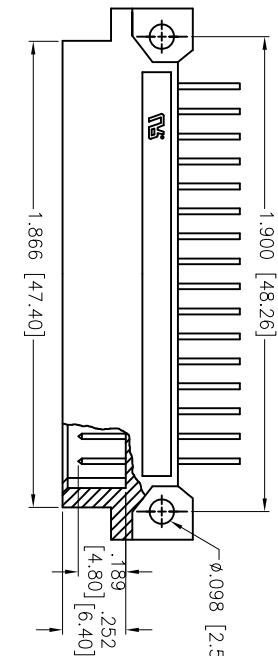
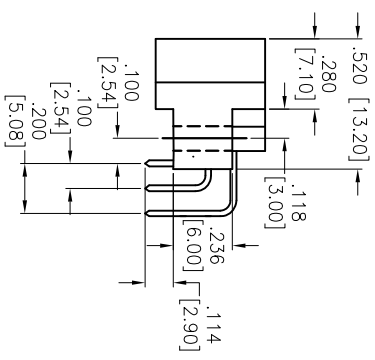
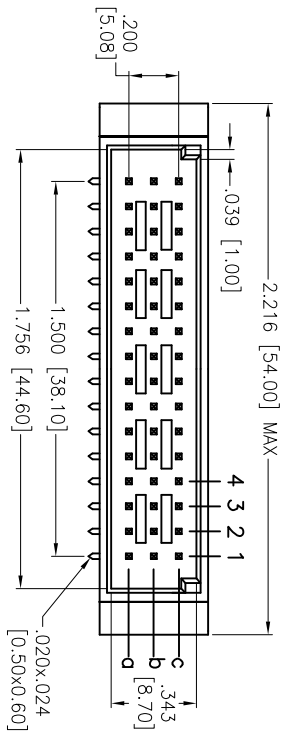


APPROVED: _____
 DATE: _____ TITLE: _____

Rev	AWO #	Description	Date	Appr
-		RELEASED	04/14/05	
A		REDRAWN	11/09/11	



RECOMMENDED PCB LAYOUT



"X"	PLATING	CLASS
1	30 u" Gold	1
2	15 u" Gold	2
3	Gold Flash	3

SPECIFICATIONS:
 Material: Insulator: Thermoplastic Polyester, glass reinforced, rated UL 94V-0
 Insulator color: Beige
 Contacts: Copper Alloy
Plating:
 Gold over Nickel underplate on contact area,
 Tin over Copper underplate on solder tails.
 (See chart for thickness)
Electrical:
 Operating voltage: 500 VAC max
 Current rating: 2 Amps max
 Contact resistance: 20 mohms max @ DC 100mA
 Insulation resistance: 1,000 Mohms min @ 500 VDC
 Dielectric withstanding voltage: 1,000 VAC for 1 minute
Temperature Rating:
 Operating temperature: -55C to +125C
 Environmental:
 Lead free, RoHS compliant.

ADAM TECH
 909 Ratway Avenue, Union, NJ 07083
 Phone: 908-687-5000 Fax: 908-687-5710

ADAM TECH
 909 Ratway Avenue, Union, NJ 07083
 Phone: 908-687-5000 Fax: 908-687-5710
 TITLE: DIN TYPE 1/2 C MALE, 48 PIN,
 3 ROW RIGHT ANGLE

UNLESS OTHERWISE SPECIFIED
 ALL DIMENSIONS ARE IN INCHES [MM]
 TOLERANCES: EXCEPT AS NOTED
 INCHES HOLES
 .X ± .10 Ø.X ± .10
 .XX ± .020 Ø.XX ± .015
 .XXX ± .015 Ø.XXX ± .010

APPROVALS	DATE
DRAWN	SS
CHECKED	
APPROVED	

SIZE	PART NO.	REV.
X	DIN-48MR-S33-A1CX	A

REF: S00038T SCALE: NTS SHEET 1 OF 1

